

LED DOWNLIGHT

Model No. DLC4G-9W105se

The Euri Lighting **DLC4G-9W105se** Gimbal Downlight, 5CCT selectable, recessed downlight is designed to give you the option between 2700K/3000K/3500K/4000K/5000K all conveniently in one downlight. Its spring-action clips allow for easy, hassle-free installation with no need for housing, reducing maintenance worries. At 650 Lumens and 9 Watts (65 Watt equivalent) input power, the 4" gimbal downlight has an average of 50,000 hours of life and is ENERGY STAR and T24 certified. The **DLC4G-9W105se** is IC Rated, recessed and best suited for low residential ceilings working on AC 120V. Its edge-lit LED technology guarantees a long life of uniform light distribution.



65W

REPLACEMENT

9 Watts

5CCT Selectable

Dimmable (Triac)

Abutted and Covered

90+ CRI

Wet Rated

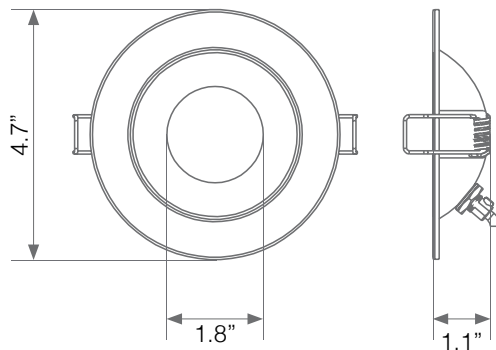
Electrical Specifications

Model No.	Input Power	Input Voltage	Lumen Output	Beam Angle	Center Beam	CCT
DLC4G-9W105se	9 W	120 V	650 lm	45°	N/A	2700/3000/3500 4000/5000K
CRI	Luminous Efficacy	Power Factor	Input Current	Base	Lamp Lifespan	Estimated Yearly Cost
90+	72 lm/W	0.9	0.078 A	Junction Box	50,000 Hrs.	\$ 1.08

Mechanical Specifications

Rating	Operational Temperature	Inner Box QTY.	Master Box QTY.	Dimensions(in.)	UPC Code
Wet Rated	-4°F - 104°F	1 pc	24 pcs	4.7"(Ø) x 1.1"(H)	811174037101

Product Dimensions



Product Photometric Data

