

LED LIGHT ENGINE

Model No. EMP-2000cec-15

LED **EMP-2000cec-15** made for seamless light output and hassle-free installation, LED modules are perfect for new or existing light fixtures. Once your existing incandescent, fluorescent or LED-integrated light fixture burns out, simply retrofit this MPLR (multi-purpose LED retrofit) into the fixture's housing. By offering easy, toolless installation, installing this LED module is as simple as screwing in a light bulb. Installing this MPLR eliminates the chore of replacing existing LED fixtures and retrofits incandescent fixtures while reducing unsightly hot spots. For optimal light output, Euri Lighting recommends retrofitting fixtures 4" or less in diameter.



MPLR
(multi-purpose LED retrofit)

N/A
REPLACEMENT

15W

15 Watts

**3000K
5000K**

3CCT Selectable

**90+
CRI**

90+ CRI

**Dimmable
(Using Triac)**

Dimmable
(Using Triac)

Damp Rated

Damp Rated

**Easy and Fast
Installation**

Easy and Fast
Installation

Electrical Specifications

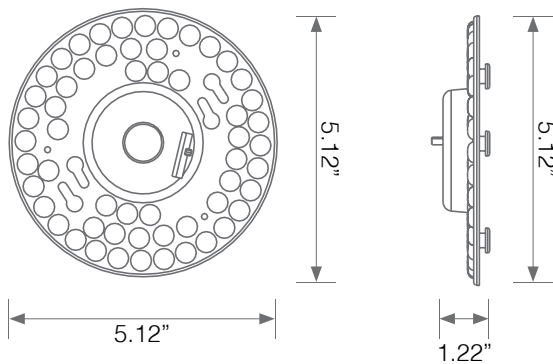
Model No.	Input Power	Input Voltage	Lumen Output	Beam Angle	Center Beam	CCT
EMP-2000cec-15	15 W	120 V	1350 lm	110°	N/A	3000/4000/5000 K

CRI	Luminous Efficacy	Power Factor	Input Current	Base	Lamp Lifespan	Estimated Yearly Cost
90+	90 lm/W	0.9	0.14 A	Hardwire	50,000 Hrs.	\$ 1.80

Mechanical Specifications

Rating	Operational Temperature	Inner Box QTY.	Master Box QTY.	Dimensions(in.)	UPC Code
Damp Rated	13°F - 113°F	N/A	24 pcs	5.12"(ø) x 1.22"(H)	811174036760

Product Dimensions



Product Photometric Data

