



HB-LED-2B-215PS-8CSD-P

2' LED HIGH BAY



Compact 215W LED High Bay Fixture; 120–277V Input, 0–10V Dimming

DESCRIPTION

2' LED High Bay Fixture | 120–277V Input | Frosted Lens | 0–10V Dimming | Premium Series

APPLICATION

Used for commercial and industrial high bay lighting applications

PRODUCT FEATURES

- Architectural grade compact design
- Includes screw-in receptacle for easy sensor and control installation
- Compatible with emergency LED drivers; mounting kit required (sold separately)
- Powered by 0-10V dim-to-off driver with 12VDC, 200mA AUX output
- Frosted lens eliminates glare
- Smooth diffused lens for an even appearance
- Compatible with 480–277V step down transformers
- Built in port to accept Quick install sensor, NO wiring required
- V-hook and chain mounting accessories included
- UL Certified for Dry and Damp Locations
- Ambient operating temperature: –40°C/–4°F to 50°C/122°F
- THD: < 20%
- PF: > 0.95
- LED chip lifetime: L70 >50,000 hrs @ 25C°/77F° ambient fixture temp.



POWER AND COLOR TEMPERATURE SELECTABILITY

- CCT Selectable Technology: Adjustable CCT (4000K/5000K)
- Wattage Selectable Technology: Adjustable Wattage (215W/175W/135W)



* Preset to highest lumen output (215W / 5000K)
 * Color Uniformity: CCT (Correlated Color Temperature) range as per guidelines outlined in ANSI C78.377-2017.

PRODUCT SPECIFICATIONS

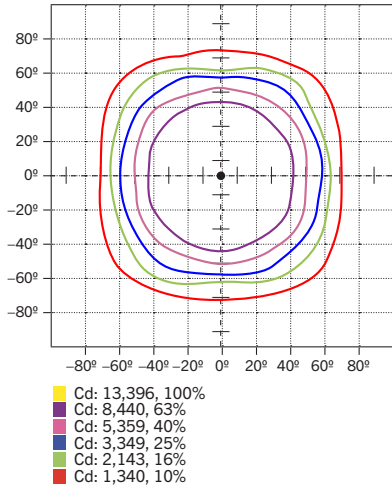
Catalog Number	Input Voltage	Wattage	CCT	Lumen Output	Efficacy	CRI	Power Factor	Lifetime
HB-LED-2B-215PS-8CSD-P	120–277V	215W	4000K	30,600	142 lm/W	> 80	> 0.90	50,000 hrs
			5000K					
		175W	4000K	26,000	149 lm/W			
			5000K					
		135W	4000K	20,900	155 lm/W			
			5000K					

HB-LED-2B-215PS-8CSD-P

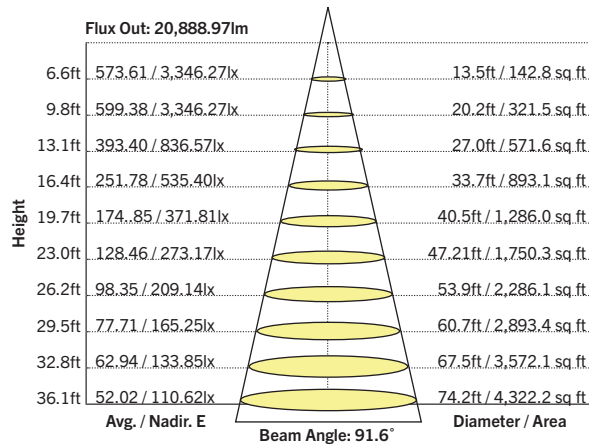
2' LED HIGHBAY

PHOTOMETRIC SPECIFICATIONS

ISOCANDELA PLOT



AVERAGE ILLUMINANCE



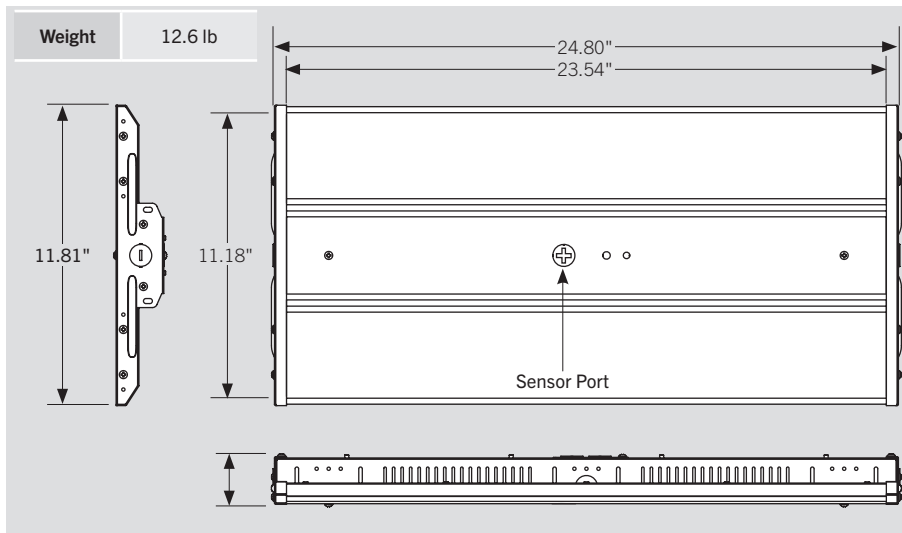
ZONAL LUMEN SUMMARY

Zone	Lumens	% Luminaire
0-60	27,071	88%
60-90	3,353	11%
0-90	30,424	100%

ORDERING INFORMATION

Catalog Number	Pack Quantity	Easy Code	UPC
HB-LED-2B-215PS-8CSD-P	1	JIF-88	843654134390

PHYSICAL SPECIFICATIONS



ACCESSORIES

CATALOG NUMBER	DESCRIPTION	ADDITIONAL INFORMATION
KTS-12V-12V-FSD	Surface mount kit for 2' LED High Bay fixtures	
KTS-12V-12V-FSD	Pendant mount kit for 2' LED High Bay fixtures	
KTS-12V-12V-FSD	Adjustable cable hanging kit for 2' LED High Bay fixtures	
KTS-12V-12V-FSD	Wire gasket kit for 2' LED High Bay fixtures	
KTS-12V-12V-FSD	Emergency LED backup mounting bracket kit for 2' LED High Bay fixtures	
KTS-12V-12V-FSD	Cord set for LED High Bay fixtures, 100W NEMA 5-15P, weight double plug, 10' SUTOW cable, 10:1 wire	
KTS-12V-12V-FSD	Cord set for LED High Bay fixtures, 100W NEMA 5-15P, weight double plug, 10' SUTOW cable, 10:1 wire	
KTS-12V-12V-FSD	Cord set for LED High Bay fixtures, 100W NEMA 5-15P, weight double plug, 10' SUTOW cable, 10:1 wire	
KTS-12V-12V-FSD	Cord set for LED High Bay fixtures, 100W NEMA 5-15P, weight double plug, 10' SUTOW cable, 10:1 wire	
KTS-12V-12V-FSD	Cord set for LED High Bay fixtures, 100W NEMA 5-15P, weight double plug, 10' SUTOW cable, 10:1 wire	
KTS-12V-12V-FSD	Cord set for LED High Bay fixtures, 100W NEMA 5-15P, weight double plug, 10' SUTOW cable, 10:1 wire	
KTS-12V-12V-FSD	Cord set for LED High Bay fixtures, 100W NEMA 5-15P, weight double plug, 10' SUTOW cable, 10:1 wire	
KTS-12V-12V-FSD	Cord set for LED High Bay fixtures, 100W NEMA 5-15P, weight double plug, 10' SUTOW cable, 10:1 wire	



CATALOG NUMBER	DESCRIPTION
KTS-12V-12V-FSD	Screw in PIR Sensor, Bi-level dimming, daylight sensing, and high-end trim.
KTS-12V-12V-FSD	Screw in Microwave Sensor, Bi-level dimming, daylight sensing, and high-end trim.
KTS-12V-12V-FSD	Remote control for KTS-12V-12V-FSD (A or B) and KTS-12V-12V-FSD (A or B) sensors. Used to set and adjust all sensor settings.
KTS-12V-12V-FSD	SmartLoop Bluetooth Mesh Wireless Sensor in Fixture Controller with Integrated Sensor



CATALOG NUMBER	DESCRIPTION
KT-EMRG-LED-100-EN /DF	100 1000 lumen Smart Safe emergency backup with dual flux cables.
KT-EMRG-LED-100-1000-EN /DF	10W 1000 lumen Smart Safe emergency backup with dual flux cables.
KT-EMRG-LED-2000-2000-EN /DF	20W 2000 lumen Smart Safe emergency backup with dual flux cables, self-diagnostic.

