

ProLED® Linear LED High Bay Installation Instructions



IMPORTANT

READ INSTRUCTIONS CAREFULLY BEFORE INSTALLING. KEEP THESE INSTRUCTIONS FOR FUTURE REFERENCE.

ProLED® fixtures must be wired in accordance with the National Electrical Code and all applicable local codes. Proper grounding is required for safety. THIS PRODUCT MUST BE INSTALLED IN ACCORDANCE WITH THE APPLICABLE INSTALLATION CODE BY A QUALIFIED ELECTRICIAN WHO IS FAMILIAR WITH THE CONSTRUCTION AND OPERATION OF THE PRODUCT AND THE HAZARDS INVOLVED.

WARNING - Risk of fire or electric shock.

- Turn off electrical power at fuse or circuit breaker box before wiring fixture to the power supply.
- Turn off the power when you perform any maintenance.
- Verify that supply voltage is correct by comparing it with the luminaire label information.
- Make all electrical and grounded connections in accordance with the National Electrical Code and any applicable local code requirements.
- All wiring connections should be capped with UL approved wire connectors.

CAUTION: RISK OF INJURY

- Wear gloves and safety glasses at all times when removing luminaire from carton, installing, servicing or performing maintenance .
- Avoid direct eye exposure to the light source while it is on.
- Account for small parts and destroy packing material, as these may be hazardous to children.

RISK OF FIRE

- Keep combustible and other materials that can burn away from luminaire and lamp/lens.
- MIN 90°C SUPPLY CONDUCTORS .

IMPORTANT SAFETY INFORMATION:

CAUTION: This luminaire must be wired in accordance with the National Electric Code and applicable local codes and ordinances. Proper grounding is required for safety.

CAUTION: Installation and servicing of this luminaire should be performed by qualified personnel only.

CAUTION: Do not use this product for other than intended use. To prevent early product failure, luminaire should only be used in operating environments ranging from -40°C (-40°F) to 50°C (122°F).

Cleaning and Maintenance:

Caution: Do not clean or maintain while the luminaire is energized. Check that the luminaire temperature is cool enough to touch. Periodically check and remove any accumulated dirt or debris from the lens and around luminaire.

- 1) Clean lens with non-abrasive glass cleaning solution.
- 2) Do not open the luminaire to clean the LEDs. Do not touch the LEDs.

Replacement Parts:

Contact your sales representative for replacement part availability or contact Halco Customer Care at 800.677.3334.

General Wiring Diagram

WARNING:

All units must be individually connected to the AC Supply:

WARNING - All units must be connected to ac power supply:

Select appropriate access point for your installation, remove knockout, and feed power leads through hole.

Connect the supply wire from the source to the driver.

Black = Line White = Neutral Green = Ground

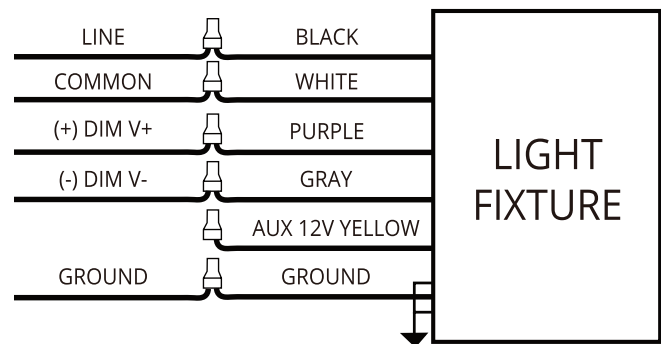
**Consult with dimmer control manufacturer's wiring instructions.

Operating Characteristic

Voltage input: 120-277V 50/60 Hz

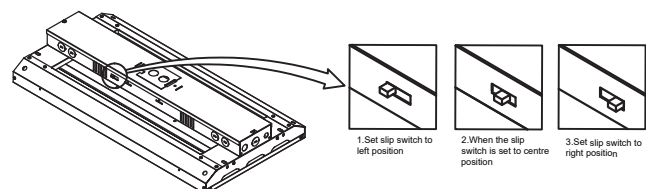
Operating temp: -40°F (-40°C) to 122°F (50°C)

**Consult with dimmer control manufacturer's wiring instructions



Schematic of Wattage adjustment (3 set positions, see right Fig.)

	Model	Left Position	2nd Position (From left to right)	3rd Position (From left to right)
1	LHB-1-WS-40-U LHB-1-WS-50-U	70W	90W	110W
2	LHB-2-WS-40-U LHB-2-WS-50-U	110W	135W	160W
3	LHB-3-WS-40-U LHB-3-WS-50-U	180W	200W	220W
4	LHB-4-WS-40-U LHB-4-WS-50-U	240W	280W	320W

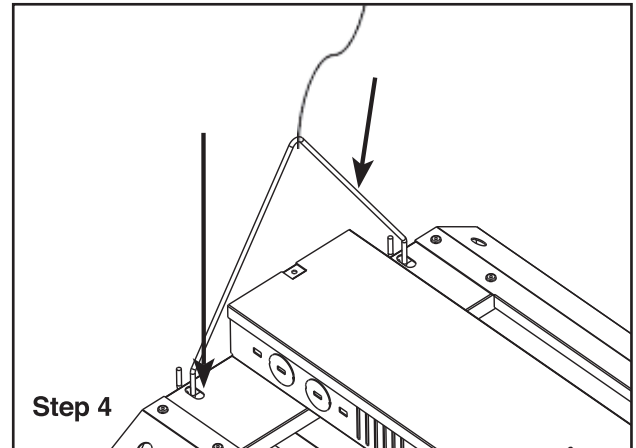
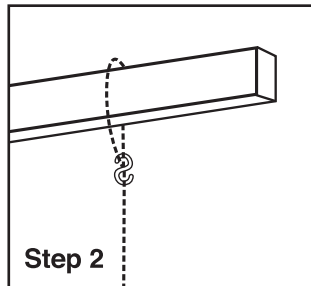
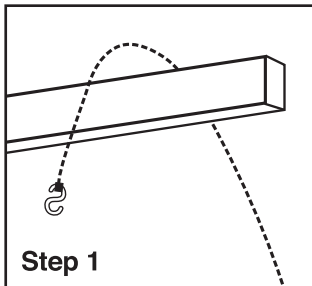


MOUNTING INSTRUCTIONS

A: For V-Hook and Chain Mounting

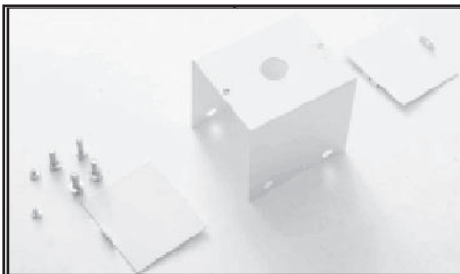
Before installation, ensure if power supply is disconnected. Cables must be connected in accordance to instruction and proper standing rules.

Using Hook and Chain

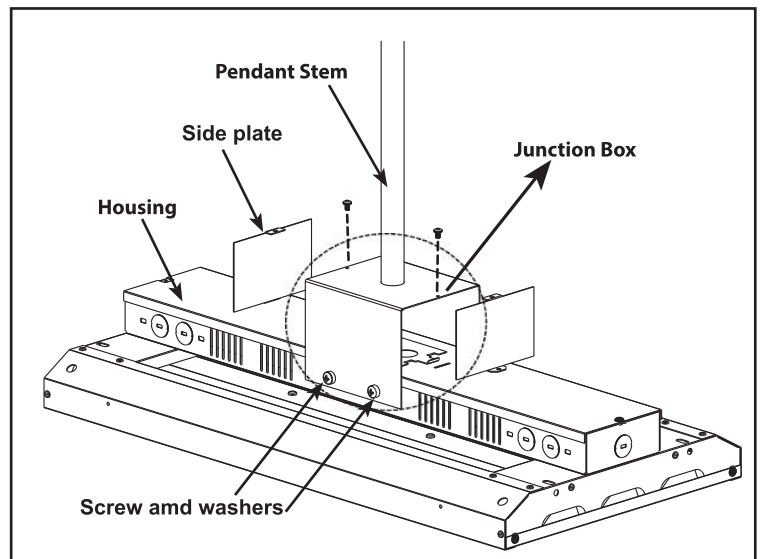


1. Wrap the chain around the ceiling or service attachment point.
2. Loop the chain around the ceiling or service point.
3. Use an S or similar connector to close the loop.
4. Slide the other end of the chain through the V-hook provided with the fixture. Install the V-hook into the two slots shown above to support the fixture.

B: For Pendant Mounting



1. Choose length of 1/2" NPS ped and stem (**Supplied by others**).
2. Install pendant-mount kit including: stem, junction box, screws and washers). See figure.
3. Feed wires through pendant stem and into junction box. wire the housing leads to supply wires using UL listed wire connectors according to NEC and local codes in the junction box. Push all wires back into junction box, install side plate of box with supplied screws. Be careful not to pinch the wires.
4. Slide the other end of the chain through the V-hook provided with the fixture.



Warranty Information:

This product is warranted for 5 years from the date of purchase.

If this product does not perform to the specifications supplied on this package, send an email or write to the address below for product return and replacement. This replacement is the sole remedy available.

Liability for incidental or consequential damage is expressly excluded.

Visit www.halcolighting.com for full warranty details and compatibility information.