

ELECTROMAGNETIC HID BALLASTS

CONTENTS

- 234** How to Read a Table
- 235** Pulse Start Metal Halide Ballasts
- 239** Standard Metal Halide Ballasts
- 242** High Pressure Sodium Ballasts
- 245** Capacitor Guide
- 246** Ignitor Guide
- 247** Cross Reference Guide
- 249** Specifications



HOW TO READ AN ELECTROMAGNETIC HID BALLAST TABLE

UL BENCH TOP RISE

To facilitate UL inspection, the UL Bench Top Rise Temperature Code is shown on the Halco Core & Coil Ballast label as 1029X.

FUSE RATING

Ballast's maximum fuse rating.

PRODUCT CODE

Abbreviated product description can also be used for ordering.

INPUT VOLTS

Voltage required from a power supply for proper ballast operation.

INPUT POWER

Total power input to the ballast which includes lamp watts and ballast losses.

CAPACITOR (Mfd, volts)

Specifies the electrical characteristics of the capacitor.

Input Volts	Product Number	Product Code	Circuit Type	Input Power (Watts)	Max Input Current (Amps)	Nom. Open Circuit Volts	Fuse Rating (Amps)	Dimensions			Capacitor		Ignitor (IGN/)	Kit Weight (lbs)		UL Bench Top Rise	
								Fig	A Max	B Max	Mfd	Volts		Total Weight	Ballast Weight		
50 Watt Pulse Start MH Lamp, ANSI Code M110																	
120					0.60		5										A
208	55192	M110/50HX/4T/K	HX-HPF	65	0.40	258	3	E	1.05	2.48	6	280	MH1	4.92	3.10		A
240					0.30		3										A
277					0.30		2										A

PRODUCT NUMBER

Use this number when placing an order.

CIRCUIT TYPE

Indicates the ballast circuit type.

NOMINAL OPEN CIRCUIT VOLTS

Typically the middle of a ballast's acceptable Open Circuit Voltage range.

IGNITOR

Identifies the Halco ignitor product code to be used with the ballast.

BALLAST DIMENSIONS

Indicates ballast's size.

KIT WEIGHT

Total weight of ballast to include case.

LAMP TYPE

Indicates the type of lamp that the ballast will operate.

MAX INPUT CURRENT (Amps)

For HX and R circuits, value is the highest of starting operating or open circuit current. For CWA or Super CWA circuits, value is the operating current.

ELECTROMAGNETIC HID BALLASTS

Pulse Start Metal Halide

Input Volts	Product Number	Product Code	Circuit Type	Input Power (Watts)	Max Input Current (Amps)	Nom. Open Circuit Volts	Fuse Rating (Amps)	Dimensions			Capacitor		Ignitor (IGN/)	Kit Weight (lbs)		UL Bench Top Rise
								Fig	A Max	B Max	Mfd	Volts		Total Weight	Ballast Weight	
50 Watt Pulse Start MH Lamp, ANSI Code M110																
120					0.60		5									A
208	55192	M110/50HX/4T/K	HX-HPF	65	0.40	258	3	E	1.05	2.48	6	280	MH1	4.92	3.10	A
240					0.30		3									A
277					0.30		2									A
70 Watt Pulse Start MH Lamp, ANSI Code M98																
120					1.60		4									A
208	55134	M98/70HX/4T/K	HX-HPF	85	0.90	252	3	E	1.47	2.90	8	280	MH1	6.75	4.50	A
240					0.80		3									A
277					0.70		2									A
100 Watt Pulse Start MH Lamp, ANSI Code M90																
120					2.40		8									A
208	55136	M90/100HX/4T/K	HX-HPF	120	1.40	276	6	E	1.58	2.96	12	280	MH1	6.28	4.80	A
240					1.20		4									A
277					1.10		4									A
125 Watt Pulse Start MH Lamp, ANSI Code M150																
120					1.25		4									A
208	55170	M150/125CWA/4T/K	Super CWA	150	0.75	228	3	E	1.70	3.10	12	280	MH1	6.00	5.80	A
240					0.65		2									A
277					0.55		2									A
150 Watt Pulse Start MH Lamp, ANSI Code M102																
120					1.60		10									A
208	55138	M102/150HX/4T/K	HX-HPF	182	1.00	255	5	E	2.28	3.80	16	280	MH1	9.06	6.80	A
240					0.90		5									A
277					0.80		4									A

Ballast Dimensions

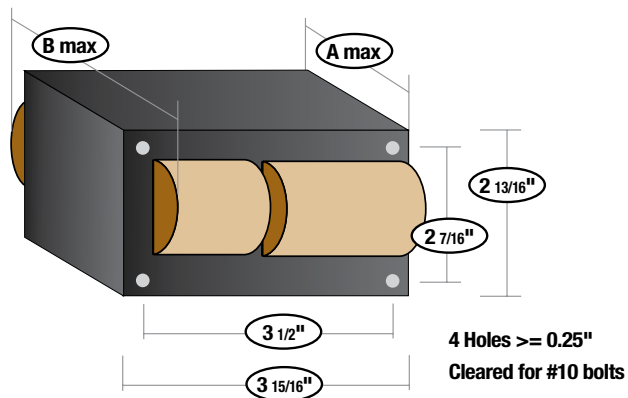


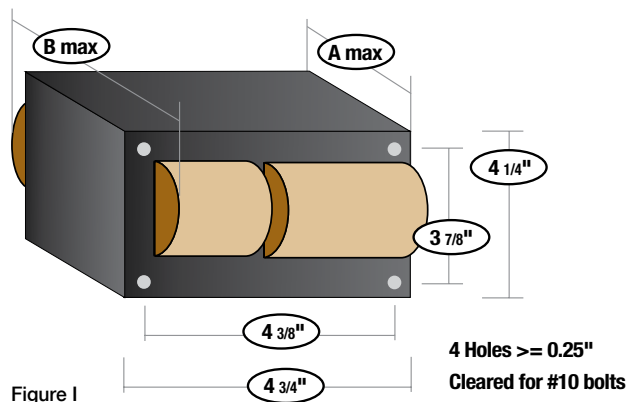
Figure E

ELECTROMAGNETIC HID BALLASTS

Pulse Start Metal Halide

Input Volts	Product Number	Product Code	Circuit Type	Input Power (Watts)	Max Input Current (Amps)	Nom. Open Circuit Volts	Fuse Rating (Amps)	Dimensions			Capacitor		Ignitor (IGN/)	Kit Weight (lbs)		UL Bench Top Rise
								Fig	A Max	B Max	Mfd	Volts		Total Weight	Ballast Weight	
250 Watt Pulse Start MH Lamp, ANSI Code M138 or M153																
120					2.45		10									A
208	55160	M138/250CWA/4T/K	Super CWA	278	1.40	274	6	I	1.85	3.78	15	400	MH2	11.79	9.80	A
240					1.25		6									A
277					1.10		5									A
120					2.45		12									A
208					1.40		6									A
240	55174	M138/250CWA/5T/K	Super CWA	282	1.25	286	6	I	1.99	3.90	15	400	MH2	10.30	11.50	A
277					1.10		5									A
480					0.65		3									A
120					2.45		12									A
208					1.80		6									B
240	55148	M132/320CWA/4T/K	Super CWA	361	1.55	279	6	I	2.18	4.40	21	360	MH2	12.20	11.00	B
277					1.35		5									B
120					3.10		12									C
208					1.80		8									C
240	55176	M132/320CWA/5T/K	Super CWA	355	1.55	276	6	I	2.18	4.40	21	345	MH2	11.88	11.50	C
277					1.35		5									C
480					0.78		3									C
120					3.10		12									C
208					1.90		6									A
240	55150	M131/350CWA/4T/K	Super CWA	400	1.60	257	6	I	2.32	4.40	24	400	MH2	12.50	11.80	A
277					1.40		5									A
120					3.40		10									A
208					2.00		7									A
240	55172	M131/350CWA/5T/K	Super CWA	410	1.70	265	5	I	2.32	4.40	24	330	MH2	12.80	12.20	A
277					1.50		5									A
480					0.90		3									A
120					3.40		10									A

Ballast Dimensions

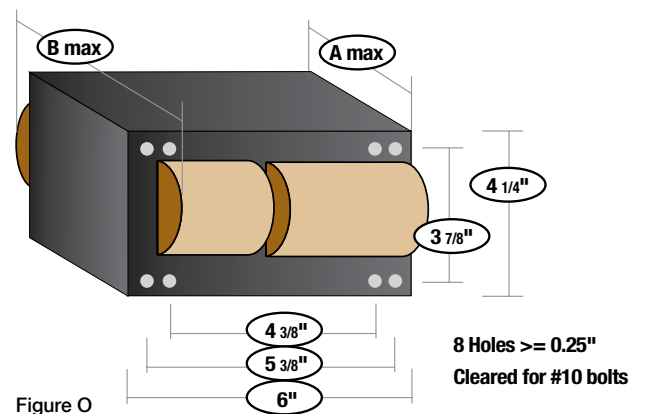
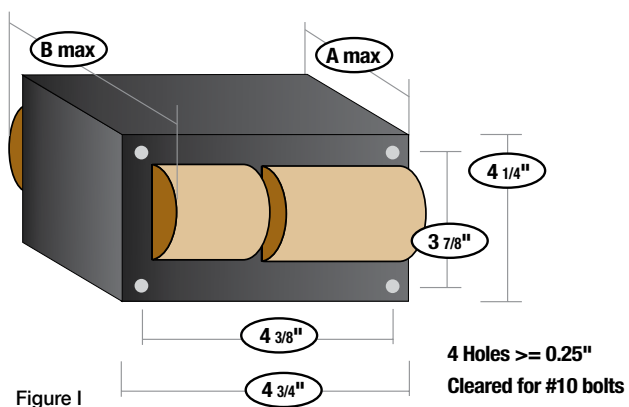


ELECTROMAGNETIC HID BALLASTS

Pulse Start Metal Halide

Input Volts	Product Number	Product Code	Circuit Type	Input Power (Watts)	Max Input Current (Amps)	Nom. Open Circuit Volts	Fuse Rating (Amps)	Dimensions			Capacitor		Ignitor (IGN/)	Kit Weight (lbs)		UL Bench Top Rise
								Fig	A Max	B Max	Mfd	Volts		Total Weight	Ballast Weight	
400 Watt Pulse Start MH Lamp, ANSI Code M135 or M155																
120					4.00		12									B
208	55162	M135/400CWA/4T/K	Super CWA	460	2.30	282	6	I	2.32	4.30	26	400	MH2	11.50	11.20	C
240					2.00		6									D
277					1.75		5									D
120					3.81		12									A
208					2.15		6									A
240	55178	M135/400CWA/5T/K	Super CWA	458	1.92	268	6	I	2.32	4.25	26	400	MH2	16.98	12.20	A
277					1.67		5									A
480					0.93		3									A
750 Watt Pulse Start MH Lamp, ANSI Code M149 or M181																
120					7.23		20									A
208	55188	M149/750CWA/4T/K	Super CWA	842	4.05	370	10	O	2.62	4.80	24	480	-	20.28	17.00	A
240					3.64		10									A
277					3.13		8									A
120					7.20		20									A
208					4.10		10									A
240	55190	M149/750CWA/5T/K	Super CWA	810	3.60	371	10	O	2.84	4.80	24	480	-	20.28	18.80	A
277					3.13		8									A
480					1.80		6									A

Ballast Dimensions



ELECTROMAGNETIC HID BALLASTS

Pulse Start Metal Halide

Input Volts	Product Number	Product Code	Circuit Type	Input Power (Watts)	Max Input Current (Amps)	Nom. Open Circuit Volts	Fuse Rating (Amps)	Dimensions			Capacitor		Ignitor (IGN/)	Kit Weight (lbs)		UL Bench Top Rise	
								Fig	A Max	B Max	Mfd	Volts		Total Weight	Ballast Weight		
875 Watt Pulse Start MH Lamp, ANSI Code M166																	
120					8.10		20										A
208	55194	M166/875CWA/4T/K	Super CWA	930	4.70	400	15	O	3.01	4.92	22	480	-	23.39	19.40		A
240					4.10		10										A
277					3.60		10										A
120					8.20		20										A
208	55196	M166/875CWA/5T/K	Super CWA	930	4.80	400	12	O	3.01	4.92	22	480	-	22.68	19.40		A
240					4.30		10										A
277					3.60		10										A
480					2.10		8										A
120					8.20		20										A
1000 Watt Pulse Start MH Lamp, ANSI Code M141																	
120					9.20		20										A
208	55184	M141/1000CWA/4T/K	Super CWA	1090	5.30	404	15	O	3.01	5.05	24	480	-	20.24	20.10		A
240					4.60		10										A
277					4.00		10										A
120					8.80		20										A
208	55186	M141/100CWA/5T/K	Super CWA	1070	5.10	413	15	O	3.25	5.22	21.4	480	-	21.40	21.40		A
240					4.50		10										A
277					3.90		10										A
480					2.30		8										A
120					8.80		20										A

Ballast Dimensions

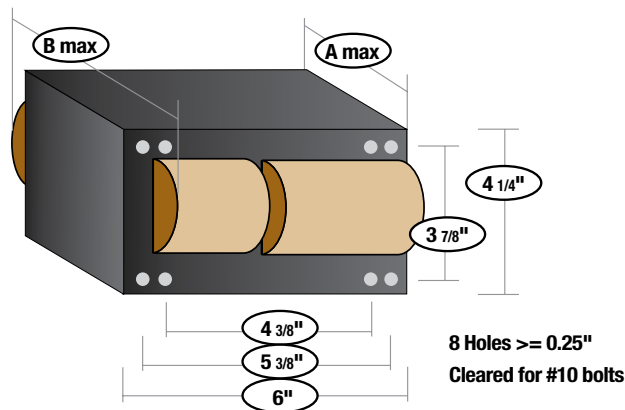


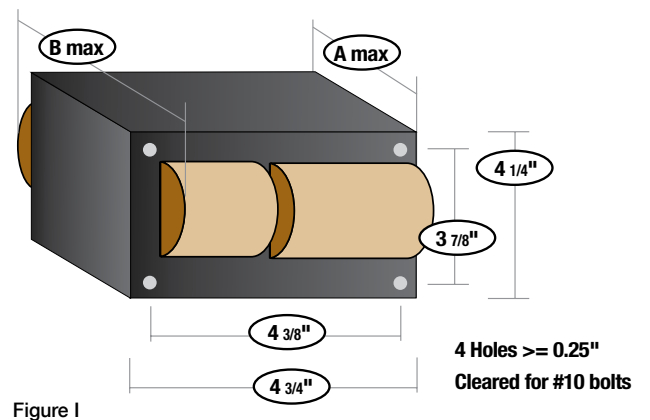
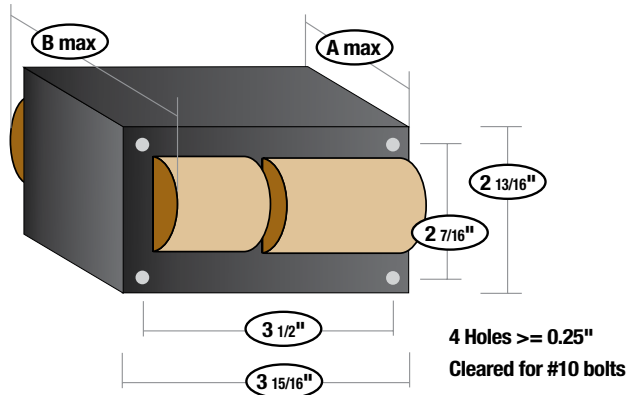
Figure O

ELECTROMAGNETIC HID BALLASTS

Standard Metal Halide

Input Volts	Product Number	Product Code	Circuit Type	Input Power (Watts)	Max Input Current (Amps)	Nom. Open Circuit Volts	Fuse Rating (Amps)	Dimensions			Capacitor		Ignitor (IGN/)	Kit Weight (lbs)		UL Bench Top Rise	
								Fig	A Max	B Max	Mfd	Volts		Total Weight	Ballast Weight		
175 Watt MH Lamp, ANSI Code M57																	
120					1.80		10										A
208	55140	M57/175CWA/4T/K	CWA	202	1.00	282	5	E	2.60	4.02	10	400	-	8.90	6.90	A	
240					0.90		4									A	
277					0.80		3									A	
120					1.90		10									A	
208					1.10		5									A	
240	55142	M57/175CWA/5T/K	CWA	210	0.90	302	5	E	2.44	4.10	10	400	-	8.90	6.90	A	
277					0.80		3									A	
480					0.50		2									A	
250 Watt MH Lamp, ANSI Code M58																	
120					2.60		10										A
208	55144	M58/250CWA/4T/K	CWA	295	1.50	304	6	I	1.61	3.54	15	400	-	10.20	8.00	A	
240					1.30		5									A	
277					1.15		5									A	
120					2.50		10										A
208					1.45		6										A
240	55146	M58/250CWA/5T/K	CWA	289	1.25	307	5	I	1.85	3.70	15	400	-	12.60	10.40	A	
277					1.50		5									A	
480					0.65		3									A	

Ballast Dimensions



ELECTROMAGNETIC HID BALLASTS

Standard Metal Halide

Input Volts	Product Number	Product Code	Circuit Type	Input Power (Watts)	Max Input Current (Amps)	Nom. Open Circuit Volts	Fuse Rating (Amps)	Dimensions			Capacitor		Ignitor (IGN/)	Kit Weight (lbs)		UL Bench Top Rise
								Fig	A Max	B Max	Mfd	Volts		Total Weight	Ballast Weight	

400 Watt MH Lamp, ANSI Code M59

120					4.00		12									B
208	55152	M59/400CWA/4T/K	CWA	458	2.30	300	8	I	2.16	4.30	24	360	-	13.32	11.04	C
240					2.00		6									C
277					1.80		6									D
120					4.00		12									B
208					2.30		8									B
240	55154	M59/400CWA/5T/K	CWA	452	2.00	300	6	I	2.32	4.34	24	400	-	14.64	11.40	C
277					1.80		6									C
480					1.00		4									C

1000 Watt MH Lamp, ANSI Code M47

120					9.20		20									A
208	55156	M47/1000CWA/4T/K	CWA	1076	5.30	411	15	O	3.01	4.92	24	480	-	22.52	18.90	A
240					4.60		10									A
277					4.00		10									A
120					9.20		20									A
208					5.30		15									A
240	55158	M47/1000CWA/5T/K	CWA	1087	4.60	420	10	O	3.25	5.20	24	480	-	24.06	19.90	A
277					4.00		10									A
480					2.30		6									A

Ballast Dimensions

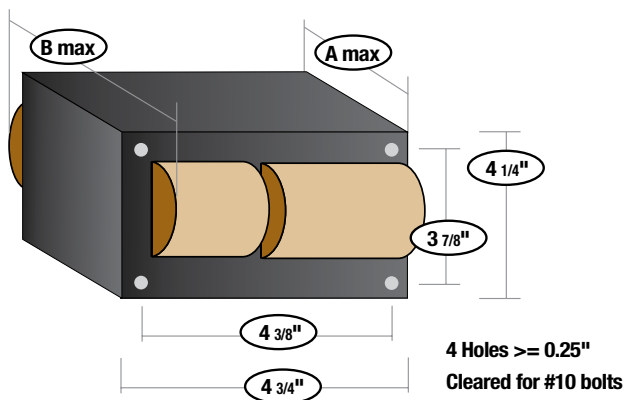


Figure I

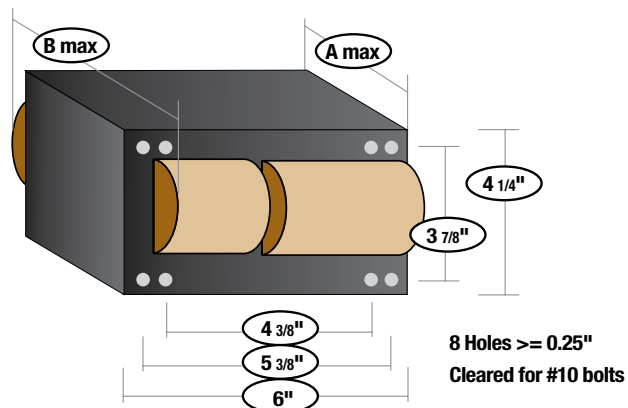


Figure O

ELECTROMAGNETIC HID BALLASTS

Standard Metal Halide

Input Volts	Product Number	Product Code	Circuit Type	Input Power (Watts)	Max Input Current (Amps)	Nom. Open Circuit Volts	Fuse Rating (Amps)	Dimensions			Capacitor		Ignitor (IGN/)	Kit Weight (lbs)		UL Bench Top Rise
								Fig	A Max	B Max	Mfd	Volts		Total Weight	Ballast Weight	
1500 Watt MH Lamp, ANSI Code M48																
120					13.20		30									B
208	55180	M48/1500CWA/4T/K	CWA	1542	7.60	430	25	O	4.49	6.85	32	525	-	32.34	28.00	A
240					6.70		20									A
277					5.80		15									A
120					13.00		44									C
208	55182	M48/1500CWA/5T/K	CWA	1550	7.50	430	22	O	4.49	6.90	32	525	-	32.34	29.00	C
240					6.50		20									B
277					5.70		17									B
480					3.30		10									A

Ballast Dimensions

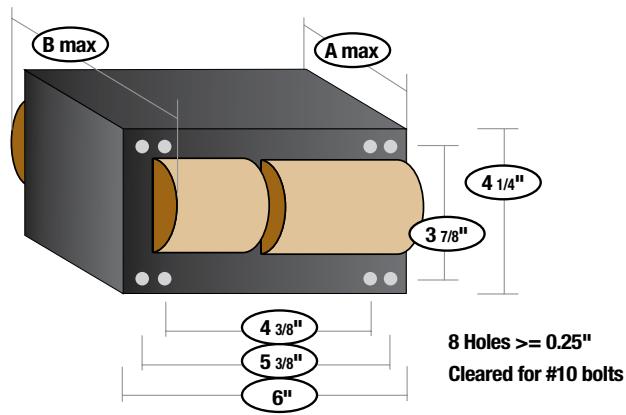


Figure O

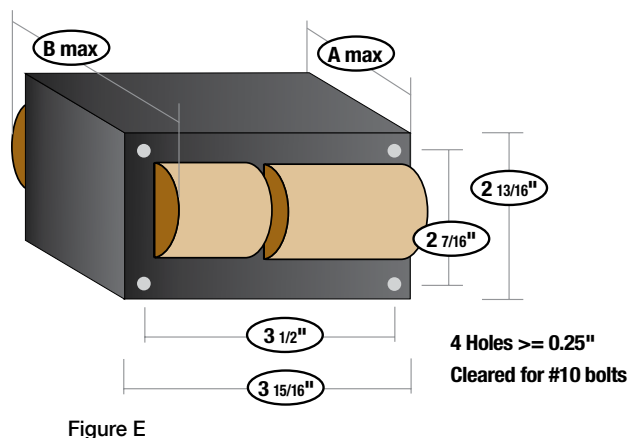
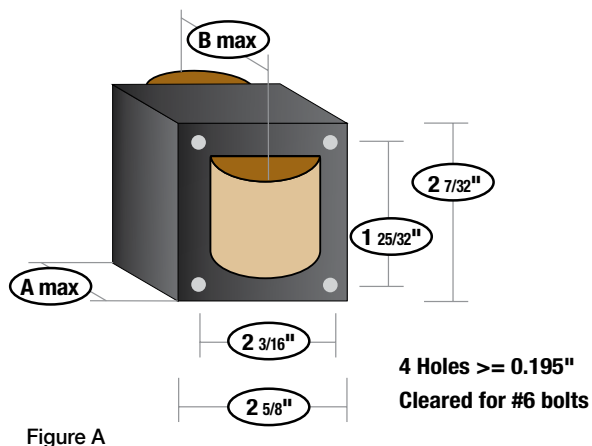
ELECTROMAGNETIC HID BALLASTS

High Pressure Sodium

Input Volts	Product Number	Product Code	Circuit Type	Input Power (Watts)	Max Input Current (Amps)	Nom. Open Circuit Volts	Fuse Rating (Amps)	Dimensions			Capacitor		Ignitor (IGN/)	Kit Weight (lbs)		UL Bench Top Rise
								Fig	A Max	B Max	Mfd	Volts		Total Weight	Ballast Weight	
35 Watt HPS Lamp, ANSI Code S76																
120	55102	S76/35R/120/K	*R-HPF	54	0.80	120	3	A	0.61	1.80	14	120	HPS1	1.97	1.10	A
50 Watt HPS Lamp, ANSI Code S68																
120	55104	S68/50R/120/K	*R-HPF	61	1.20	120	4	A	0.83	2.00	20	120	HPS1	2.40	1.70	A
70 Watt HPS Lamp, ANSI Code S62																
120	55106	S62/70R/120/K	*R-HPF	83	1.65	120	4	A	1.30	2.50	28	120	HPS1	3.22	2.00	A
120					1.40		3									A
208	55108	S62/70HX/4T/K	HX-HPF	95	0.80	125	2	E	1.54	2.95	7	280	HPS1	6.79	4.60	A
240					0.70		2									A
277					0.60		2									A
100 Watt HPS Lamp, ANSI Code S54																
120	55110	S54/100R/120/K	*R-HPF	116	2.10	120	5	A	1.77	2.95	36	120	HPS1	3.63	2.50	A
120					2.20		4									A
208	55112	S54/100HX/4T/K	HX-HPF	130	1.30	118	3	E	1.97	3.35	10	280	HPS1	8.26	6.00	A
240					1.10		2									A
277					1.00		2									A
150 Watt HPS Lamp, ANSI Code S55																
120	55114	S55/150R/120/K	*R-HPF	168	3.10	120	6	A	2.36	3.54	55	120	HPS1	5.46	3.25	A
120					3.00		5									A
208	55116	S55/150HX/4T/K	HX-HPF	182	1.70	121	3	E	2.56	4.05	14	280	HPS1	8.73	7.40	A
240					1.50		3									A
277					1.30		3									A

*Ballast operates at High Power Factor when capacitor (not included with kit) is installed. If the capacitor is omitted, ballast will operate at Normal Power Factor.

Ballast Dimensions

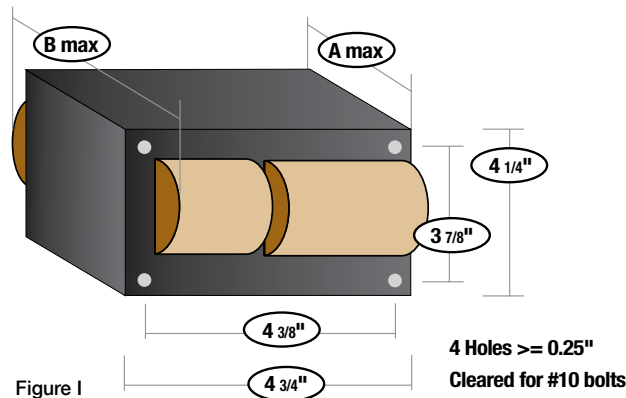


ELECTROMAGNETIC HID BALLASTS

High Pressure Sodium

Input Volts	Product Number	Product Code	Circuit Type	Input Power (Watts)	Max Input Current (Amps)	Nom. Open Circuit Volts	Fuse Rating (Amps)	Dimensions			Capacitor		Ignitor (IGN/)	Kit Weight (lbs)		UL Bench Top Rise
								Fig	A Max	B Max	Mfd	Volts		Total Weight	Ballast Weight	
200 Watt HPS Lamp, ANSI Code S66																
120					2.10		6									A
208	55118	S66/200CWA/4T/K	CWA	240	1.20	178	4	I	1.22	3.05	28	250	HPS2	9.21	7.60	A
240					1.10		3									A
277					0.90		3									A
250 Watt HPS Lamp, ANSI Code S50																
120					2.50		7									A
208	55120	S50/250CWA/4T/K	CWA	300	1.50	185	4	I	1.85	3.50	35	240	HPS2	12.62	9.93	A
240					1.30		4									A
277					1.10		3									A
120					2.60		7									A
208					1.50		4									A
240	55122	S50/250CWA/5T/K	CWA	298	1.30	185	4	I	1.97	3.90	35	240	HPS2	13.60	10.70	A
277					1.10		3									A
480					0.60		2									A
400 Watt HPS Lamp, ANSI Code S51																
120					3.80		10									A
208	55124	S51/400CWA/4T/K	CWA	453	2.20	182	7	I	2.32	4.18	55	240	HPS2	14.82	12.60	A
240					1.90		5									A
277					1.70		5									A
120					3.80		10									A
208					2.20		7									A
240	55126	S51/400CWA/5T/K	CWA	450	1.90	185	5	I	2.56	4.70	55	240	HPS2	17.37	13.70	A
277					1.60		5									A
480					0.90		3									A

Ballast Dimensions

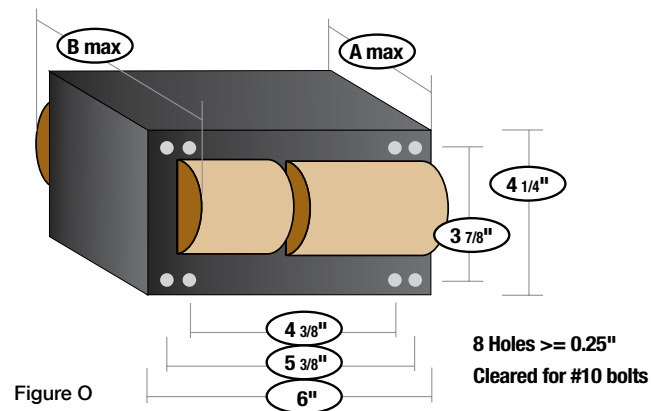


ELECTROMAGNETIC HID BALLASTS

High Pressure Sodium

Input Volts	Product Number	Product Code	Circuit Type	Input Power (Watts)	Max Input Current (Amps)	Nom. Open Circuit Volts	Fuse Rating (Amps)	Dimensions			Capacitor		Ignitor (IGN/)	Kit Weight (lbs)		UL Bench Top Rise
								Fig	A Max	B Max	Mfd	Volts		Total Weight	Ballast Weight	
1000 Watt HPS Lamp, ANSI Code S52																
120					8.80		25									A
208	55128	S52/1000CWA/4T/K	CWA	1030	5.10	430	15	O	4.33	6.40	26	525	HPS3	30.50	26.00	A
240					4.40		10									A
277					3.90		10									A
120					9.70		25									A
208					5.60		15									A
240	55130	S52/1000CWA/5T/K	CWA	1070	4.90	430	12	O	4.1	6.10	26	525	HPS3	32.00	26.00	A
277					4.20		10									A
480					2.40		6									A

Ballast Dimensions



ELECTROMAGNETIC HID BALLASTS

Capacitor Guide

Product Number	Product Code	Halco Ballast Code	Mfd	Volts	Diam. (mm)	Diam. (in)	Height (mm)	Height (in)
DRY FILM								
55851	*CAP/MH50	M110/50HX/2T/K	6	280	35	1.38	48	1.89
55853	CAP/MH70	M98/70HX/4T/K	8	280	30	1.19	68	2.68
55855	CAP/MH100	M90/100HX/4T/K	12	280	30	1.19	78	3.08
55857	CAP/MH150	M102/150HX/4T/K	16	280	35	1.38	78	3.08
55859	CAP/MH175	M57/175CWA/4T/K	10	400	35	1.38	78	3.08
		M57/175CWA/5T/K						
55861	CAP/MH250	M58/250CWA/4T/K	15	400	40	1.58	78	3.08
		M58/250CWA/5T/K						
55871	CAP/MH250PS	M138/250CWA/4T/K	18.5	330	35	1.38	78	3.08
55863	CAP/MH320PS	M132/320CWA/4T/K	21	345	40	1.58	79	3.08
		M132/320CWA/5T/K						
55865	CAP/MH350PS	M131/350CWA/4T/K	22.5	345	40	1.58	78	3.08
		M131/350CWA/5T/K						
55873	CAP/MH400PS	M135/400CWA/4T/K	26	330	40	1.58	93	3.66
		M135/400CWA/5T/K						
55868	CAP/MH400/DRY	M59/400/CWA/4T/K	24	400	45	1.77	93	3.66
55801	*CAP/HPS50/120	S76/35R/120/K	20	120	30	1.19	68	2.68
		S68/50R/120/K						
55803	CAP/HPS70/120	S62/70R/120/K	28	120	30	1.19	78	3.08
55805	*CAP/HPS70	S62/70HX/4T/K	7	300	30	1.19	68	2.68
55807	*CAP/HPS100/120	S54/100R/120/K	46	120	40	1.58	68	2.68
55809	CAP/HPS100	S54/100HX/4T/K	10	280	30	1.19	78	3.08
55811	CAP/HPS150/120	S55/150R/120/K	55	120	40	1.58	78	3.08
55813	CAP/HPS150	S55/150HX/4T/K	14	280	35	1.38	78	3.08
55815	*CAP/HPS200	S66/200CWA/4T/K	28	240	40	1.58	68	2.68
55817	CAP/HPS250	S50/250CWA/4T/K	35	280	40	1.58	78	3.08
		S50/250CWA/5T/K						
OIL-FILLED								
55867	CAP/MH400/OIL	M59/400CWA/4T/K	24	400	45	1.78	83	3.27
		M59/400CWA/5T/K						
55869	CAP/MH1000	M47/1000CWA/4T/K	24	480	50	1.97	103	4.06
		M47/1000CWA/5T/K						
55819	CAP/HPS400	S51/400CWA/4T/K	55	240	50	1.97	103	4.06
		S51/400CWA/5T/K						
55821	CAP/HPS1000	S52/1000CWA/4T/K	26	525	50	1.97	104	5.63
		S52/1000CWA/5T/K						

* Product will be discontinued when inventory is depleted

ELECTROMAGNETIC HID BALLASTS

Ignitor Guide

Product Number	Product Code	Ballast	Diam. (mm)	Diam. (in)	Height (mm)	Height (in)
55907	IGN/MH1	35W - 150W PS MH	35.6	1.4	66.0	2.6
55909	IGN/MH2	175W-450W PS MH				
55901	IGN/HPS1	35W - 150W HPS				
55903	IGN/HPS2	200W - 400W HPS				
55905	IGN/HPS3	1000W HPS				

ELECTROMAGNETIC HID BALLASTS

Cross Reference Guide

HALCO	ADVANCE	UNIVERSAL/ MAGNETEK	HOWARD
Pulse Start Metal Halide			
M102/150HX/4T/K	71A5492-001D	M150MLTLC3M500K	M0150-71C-512-K
M110/50HX/4T/K	71A5191-001D	M50MLTLC3M500K	M0050-23C-511-K
M141/1000CWA/4T/K	71A6593-001	P1000MLTAC5M500K	M1000-71C-612-K
M141/1000CWA/5T/K	71A6552-001D	P1000ML5AC5M500K	M1000-81C-611-K
M149/750CWA/4T/K	71A64F2-001D	P750MLTAC5M500K	M0750-71C-612-K
M149/750CWA/5T/K	71A6452-001D	P750ML5AC5M500K	M0750-81C-612-K
M131/350CWA/4T/K	71A5993-001D	P350MLTAC4M500K	M0350-71C-6E4-K
M131/350CWA/5T/K	71A5953-001D	P350ML5AC4M500K	-
M132/320CWA/4T/K	71A5892-001D	P320MLTAC4O500K	M0320-71C-6E4-K
M132/320CWA/5T/K	71A5852-001D	P320ML5AC4L500K	-
M135/400CWA/4T/K	71A6092-001D	P400MLTAC4L500K	M0400-71C-6E3-K
M135/400CWA/5T/K	-	P400ML5AC4M500K	-
M138/250CWA/4T/K	71A5792-001D	P250MLTAC4L500K	M0250-71C-611-K
M138/250CWA/5T/K	-	P250ML5AC4M500K	-
M150/125CWA/4T/K	-	-	-
M90/100HX/4T/K	71A5390-001D	M100MLTLC3M500K	M0100-71C-512-K
M98/70HX/4T/K	71A5292-001D	M70MLTLC3M500K	M0070-71C-511-K
Standard Metal Halide			
M48/1500CWA/4T/K	71A6772-001D	M1500MLTAC5M500K	M1500-71C-214-K
M48/1500CWA/5T/K	-	-	-
M47/1000CWA/4T/K	71A6572-001	M1000MLTAC5M500K	M1000-71C-214-K
M47/1000CWA/5T/K	71A6552-001	M1000ML5AC5M500K	M1000-81C-213-K
M57/175CWA/4T/K	71A5570-001D	M175MLTAC3M500K	M0175-71C-214-K
M57/175CWA/5T/K	-	M175ML5AC3M500K	M0175-81C-214-K
M58/250CWA/4T/K	71A5771-001D	M250MLTAC3M500K	M0250-71C-215-K
M58/250CWA/5T/K	71A5750-001D	M250ML5AC3M500K	M0250-81C-215-K
M59/400CWA/4T/K	71A6071-001D	M400MLTAC4M500K	M0400-71C-213-K
M59/400CWA/5T/K	71A6051-001D	M400ML5AC4M500K	M0400-81C-212-K

ELECTROMAGNETIC HID BALLASTS

Cross Reference Guide

HALCO	ADVANCE	UNIVERSAL/ MAGNETEK	HOWARD
High Pressure Sodium			
S50/250CWA/4T/K	71A8271-001D	S250MLTAC4M500K	S0250-71C-214-K
S50/250CWA/5T/K	71A8251-001D	S250ML5AC4M500K	S0250-81C-212-K
S51/400CWA/4T/K	71A8473-001D	S400MLTAC5M500K	S0400-71C-212-K
S51/400CWA/5T/K	71A8453-001D	S400ML5AC5M500K	S0400-81C-212-K
S52/1000CWA/4T/K	71A8773-001	S1000MLTAC5M500K	S1000-71C-212-K
S52/1000CWA/5T/K	71A8753-001	S1000ML5AC5M500K	S1000-81C-212-K
S54/100HX/4T/K	71A8071-001D	S100MLTLC3M500K	S0100-71C-512-K
S54/100R/120/K	71A8007-001DB	-	S0100-02C-111-K
S55/150HX/4T/K	71A8172-001D	S150MLTLC3M500K	S0150-71C-512-K
S55/150R/120/K	71A8107-001DB	-	S0150-02C-111-K
S62/70HX/4T/K	71A7971-001D	S70MLTLC3M500K	S0070-71C-512-K
S62/70R/120/K	71A7907-001DB	-	S0070-02C-111-K
S66/200CWA/4T/K	71A8970-001D	S200MLTAC4M500K	S0200-71U-211-K
S68/50R/120/K	71A7807-001DB	-	S0050-02C-111-K
S76/35R/120/K	71A7707-001DB	-	S0035-02C-111-K

ELECTROMAGNETIC HID BALLASTS

Specifications

SPECIFICATIONS

	Ballast shall be designed in accordance with all applicable ANSI specifications including ANSI C82.4.
	Ballast shall be designed with Class "H" (180°C) or higher insulation system.
	All coils shall be precision wound.
	Ballast shall operate for at least 180 cycles of 12 hours on and 12 hours off, when the lamp circuit is in a short-circuited or open condition. This operation should cause no reduction in ballast life.
	Ballast and starter combinations shall operate reliably at starting temperatures of -40°C for High Pressure Sodium ballasts and -30°C for Metal Halide ballasts.
	Ballast shall not contain PCBs.
	Manufacturer shall provide written warranty against defects in material or workmanship for 2 years from date of manufacture.
	Capacitors
	All capacitors provided shall have a self-contained internal bleeder resistor.
	All oil-filled capacitors shall have 0.25" quick disconnect terminals and be housed in corrosion-resistant steel cans.
	All required capacitors will be provided by the ballast manufacturer.
	Ignitors
	All ignitors will be epoxy-filled with a plastic external housing.
	All ignitors shall be designed to provide six months of open circuit operation without failure.
	Ballast shall have a lamp end-of-life detection and shut down circuit.
	Ballast shall not contain PCBs.
	Manufacturer shall provide written warranty against defects in material or workmanship for 3 years from date of manufacture.