

Straight Round Steel Poles

Specifications

Description

The HAL Series Straight Round Steel poles are built from high strength steel tube and are available side drilled for arm mounted area lighting luminaires or with tenon mounts for flood and post top luminaires. Typical area lighting applications include retail centers, industrial parks, schools and universities, public transit and airports, office buildings and medical facilities. Mounting heights of 10 to 30 feet can be used based on selected luminaire application. (ACCESSORIES NEED TO PURCHASED SEPARATELY)

Features

FINISH:

Textured architectural bronze powder-coat finish, baked to ensure maximum paint adhesion, hardness and durability.

ANCHOR BOLTS:

Anchor Bolts & Positioning Plates are not included with Pole Kit Purchase. Anchor Bolt / Plate Kits are available for 10-25FT and 30FT poles for your convenience. These can be shipped in advance.

HAND HOLE:

Cast iron reinforced hand hole, with cast iron cover, gasket, screw and grounding hook.

BASE COVER:

Poles are provided with a two-piece formed steel base cover that is easily assembled and fitted over pole base.

POLE LENGTH:

Poles are available in standard lengths as shown in the order matrix. Poles can be custom cut to order. Consult factory.

SURFACE TREATMENT:

Hot-dip galvanizing.

Mounting Options

Side Mount:

Standard length poles are predrilled (2@180°), with a polycarbonate top cover and hole plugs for unused predrilled locations.

Top Mount:

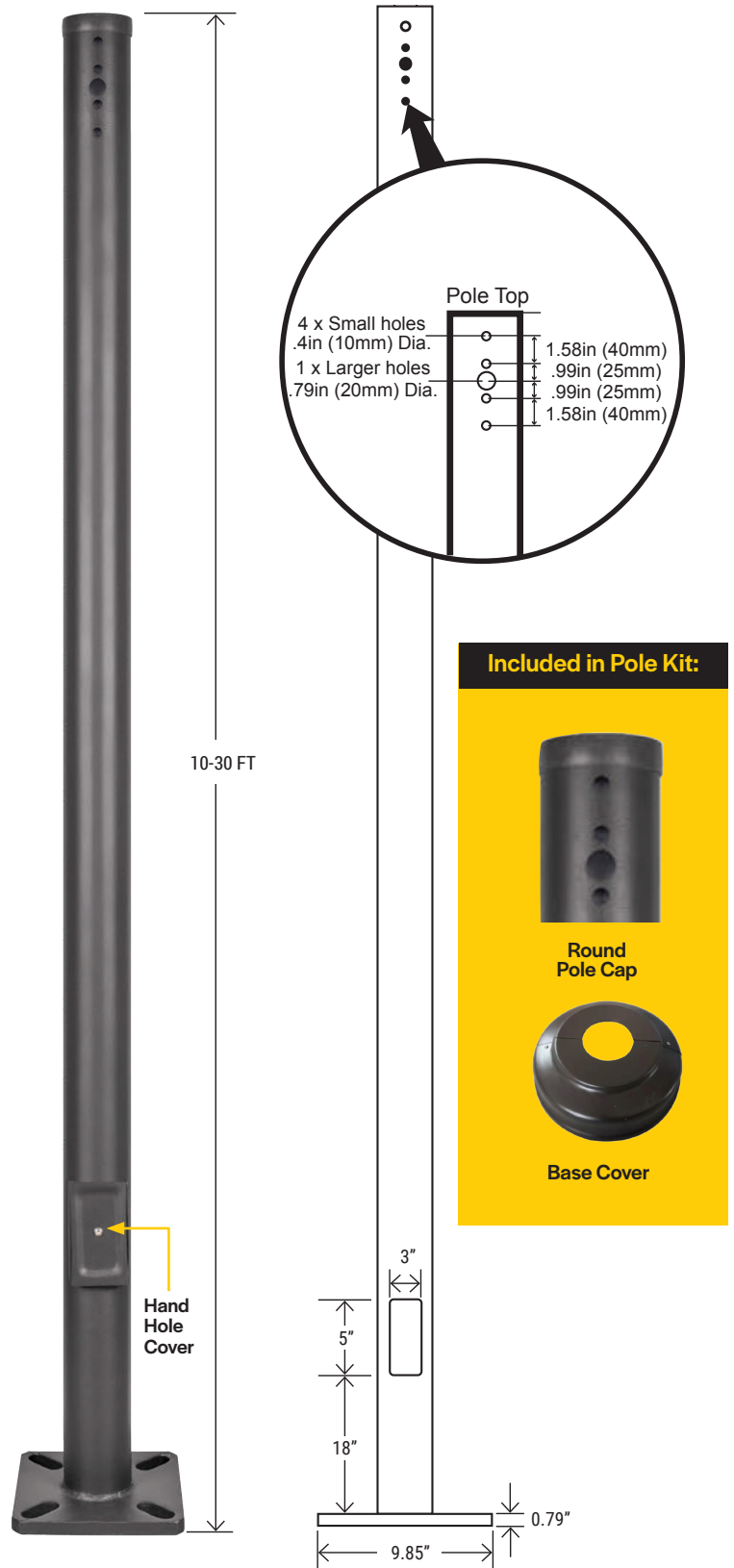
Round Pole Tenon Adapters (optional-sold separately) can be installed for a use with a Slip-Fitter or Multi-Fixture installation requiring Bullhorns, Spokes etc. (3"RND, 4"RND and 5"RND to 2 3/8"Round Tenon Adapters available).

Note:

When using Arm or Slip-Fitter Mounts, additional installation parts may be required to ensure proper installation. (example: Round Bar Adapter with Arm Mount or Horizontal Tenon Arc Adapter with Slip-Fitter Mount)

See: additional installation parts for more options

- BASE COVER, HAND HOLE COVER, AND POLE CAP ARE INCLUDED WITH THE "KIT" POLE PURCHASE
- ASSOCIATED ANCHOR BOLTS & POSITION PLATE KITS SOLD SEPARATELY ALLOWING FOR EARLY SHIPMENT



Straight Round Steel Poles

Ordering Logic Example: HAL-4-RDS-25FT-11G-TD-BZ

Halco	Size	Shape & Material	Height	Wall Thickness	Mount	Finish	KIT
HAL - Halco	3 - (3" diameter)	RDS-Round Steel	10FT - (3.0 M)	11G - 11 Gauge	D - Drilled Hole	BZ (Dark Bronze) S (Customer Color)*	KIT – Includes: • Pole with Cap • Base Cover • Hand Hole Cover
	4 - (4" diameter)		15FT - (4.6 M)				
	5 - (5" diameter)		20FT - (6.1 M)				
			25FT - (7.6 M)				
			30FT - (9.1 M)				

Conforms to ASTM-A 500 Grade B: Minimum Yield Strength of 46,000 PSI.

*S- Customer Color Please
Contact Sales Representative

Ordering Information

Product SKU	Product Code	Product Description
741316	HAL-3-RDS-10FT-11G-D-BZ-KIT	3in Round Steel Pole, 10 Ft, 11 GA, Universal Drill Pattern On 2 Sides with Cap, Handhold Cover (Screws and Plugs), Textured Architectural Dark Bronze Powder-Coat Finish with 3in Round Base Cover
741317	HAL-4-RDS-15FT-11G-D-BZ-KIT	4in Round Steel Pole, 15 Ft, 11 GA, Universal Drill Pattern On 2 Sides with Cap, Handhold Cover (Screws and Plugs), Textured Architectural Dark Bronze Powder-Coat Finish with 4in Round Base Cover
741318	HAL-4-RDS-20FT-11G-D-BZ-KIT	4in Round Steel Pole, 20 Ft, 11 GA, Universal Drill Pattern On 2 Sides with Cap, Handhold Cover (Screws and Plugs), Textured Architectural Dark Bronze Powder-Coat Finish with 4in Round Base Cover
741319	HAL-4-RDS-25FT-11G-D-BZ-KIT	4in Round Steel Pole, 25 Ft, 11 GA, Universal Drill Pattern On 2 Sides with Cap, Handhold Cover (Screws and Plugs), Textured Architectural Dark Bronze Powder-Coat Finish with 4in Round Base Cover
741320	HAL-5-RDS-30FT-11G-D-BZ-KIT	5in Round Steel Pole, 30 Ft, 11 GA, Universal Drill Pattern On 2 Sides with Cap, Handhold Cover (Screws and Plugs), Textured Architectural Dark Bronze Powder-Coat Finish with 5in Round Base Cover
Accessories		
741305	HAL-ABOLT-RD-10-25FT-KIT	Anchor Bolts (4 pcs) and Anchor Bolt Positioning Plate For 4in Round Steel Pole with Standard Base (up to 25FT)
741306	HAL-ABOLT-RD-30FT-KIT	Anchor Bolts (4 pcs) and Anchor Bolt Positioning Plate For 5in Round Steel Pole with Standard Base (30FT)
741215	HAL-VT3-D	3in Round Tenon Pole Top Mount with 2-3/8" (outside dimension) MAX EPA: 0.3 (For mounting one fixture)
741216	HAL-VT4-D	4in Round Tenon Pole Top Mount with 2-3/8" (outside dimension) MAX EPA: 0.3 (For mounting one fixture)
741217	HAL-VT5-D	5in Round Tenon Pole Top Mount with 2-3/8" (outside dimension) MAX EPA: 0.3 (For mounting one fixture)
741218	HAL-RB2.5D180-D	180 Degree Double Bullhorn. For Square and Round Steel Poles (Round Pole Requires Tenon Top Mount sold separately) MAX EPA: 0.9
741219	HAL-RB2.5TR180-D	180 Degree Triple Bullhorn. For Square and Round Steel Poles (Round Pole Requires Tenon Top Mount sold separately) MAX EPA: 1.4
741220	HAL-RB2.5QD90-D	90 Degree Quad Bullhorn. For Square and Round Steel Poles (Round Pole Requires Tenon Top Mount sold Separately) MAX EPA: 1.5
741221	HAL-SB2.5TR120V-D	120 Degree Triple Tenon Adapter for Square and Round Steel Poles can be Adjusted Horizontally (Round Pole Requires Tenon Top Mount sold separately) MAX EPA: 1.5
741207	HAL-SPP235-BM24	Cross Anchor Position Plate for 30ft Round Steel Pole. Use with HAL-BM24SL914-S and HAL-SPP235-TM24

DATE: _____ LOCATION: _____
 TYPE: _____ PROJECT: _____
 CATALOG #: _____

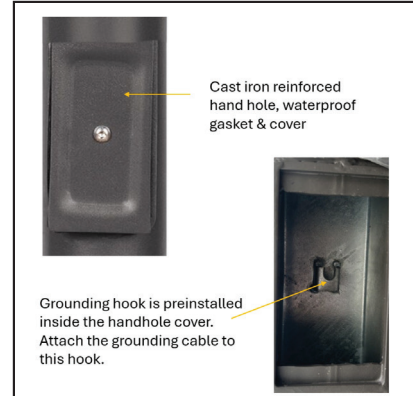
Pole Kit Round (up to 10-25Ft)



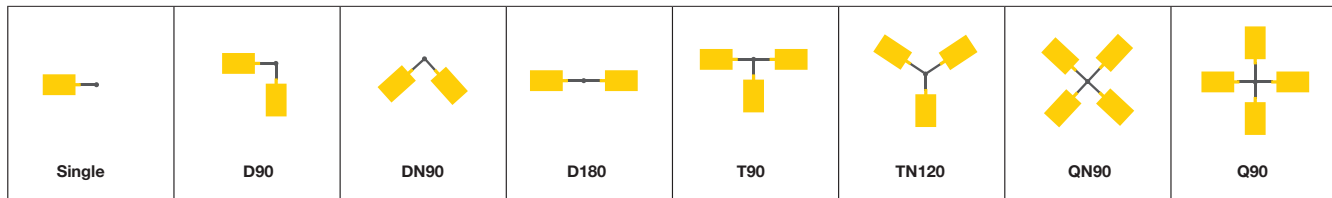
Pole Kit Round (30Ft)



Hand Hold Cover Details



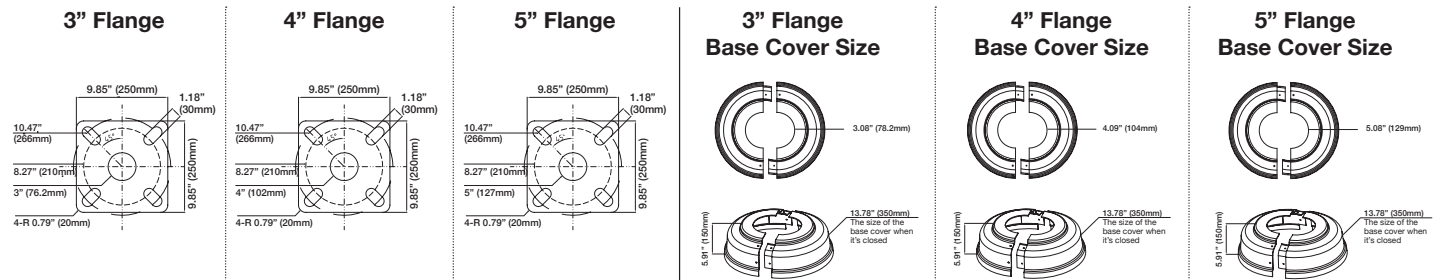
Fixture Configurations



Dimensions

Size: 3" (3" dia.), 4" (4" dia.), 5" (5" dia.)

DIMENSION

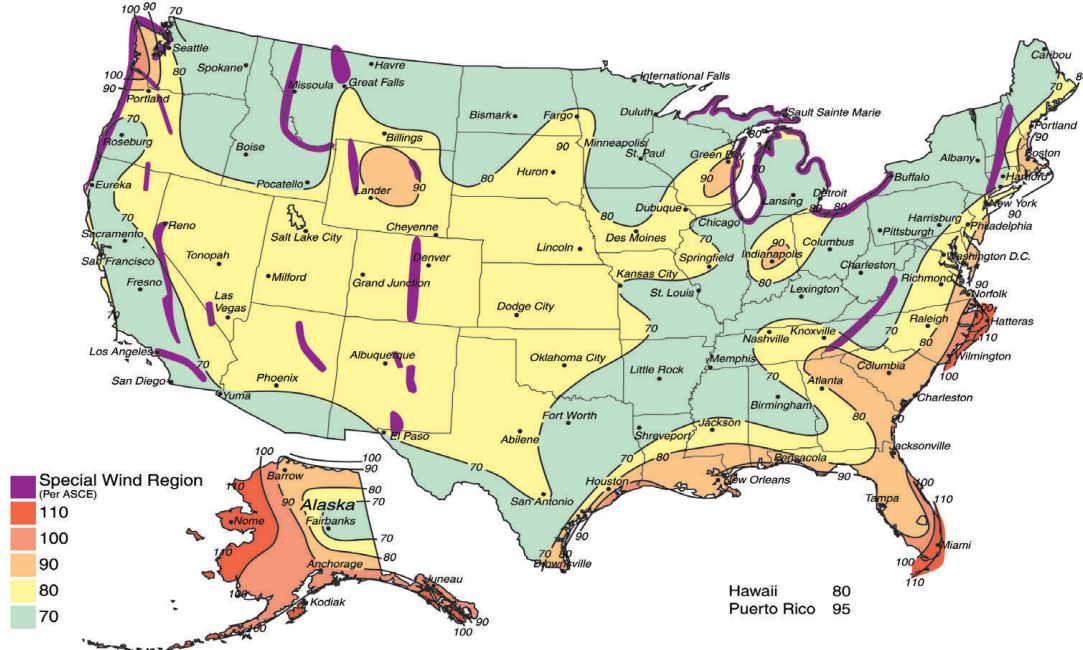


DIMENSION DATA

SKU	CATALOG	HEIGHT	GAUGE	SIZE	BOLT SIZE	WEIGHT (LBS)	EPA 70	EPA 80	EPA 90	EPA 100	EPA 110	EPA 120
741316	HAL-3-RDS-10FT-11G-D-BZ-KIT	10ft	11	3" dia.	M0.75"X 19.69"X 3.94"	72	26.2	22.5	20.1	16.4	11.3	9.6
741317	HAL-4-RDS-15FT-11G-D-BZ-KIT	15ft		4" dia.		95	17.8	14.6	12.3	10.9	8.2	6.4
741318	HAL-4-RDS-20FT-11G-D-BZ-KIT	20ft				143	11.9	9.1	8.8	6.8	5.5	3.8
741319	HAL-4-RDS-25FT-11G-D-BZ-KIT	25ft		5" dia.	176	10.9	7.9	6.7	5.3	4.6	3.1	
741320	HAL-5-RDS-30FT-11G-D-BZ-KIT	30ft			M0.75"X 19.69"X3.94"/ M0.95"X 36"X4"	242	8.5	6.6	5.7	4.2	3.2	2.1

Straight Round Steel Poles

Wind Region Map



Installation

1. Dig a hole in the installation position of the lamp pole. Fixed four fastener fittings according to the hole position of lamp pole and poured with cement concrete. (as shown in the figure)

2. Install 4 screws onto the stick and adjust to same water level, then place the square plate and screw tightly. Install the cover at the bottom of pole. (as shown in the figure)

ANCHORAGE GUIDE

Foundation Design

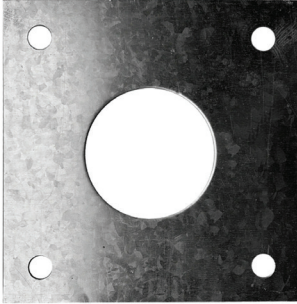
We offer Foundation design references due to variations in soil structure across different areas, and we do not assume any responsibility for this variability.

Reference design of Concrete size		
Specifications	Ø	H
10-15FT	31.5\"(800mm)	59.1\"(1500mm)
20-25FT	35.4\"(900mm)	70.9\"(1800mm)
30FT	35.4\"(900mm)	82.7\"(2100mm)

Straight Round Steel Poles

Anchor Bolt Kits – Contain Bolts & Positioning Plates

10FT-25FT POLE KIT #741305 HAL-ABOLT-RD-10-25FT-KIT



Anchor Bolt Positioning Plate
Prod Code-HAL-SPP235 SKU-741205
 This is a screw rod positioning plate. After the screw rod of the lamp rod base is fixed underground, the positioning plate is fixed with the screw rod to prevent the screw rod from deviation. Finally, the lamp rod is locked.

*** Replacement Item# 741205**



Base Mounting Screw
Prod Code-HAL-BMS-S SKU-741200

Before installing the lamp pole, the installation hook should be buried underground and fixed by cement After fixing, the lamp pole should be fixed by locking screw and base installed.

*** Replacement Item# 741200**

30FT POLE KIT #741306 HAL-ABOLT-RD-30FT-KIT



Anchor Bolt Positioning Plate
Prod Code-HAL-SPP235-TM24 SKU-741206
 This is a screw rod positioning plate. After the screw rod of the lamp rod base is fixed underground, the positioning plate is fixed with the screw rod to prevent the screw rod from deviation. Finally, the lamp rod is locked. (It is used in conjunction with HAL-SPP235-BM24 SKU - 741207 & HAL-BM24SL914-S SKU - 741201)

*** Replacement Item# 741206**



Anchor Bolt
Prod Code-HAL-BM24SL914-S SKU-741201

Before installing the lamp pole, the installation hook should be buried underground and fixed by cement After fixing, the lamp pole should be fixed by locking screw and base installed, (It is used in conjunction with HAL-SPP235-BM24 SKU - 741207 & HAL-SPP235-TM24 SKU - 741206)

*** Replacement Item# 741201**

30FT POLE OPTIONAL #741207 CROSS BAR POSITIONING PLATE



Cross Screw Positioning Plate
Prod Code-HAL-SPP235-BM24 SKU-741207
 This is a screw bottom cross positioning plate. It is used in conjunction with the top positioning plate HAL-BM24SL914-S SKU-741201 and HAL-SPP235-TM24 SKU - 741206 to fix the positioning plate with the screw to prevent the screw from deviating. Finally, the lamp pole locks.

*** Item# 741207 – Sold Separately**

Straight Round Steel Poles

Optional Mount Accessories-Sold Separately


TENON NOT INCLUDED IN POLE KIT - PURCHASED SEPARATELY - REQUIRED FOR BULLHORNS

ROUND EXTERNAL MOUNT HORIZONTAL TENON · To mount 2/3/4 fixtures on an existing pole



180° Double Bullhorn
HAL-RB2.5D180-D SKU-741218
 MAX EPA: 0.9
 Finish: Dark Bronze
 The Bracket is designed to mount over 2-3/8" (60mm) O.D. vertical tenon. Two fixtures can be mounted to the Round External Mount Horizontal Tenon and adjusted horizontally.

Item # 741218



180° Triple Bullhorn
HAL-RB2.5TR180-D SKU-741219
 MAX EPA: 1.4
 Finish: Dark Bronze
 The Bracket is designed to mount over 2-3/8" (60mm) O.D. vertical tenon. Three fixtures can be mounted to the Round External Mount Horizontal Tenon and adjusted horizontally.

Item # 741219



Triple 120° Horizontal Tenon Adapter
HAL-SB2.5TR120V-D D SKU-741221
 MAX EPA: 1.5
 Finish: Dark Bronze
 The Bracket is designed to mount over 2-3/8" (60mm) O.D. vertical tenon. Three fixtures can be mounted to the Round External Mount Horizontal Tenon and adjusted horizontally.

Item # 741221



90° Quad Bullhorn
HAL-RB2.5QD90 D SKU-741220
 MAX EPA: 1.5
 Finish: Dark Bronze
 The Bracket is designed to mount over 2-3/8" (60mm) O.D. vertical tenon. Four fixtures can be mounted to the Round External Mount Horizontal Tenon and adjusted horizontally.

Item # 741220

TENON NOT INCLUDED IN POLE KIT - PURCHASED SEPARATELY - REQUIRED FOR BULLHORNS



3" Round Pole Mount with 2-3/8" O.D. Tenon
Prod Code-HAL-VT3-D SKU-741215
 MAX EPA: 0.3
 Finish: Dark Bronze
 For use with round, non-tapered steel and aluminum poles. Furnished with four 3/8" hex head stainless-steel bolts. Vertical tenon measures 2-3/8" O.D.

Item# 741215



4" Round Pole Mount with 2-3/8" O.D. Tenon
Prod Code-HAL-VT4-D SKU-741216
 MAX EPA: 0.3
 Finish: Dark Bronze
 For use with round, non-tapered steel and aluminum poles. Furnished with four 3/8" hex head stainless-steel bolts. Vertical tenon measures 2-3/8" O.D.

Item# 741216



5" Round Pole Mount with 2-3/8" O.D. Tenon
Prod Code-HAL-VT5-D SKU-741217
 MAX EPA: 0.3
 Finish: Dark Bronze
 For use with round, non-tapered steel and aluminum poles. Furnished with four 3/8" hex head stainless-steel bolts. Vertical tenon measures 2-3/8" O.D., and is made of steel tubing.

Item# 741217


DATE: _____ LOCATION: _____
 TYPE: _____ PROJECT: _____
 CATALOG #: _____

Straight Round Steel Poles

Size: 3" (3" dia.), 4" (4" dia.), 5" (5" dia.)

Mount Replacement Accessories

REPLACEMENT BASE COVERS (INCLUDED WITH POLE KIT)



Install Base Shield
Prod Code-HAL-IBR3-D Sku-741210
 Finish: Dark Bronze
 The 3" Installation of base shield is used to protect the base after fixing the lamp pole, so that the lamp pole base is not damaged, thereby increasing the service life of the lamp pole.
*** Replacement Item# 741210**



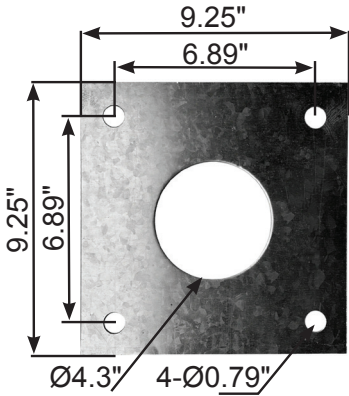
Install Base Shield
Prod Code-HAL-IBR4-D SKU-741211
 Finish: Dark Bronze
 The 4" Installation of base shield is used to protect the base after fixing the lamp pole, so that the lamp pole base is not damaged, thereby increasing the service life of the lamp pole.
*** Replacement Item# 741219**



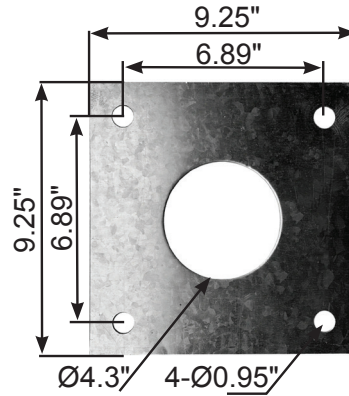
Install Base Shield
Prod Code-HAL-IBR5-D SKU-741212
 Finish: Dark Bronze
 The 5" Installation of base shield is used to protect the base after fixing the lamp pole, so that the lamp pole base is not damaged, thereby increasing the service life of the lamp pole.
*** Replacement Item# 741212**

Straight Round Steel Poles

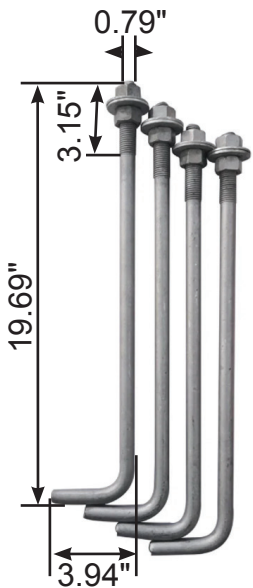
Dimensions



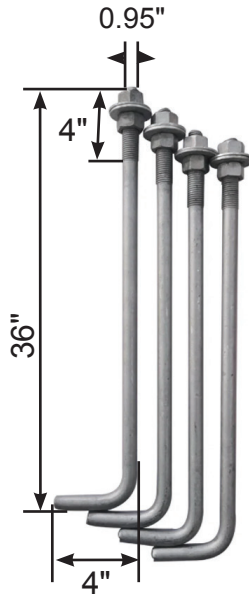
Anchor Bolt Positioning Plate
 HAL-SPP235
 *Replacement Item# 741205



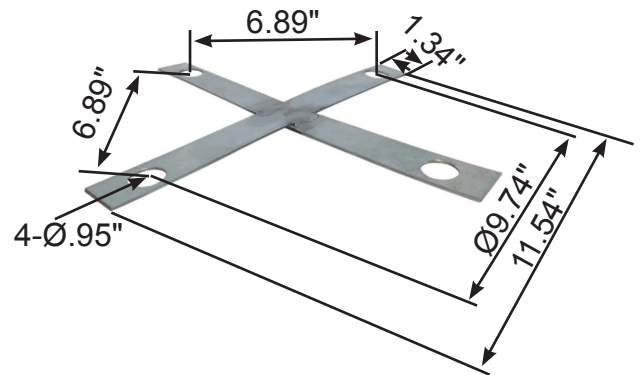
Anchor Bolt Positioning Plate
 HAL-SPP235-TM24
 *Replacement Item# 741206



Anchor Bolt
 HAL-BMS-S
 *Replacement Item# 741200



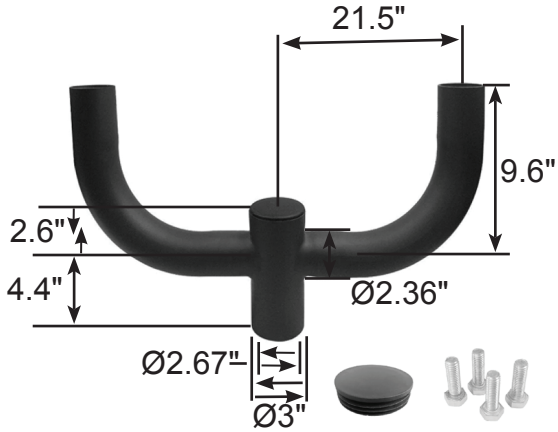
Anchor Bolt
 HAL-BM24SL 914-S
 *Replacement Item# 741201



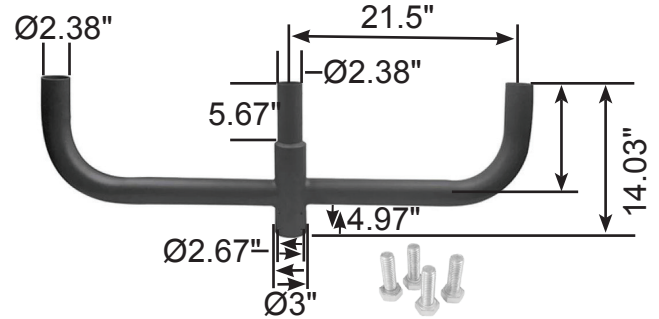
Cross Screw Positioning Plate
 HAL-SPP235-BM24
 *Replacement Item# 741207

Straight Round Steel Poles

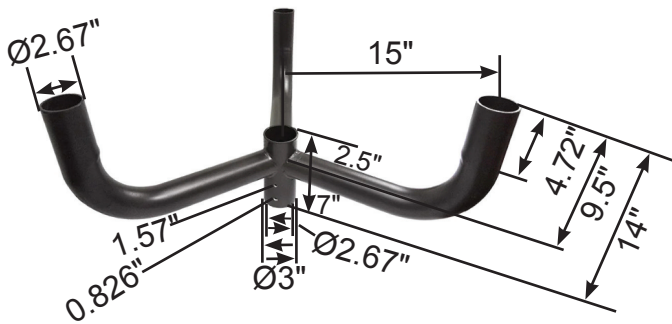
Dimensions



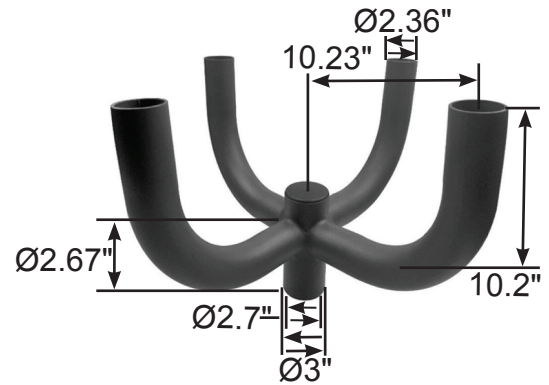
180° Double Bullhorn
 HAL-RB2.5D180-D
 Item# 741218



180° Triple Bullhorn
 HAL-RB2.5TR180-D
 Item# 741219



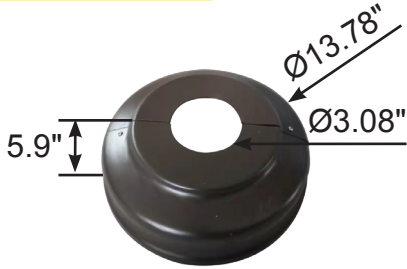
120° Triple Horizontal Tenon Adapter
 HAL-SB2.5TR120V-D
 Item# 741221



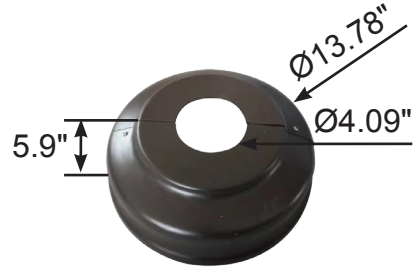
90° Quad Bullhorn
 Hal-RB2.5QD90
 Item# 741220

Straight Round Steel Poles

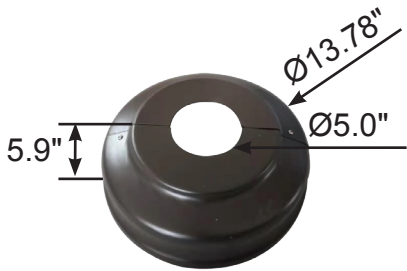
Dimensions



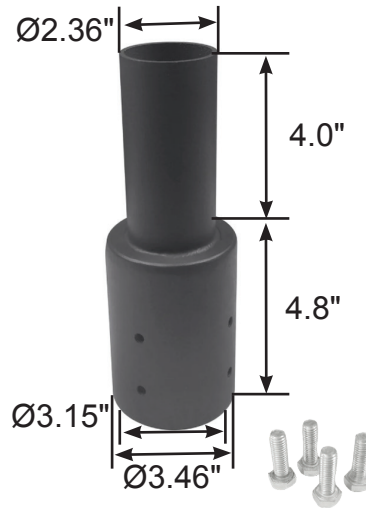
3in Install Base Shield
 HAL-IBR3-D
 *Replacement Item # 741210



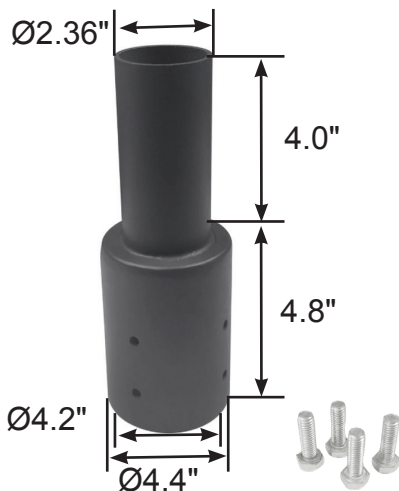
4in Install Base Shield
 HAL-IBR4-D
 *Replacement Item # 741211



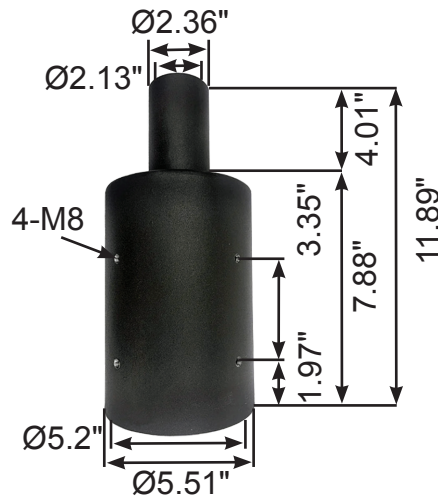
5in Install Base Shield
 HAL-IBR5-D
 *Replacement Item # 741212



3in Round Pole Mount
 with 2-3/8" O.D. Tenon HAL-VT3-D
 *Replacement Item # 741215



4in Round Pole Mount with 2-3/8" O.D. Tenon
 HAL-VT4-D
 *Replacement Item # 741216



5in Round Pole Mount with 2-3/8" O.D. Tenon
 HAL-VT5-D
 *Replacement Item # 741217