

## LED Lamps

### ProLED® Select PAR & BR Series

- 45W, 50W, 65W, 75W and 90W Equivalents
- Field Adjustable CCT
- Flood Beam Spread
- 90+ CRI
- Title 20 Certified

### Specifications

#### Description

Halco's ProLED Select PAR & BR Series delivers flexible, high-performance lighting in PAR20, PAR30, PAR38, BR20, BR30, and BR40 sizes. Each lamp features a consistent Flood beam and five selectable color temperatures with a high 90+ CRI for vibrant, true-to-life color. Designed to adapt to any space—residential or commercial—these lamps simplify stocking and installation while meeting CEC Title 20 requirements. Energy efficient and versatile, the Select PAR & BR Series combines modern performance with dependable quality, all in one convenient solution.

#### Performance

- Selectable color temperatures 2700K, 3000K, 3500K, 4000K, 5000K
- Up to 97 lumens per watt
- 527 to 1221 lumen options
- CRI 90+
- L70 Lumen maintenance > 15,000 hours
- Triac dimmable
- 120V
- -20°C to 40°C operating temperature
- 2 Year limited warranty

#### Construction

- PAR: Concave parabolic plastic lens
- BR: Standard opaque plastic lens
- White plastic housing



#### Applications

- Residential
- Commercial
- Downlights
- Healthcare
- Hospitality
- Retail
- K-12 Schools and Higher Education

#### Certifications

- ETL listed for damp locations
- RoHS compliant
- FCC part 15 compliant
- Title 20 compliant

## ProLED® Select PAR & BR Series

### Ordering Logic:

Wattage / Shape	Beam Angle	Technology	CRI / CCT	Dimming	Standard
<b>7PAR20</b> = 7W, PAR20 Lamp <b>10PAR30</b> = 10W, PAR30 Lamp <b>13PAR38</b> = 13W, PAR38 Lamp <b>6BR20</b> = 6W, BR20 Lamp <b>9BR30</b> = 9W, BR30 Lamp <b>13BR40</b> = 13W, BR40 Lamp	FL = Flood	LED	<b>9CS</b> = 90 CRI, Color Selectable 2700K-3000K-3500K-4000K-5000K	D = Dimmable	T20 = Title 20

### Ordering Information

Product SKU	Product Code	Product Description	Equiv Watts
83217	7PAR20-FL-LED-9CS-D-T20	LED PAR20 Flood (40D) Color Selectable 2700K-5000K 7W 550 Lumens (50W Equiv) Dimmable T20	50W
83218	10PAR30-FL-LED-9CS-D-T20	LED PAR30L Flood (40D) Color Selectable 2700K-5000K 10W 850 Lumens (75W Equiv) Dimmable T20	75W
83219	13PAR38-FL-LED-9CS-D-T20	LED PAR38 Flood (40D) Color Selectable 2700K-5000K 13W 1100 Lumens (90W Equiv) Dimmable T20	90W
83220	6BR20-FL-LED-9CS-D-T20	LED BR20 Flood (110D) Color Selectable 2700K-5000K 6W 525 Lumens (45W Equiv) Dimmable T20	45W
83221	9BR30-FL-LED-9CS-D-T20	LED BR30 Flood (110D) Color Selectable 2700K-5000K 8.5W 700 Lumens (65W Equiv) Dimmable T20	65W
83222	13BR40-FL-LED-9CS-D-T20	LED BR40 Flood (110D) Color Selectable 2700K-5000K 13W 1100 Lumens (90W Equiv) Dimmable T20	90W

### Performance Table

Product Code	Wattage	2700K		3000K		3500K		4000K		5000K	
		Lumen (lm)	Efficacy (lm/W)	Lumen (lm)	Efficacy (lm/W)	Lumen (lm)	Efficacy (lm/W)	Lumen (lm)	Efficacy (lm/W)	Lumen (lm)	Efficacy (lm/W)
<b>7PAR20-FL-LED-9CS-D-T20</b>	7	581	86	591	87	608	90	598	89	551	82
<b>10PAR30-FL-LED-9CS-D-T20</b>	10	885	90	925	94	957	97	950	95	891	91
<b>13PAR38-FL-LED-9CS-D-T20</b>	13	1102	88	1167	92	1221	95	1215	95	1104	88
<b>6BR20-FL-LED-9CS-D-T20</b>	6	527	91	530	91	537	93	550	94	529	91
<b>9BR30-FL-LED-9CS-D-T20</b>	8.5	710	88	720	87	750	91	748	91	718	88
<b>13BR40-FL-LED-9CS-D-T20</b>	13	1119	92	1179	97	1156	97	1192	97	1102	91

## ProLED® Select PAR & BR Series

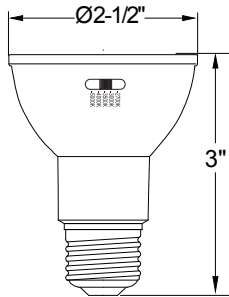
### Specifications Table

	7PAR20-FL-LED-9CS-D-T20	10PAR30-FL-LED-9CS-D-T20	13PAR38-FL-LED-9CS-D-T20	6BR20-FL-LED-9CS-D-T20	9BR30-FL-LED-9CS-D-T20	13BR40-FL-LED-9CS-D-T20
<b>Nominal Wattage</b>	7W	10W	13W	6W	8.5W	13W
<b>Delivered Lumens</b>	551lm - 608lm	885lm - 957lm	1102lm - 1221lm	527lm - 550lm	710lm - 750lm	1102lm - 1192lm
<b>Efficacy (lm/W)</b>	82LPW - 90LPW	90LPW - 97LPW	88LPW - 95LPW	91LPW - 94LPW	87LPW - 91LPW	91LPW - 97LPW
<b>CCT</b>	Selectable 27000K, 3000K, 3500K, 4000K or 5000K					
<b>CRI</b>	90					
<b>L70 Lifetime (hrs)</b>	15,000					
<b>Voltage</b>	120V					
<b>Power Factor</b>	0.7					
<b>Dimming</b>	Yes (Triac)					
<b>Housing Material</b>	Polyamide (PA) Plastic			Polybutylene Terephthalate (PBT) Plastic		
<b>Lens</b>	Plastic Concave Parabolic			Plastic Standard Opaque		
<b>Operating Temperature (Min)</b>	-20°C					
<b>Operating Temperature (Max)</b>	40°C					
<b>Listings</b>	cETLus - FCC - RoHS - Title 20 - Damp Location Rated					
<b>Environment</b>	Damp Location					
<b>Warranty (Years)</b>	2					
<b>Weight (lbs.)</b>	0.099	0.174	0.282	0.099	0.132	0.313
<b>Operating Position</b>	Universal					
<b>Frequency</b>	60Hz					

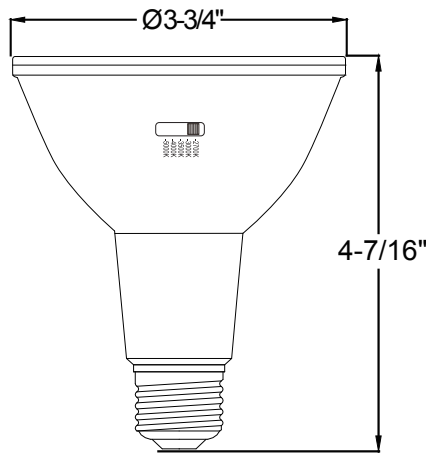
**ProLED® Select PAR & BR Series**

**Dimensions**

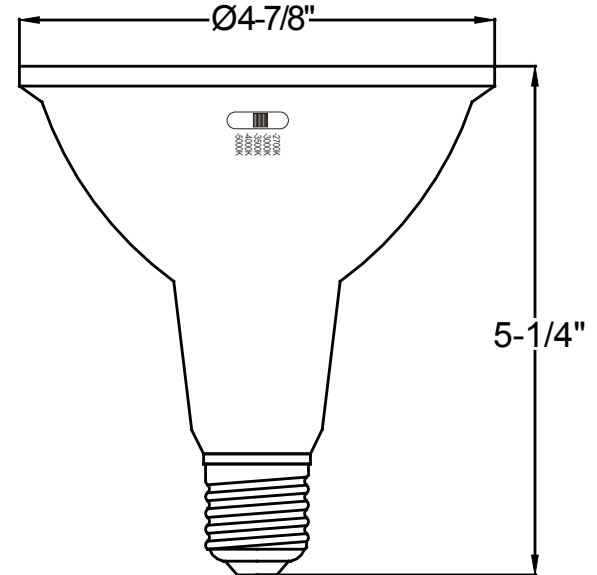
7PAR20-FL-LED-9CS-D-T20



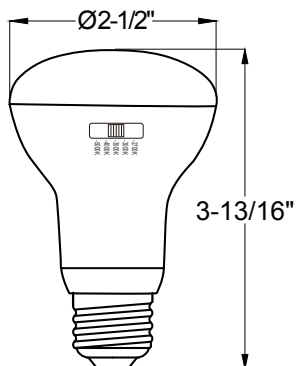
10PAR30-FL-LED-9CS-D-T20



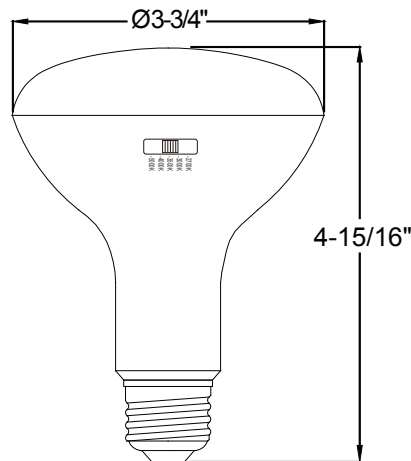
13PAR38-FL-LED-9CS-D-T20



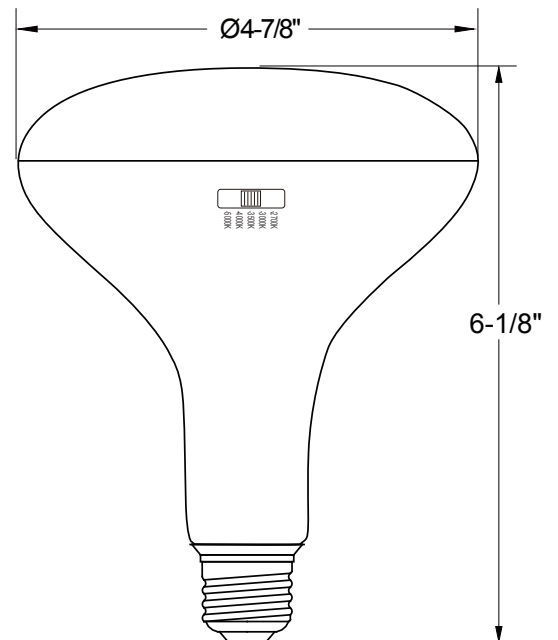
6BR20-FL-LED-9CS-D-T20



9BR30-FL-LED-9CS-D-T20



13BR40-FL-LED-9CS-D-T20



## ProLED® Select PAR & BR Series

### Dimmer Compatibility List

Dimmer Brand	Dimmer Model	83217	83218	83219	83220	83221	83222
Leviton	6672	●	●	●	●	●	●
Leviton	6674	●	●	●	●	●	●
Lutron	LGCL-153P	●	●	●	●	●	●
Lutron	DVCL-153P	●	●	●	●	●	●
Lutron	CTCL-153P	●	●	●	●	●	●
Lutron	MAELV-600	●	●	●	●	●	●