

LED Luminaires

ProLED Essential Linear High Bay Series

- Compact Design To Reduce Shipping Costs, and Reduce Installation Time
- Big performance, 15,000 to 31,000 Lumens
- 2 Static SKUs to Simplify Stocking
- Operates in Ambient Temperatures up to 50° C
- Frosted Acrylic Lens To Eliminate Glare

Specifications



Description

The Essential Compact Linear High Bay (ECLHB) combines affordability and reliability for light-duty industrial and warehouses applications. Designed to be smaller, and easier to install with a durable die-cast aluminum housing and matte acrylic lens to eliminate glare, the ECLHB is the ideal choice for retrofit and new construction.

Performance

- 5000K CCT
- 136+ Lumens per watt
- 80+ CRI
- L70 Lumen Maintenance 50,000 Hours
- 0-10V Dimming
- 120-277VAC Inpt
- 5 Year Limited Warranty

Construction

- Die-cast aluminum housing
- Acrylic, matte lens
- ½" Knock outs on top, sides and bottom
- Chain and v hook mount (standard)
- Wire guard, Pendant Mount, Surface Mount (accessories)
- Optional stepdown transformer
- Optional battery backup

Certifications

- DLC 5.1 Premium
- cULus
- UL
- ROHS compliant
- FCC
- Environmental Rating IP20, UL Damp Location Rating

Controls

- 0-10 VDC dimming standard
- RF bi-level occupancy sensing
- PIR bi-level occupancy sensing

ProLED Essential Linear High Bay Series

Ordering Logic

Series	Wattage	CCT	Voltage	Options
ECLHB = Essential Compact Linear High Bay	110 = 110W 220 = 220W	50 = 5000K	U = 120-277VAC H = 347-480VAC	EM = Battery Backup PIRMS = Side Mount PIR Occupancy Sensing

Ordering Information

Product SKU	Product Code	Product Description
36104	ECLHB-110-50-U	ProLED Essential Compact Linear High Bay (14,960 lumens, 110W) 5000K, Universal Voltage 120-277VAC with Chain and V Hook Mount
36105	ECLHB-220-50-U	ProLED Essential Compact Linear High Bay (29,920 lumens, 220W) 5000K, Universal Voltage 120-277VAC with with Chain and V Hook Mount
Accessories		
24875*	DCMS	DC Bi-Level Motion Sensor
24975	DCMSPIR	DC Bi-Level PIR (Passive Infrared) Motion Sensor
24876	DCMS-REM	DC Bi-Level Motion Sensor Remote
99986	LHB/MC	(0-10V) Motion Control Sensor LSXR 610 HL - Side Knockout Install
36148	CLHB-1-A-WG	Wire Guard for ECLHB-110
36150	CLHB-34-A-WG	Wire Guard for ECLHB-220
36151	CLHB-12-M-PEND	Pendant Mount for ECLHB-110
36152	CLHB-12-M-SURF	Surface Mount for ECLHB-110
36153	CLHB-34-M-PEND	Pendant Mount for ECLHB-220
36154	CLHB-34-M-SURF	Surface Mount for ECLHB-220
36155	CLHB-BBU-9	Battery Backup (9W/90Min) ECLHB
36156	CLHB-12-DR-480V	Driver (150W) 277-480VAC for ECLHB-110
36157	CLHB-3-DR-480V	Driver (200W) 277-480VAC for ECLHB-220

*When using CLHB-BBU-9 or 16 and DCMS Motion Sensor, DCMS sensor must be set to ∞ standby time on the motion sensor remote. This setting allows fixture to not turn off in EM mode.

ProLED Essential Linear High Bay Series

Non Stock Product SKU	Product Code	Product Description
36134	ECLHB-110-50-U-PIRMS	ProLED Essential Compact Linear Highbay 110W 5000K, Universal Voltage 120-277VAC with Suspended Chain Mount with PIR Motion Sensor
36135	ECLHB-110-50-U-EM	ProLED Essential Compact Linear Highbay 110W 5000K, Universal Voltage 120-277VAC with Suspended Chain Mount with Emergency Battery Backup
36136	ECLHB-110-50-U-EM-PIRMS	ProLED Essential Compact Linear Highbay 110W 5000K, Universal Voltage 120-277VAC with Suspended Chain Mount with Emergency Battery Backup and PIR Motion Sensor
36137	ECLHB-110-50-H	ProLED Essential Compact Linear Highbay 110W 5000K, Universal Voltage 277-480VAC with Suspended Chain Mount
36138	ECLHB-110-50-H-PIRMS	ProLED Essential Compact Linear Highbay 110W 5000K, Universal Voltage 277-480VAC with Suspended Chain Mount with PIR Motion Sensor
36139	ECLHB-110-50-H-EM	ProLED Essential Compact Linear Highbay 110W 5000K, Universal Voltage 277-480VAC with Suspended Chain Mount with Emergency Battery Backup
36140	ECLHB-110-50-H-EM-PIRMS	ProLED Essential Compact Linear Highbay 110W 5000K, Universal Voltage 277-480VAC with Suspended Chain Mount with Emergency Battery Backup and PIR Motion Sensor
36141	ECLHB-220-50-U-PIRMS	ProLED Essential Compact Linear Highbay 220W 5000K, Universal Voltage 120-277VAC with Suspended Chain Mount with PIR Motion Sensor
36142	ECLHB-220-50-U-EM	ProLED Essential Compact Linear Highbay 220W 5000K, Universal Voltage 120-277VAC with Suspended Chain Mount with Emergency Battery Backup
36143	ECLHB-220-50-U-EM-PIRMS	ProLED Essential Compact Linear Highbay 220W 5000K, Universal Voltage 120-277VAC with Suspended Chain Mount with Emergency Battery Backup and PIR Motion Sensor
36144	ECLHB-220-50-H	ProLED Essential Compact Linear Highbay 220W 5000K, Universal Voltage 277-480VAC with Suspended Chain Mount
36145	ECLHB-220-50-H-PIRMS	ProLED Essential Compact Linear Highbay 220W 5000K, Universal Voltage 277-480VAC with Suspended Chain Mount with PIR Motion Sensor
36146	ECLHB-220-50-H-EM	ProLED Essential Compact Linear Highbay 220W 5000K, Universal Voltage 277-480VAC with Suspended Chain Mount with Emergency Battery Backup
36147	ECLHB-220-50-H-EM-PIRMS	ProLED Essential Compact Linear Highbay 220W 5000K, Universal Voltage 277-480VAC with Suspended Chain Mount with Emergency Battery Backup and PIR Motion Sensor

DATE: _____ LOCATION: _____
 TYPE: _____ PROJECT: _____
 CATALOG #: _____

ProLED Essential Linear High Bay Series



110W



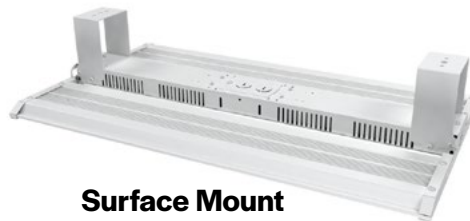
220W

Product Selector

Watts	Color Temp	Base Part # 120-277V	With DC Bi-Level PIR Motion Sensor	With 480V	480V With DC Bi-Level PIR Motion Sensor	With Emergency Battery Backup	Battery Backup With DC Bi-Level PIR Motion Sensor	480V with Emergency Battery Backup	480V with Emergency Battery Backup and With DC Bi-Level PIR Motion Sensor
110W 14,960 Lumens	5000K	36104	36134	36137	36138	36135	36136	36139	36140
220W 29,920 Lumens	5000K	36105	36141	36144	36145	36142	36143	36146	36147



Pendant Mount



Surface Mount

Mount Selector

Product SKU	Product Description
36151	Pendant Mount for ECLHB-110
36153	Pendant Mount for ECLHB-220
36152	Surface Mount for ECLHB-110
36154	Surface Mount for ECLHB-220

ProLED Essential Linear High Bay Series

Specifications Table

	ECLHB-110-50-U	ECLHB-220-50-U
Nominal Wattage	110W	220W
Delivered Lumens	14,960 Lumens	29,920 Lumens
Efficacy (lm/W)	142 LPW	145 LPW
CCT	5000K	
CRI	80+	
L70 Lifetime (hrs)	50,000	
Voltage	120-277VAC	
Power Factor	>0.9	
Dimming	0-10V	
Housing Material	Die-cast Aluminum with Powder Coated Finish	
Lens	Acrylic	
Operating Temperature	-30° TO 50°	
BUG	B4 U3 G1	B4 U5 G1
Listings	UL, cUL, DLC 5.1 Premium	
Environment	Environmental Rating IP20, UL Damp Location Rating	
Weight	5.73	9.26 lbs
Warranty	5 Years Standard	

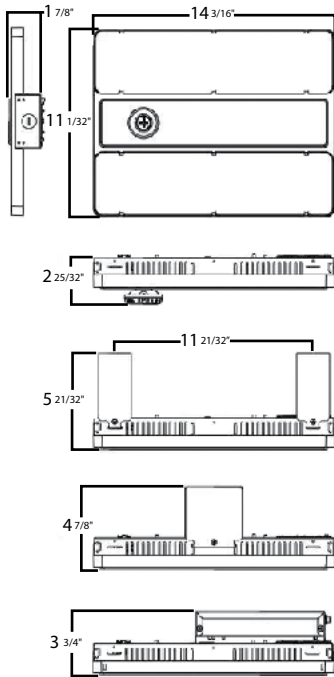
Performance Table

		5000K	
Product Code	Wattage	Lumen(lm)	Efficacy(lm/W)
ECLHB-110-50-U	110W	15620	142
ECLHB-220-50-U	220W	31900	145

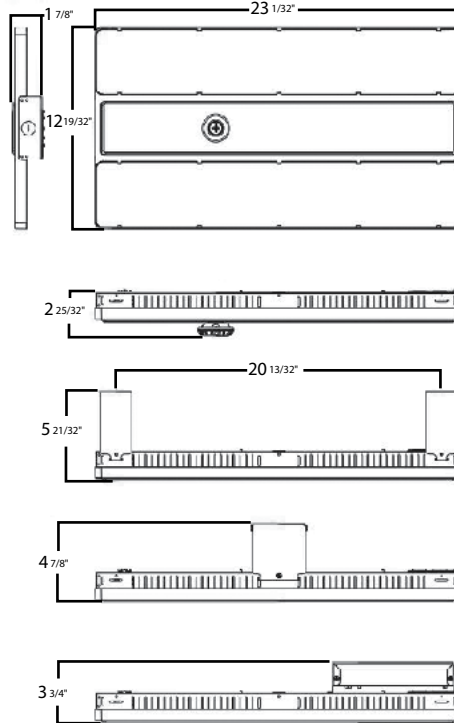
ProLED Essential Linear High Bay Series

Dimensions

ECLHB-110



ECLHB-220

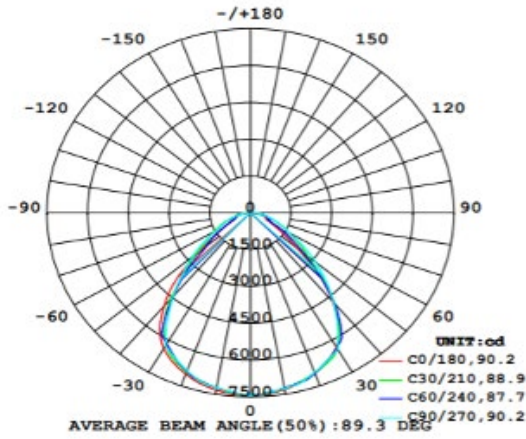


LED Luminaires

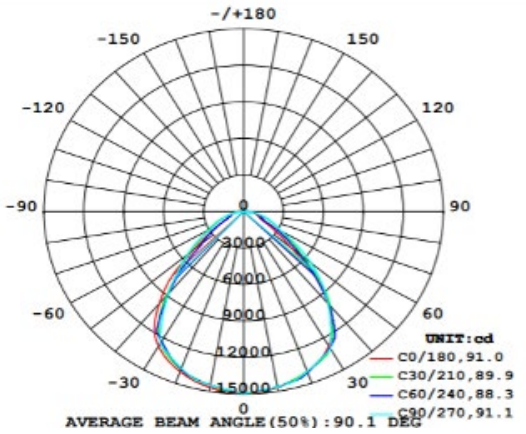
ProLED Essential Linear High Bay Series

Photometrics

Luminous Intensity Distribution Curve



ECLHB-110 5000K		
ZONE	LUMENS	% LAMP LUMENS
(0°-30°)	2847	18.2
(30°-60°)	4057	25.9
(60°-80°)	882	5.6
(80°-90°)	127	0.8
(0°-30°)	2827	18.1
(30°-60°)	3837	24.5
(60°-80°)	829	5.3
(80°-90°)	97	0.6
(90°-100°)	5	0.0
(100°-180°)	97	0.6



ECLHB-220 5000K		
ZONE	LUMENS	% LAMP LUMENS
(0°-30°)	5588	18.0
(30°-60°)	7881	25.4
(60°-80°)	1678	5.4
(80°-90°)	241	0.8
(0°-30°)	5598	18.0
(30°-60°)	7883	25.4
(60°-80°)	1668	5.4
(80°-90°)	229	0.7
(90°-100°)	11	0.0
(100°-180°)	246	0.8

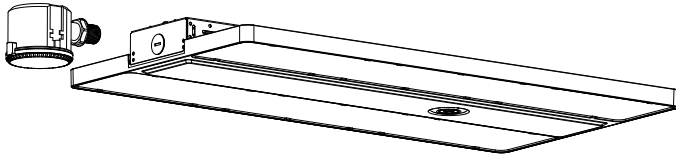
*For complete photometry/IES files, please contact the factory. For all IES files please visit halcolighting.com

ProLED Essential Linear High Bay Series

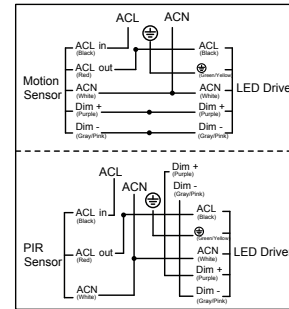
Controls

Motion Sensor / PIR Sensor:

Product SKU	Product Code	Product Description
99986	LHB/MC	(0-10V) Motion Control Sensor LSXR 610 HL - Side Knockout Install

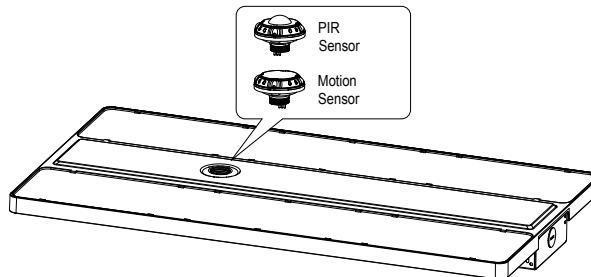


Wiring Instruction



DC Motion Sensor / PIR Sensor:

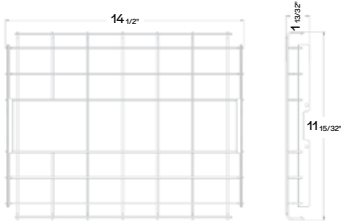
Product SKU	Product Code	Product Description
24975	DCMSPIR	DC Bi-Level PIR (Passive Infrared) Motion Sensor, order minimum one remote (24876) per site
24875	DCMS	DC Bi-Level Motion Sensor, order minimum one remote (24876) per site
24876	DCMS-REM	DC Bi-Level Motion Sensor Remote



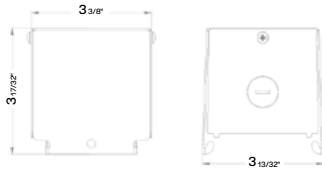
LED Luminaires

ProLED Essential Linear High Bay Series

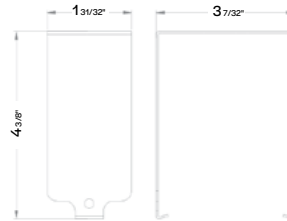
Wire Guard for ECLHB-110



Pendant Mount for ECLHB-110



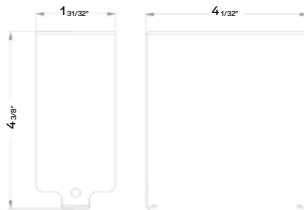
Surface Mount for ECLHB-110



Pendant Mount ECLHB-220



Surface Mount ECLHB-220



Wire Guard ECLHB-220



Accessories Ordering Information

Accessories purchased separately

Product SKU	Product Code	Product Description
36148	CLHB-1-A-WG	Wire Guard for ECLHB-110
36150	CLHB-34-A-WG	Wire Guard for ECLHB- 220
36151	CLHB-12-M-PEND	Pendant Mount for ECLHB- 220
36152	CLHB-12-M-SURF	Surface Mount for ECLHB-110
36153	CLHB-34-M-PEND	Pendant Mount for ECLHB- 220
36154	CLHB-34-M-SURF	Surface Mount for ECLHB- 220
36155	CLHB-BBU-9	Battery Backup (9W/90Min) for ECLHB-110 and ECLHB- 220
36156	CLHB-12-DR-480V	Driver (150W) 277-480VAC for ECLHB- 220
36158	CLHB-4-DR-480V	Driver (320W) 277-480VAC for ECLHB- 220

*When using CLHB-BBU-9 or 16 and DCMS Motion Sensor, DCMS sensor must be set to ∞ standby time on the motion sensor remote. This setting allows fixture to not turn off in EM mode.