

## LED Luminaires

### ProLED Select Linear Architectural Wrap Fixture

- Wattage and Color (CCT) Selectable
- 0-10V Dimming
- 2ft and 4ft Versions Available
- Multiple Mounting Options

### Specifications



### Description

The ProLED Select Linear Architectural Wrap Fixture will be a new addition to our already successful ProLED Linear Wrap family. This fixture features multiple mounting options, a simple 'snap on' lens and a large wiring compartment making installation a breeze. They will be available in 2ft and 4ft housings and are CCT Selectable and Wattage Selectable. This ProLED Select Linear Architectural Wrap provides optimal performance and versatility and is an ideal solution for general ambient lighting in commercial applications.

### Performance

- Wattage selectable:  
2FT - 15/20/25W, 4FT - 20/30/40W
- Field selectable color temperature:  
3500K, 4000K, 5000K
- Efficacy of > 130 lumens per watt
- L70 lumen maintenance: 50,000 hours
- 120-277VAC
- Color rendering index (CRI) > 80
- Operating temperature: -20°C to 40°C
- Suitable for use in closets when installed in accordance with NFPA 70, NEC section 410.16 (A)(3) and 410.16 (C)(5)
- 5 Year warranty

### Certifications

- Damp location
- UL certified
- DLC 5.1 premium for stairway, standard for linear ambient

### Construction

- White steel housing
- Prismatic polycarbonate lens

### Controls

- Bi-level motion sensor

### Applications

- Stairways
- Commercial

## ProLED Select Linear Architectural Wrap Fixture

### Ordering Logic: EX: LWA-2-WS-CS-U

Series	Product Size	Wattage	CCT	Voltage	Options
LWA = Linear Wrap Architectural	2 = 2 FT 4 = 4 FT	WS = Wattage Selectable 15/20/25W 20/30/40W	CS = Color Selectable 3500K/4000K/5000K	U = 120-277VAC	MS = Motion Sensor BBU = Battery Backup

### Ordering Information

Product SKU	Product Code	Product Description
90380	LWA-2-WS-CS-U	ProLED Select Linear Wrap 2ft Selectable Wattage and CCT 120-277VAC
90381	LWA-4-WS-CS-U	ProLED Select Linear Wrap 4ft Selectable Wattage and CCT 120-277VAC
<b>Accessories</b>		
90382	LWA-SK-VH	ProLED Select Linear Wrap Suspension Kit with V Hook
90385	LWA-45-MB	ProLED Select Linear Wrap 45 Degree Mounting Bracket
90386	LWA-EC	ProLED Select Linear Wrap Replacement End Caps No Knock Out
<b>Options</b>		
80313	MWMS-BRI810	Microwave Motion Sensor Sharkward Internal Mount
28093	LVPT-MS	LVPT DC Microwave Motion Sensor HB001VCR1
99986	LHB/MC	(0-10V) Motion Control Sensor LSXR 610 HL
90313	BBU/EM9WU	Battery Backup Emergency 9W 120-277V 90 Minute 0-10V Dimming

### Performance Table

Product Code	Selectable Wattage	3500K		4000K		5000K	
		Lumen Output (lm)	Efficacy	Lumen Output (lm)	Efficacy	Lumen Output (lm)	Efficacy
LWA-2-WS-CS-U	15	1950	130	2070	138	1980	132
	20	2600	130	2760	138	2640	132
	25	3221	130	3319	138	3278	132
LWA-4-WS-CS-U	20	2600	130	2760	138	2620	131
	30	3900	130	4140	138	3930	131
	40	5071	130	5235	138	5130	131

## ProLED Select Linear Architectural Wrap Fixture

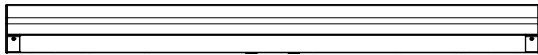
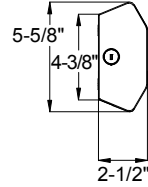
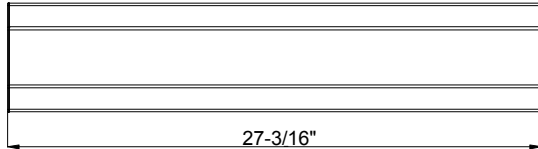
### Specifications Table

	LWA-2-WS-CS-U	LWA-4-WS-CS-U
<b>Wattage</b>	15-20-25W	20-30-40W
<b>Delivered Lumens</b>	1950-3319	2600-5235
<b>Efficacy</b>	>130	
<b>Selectable CCT</b>	3500K, 4000K, 5000K	
<b>CRI</b>	>80	
<b>L70 Lifetime (Hrs)</b>	50000	
<b>Voltage</b>	120-277VAC	
<b>Power Factor</b>	0.9	
<b>Dimming</b>	0-10V	
<b>Housing</b>	Steel	
<b>Lens</b>	Prismatic Polycarbonate	
<b>Operating Temperature</b>	-20°C to 40°C	
<b>Listings</b>	UL Certified, DLC, RoHS, FCC	
<b>Environment</b>	UL Listed for Dry/Damp Locations	
<b>Warranty</b>	5 Years	

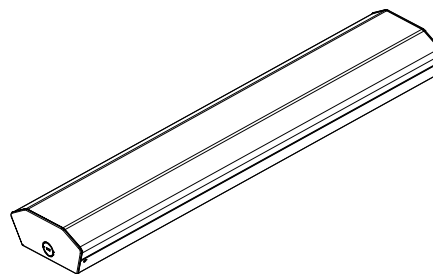
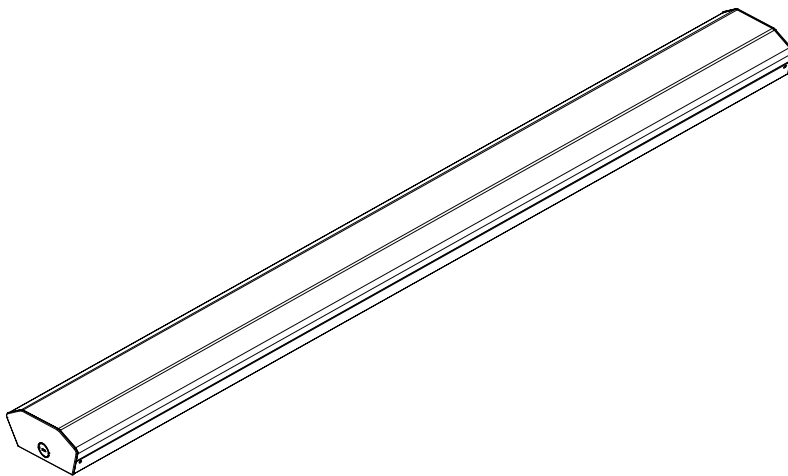
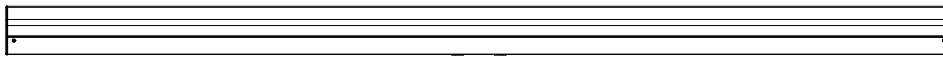
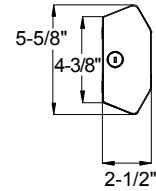
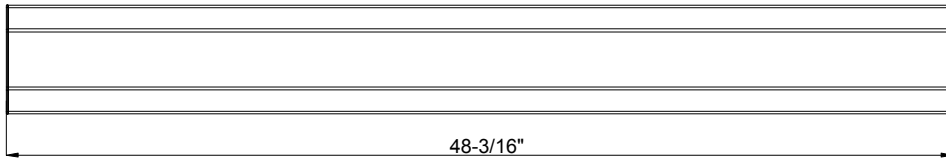
## ProLED Select Linear Architectural Wrap Fixture

### Dimensions

LWA-2-WS-CS-U



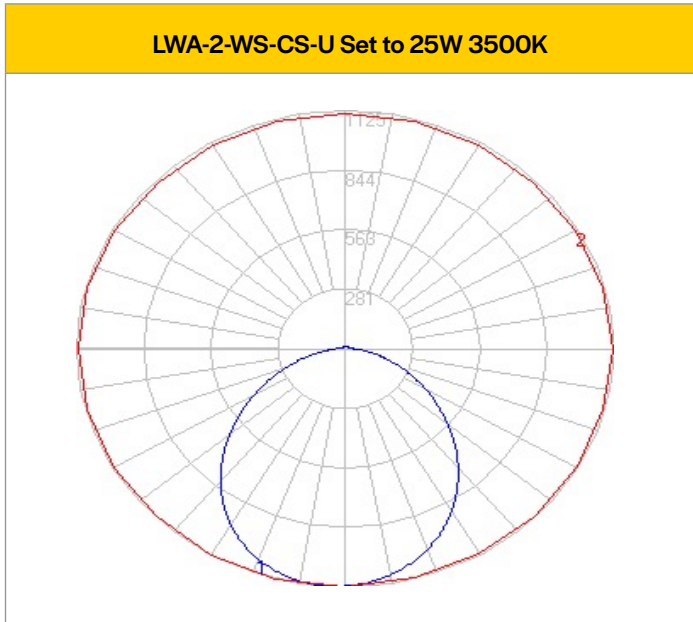
LWA-4-WS-CS-U



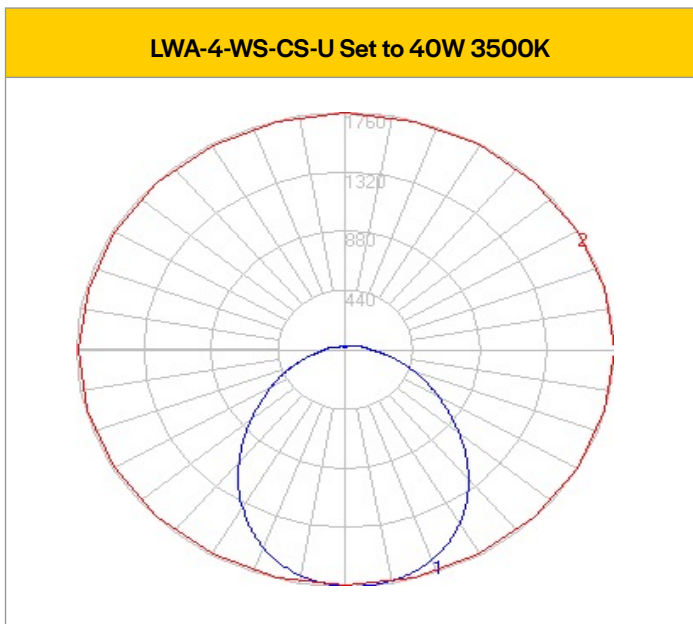
## ProLED Select Linear Architectural Wrap Fixture

### Photometrics\*

\*The below diagrams and zonal lumen summaries represent each fixture at highest wattage selection and at 3000K. For complete photometry/IES files, please contact the factory.



Zonal Lumen Summary			
Zone	Lumens	%Lamp	%Fixt
0-20	408.61	N.A.	13.1
0-30	860.02	N.A.	27.6
0-40	1385.94	N.A.	44.4
0-60	2344.58	N.A.	75.1
0-80	2874.07	N.A.	92.1
0-90	2969.57	N.A.	95.2
10-90	2863.48	N.A.	91.8
20-40	977.32	N.A.	31.3
20-50	1494.89	N.A.	47.9
40-70	1285.72	N.A.	41.2
60-80	529.49	N.A.	17
70-80	202.41	N.A.	6.5
80-90	95.5	N.A.	3.1
90-110	79.99	N.A.	2.6
90-120	100.4	N.A.	3.2
90-130	116.96	N.A.	3.7
90-150	140.05	N.A.	4.5
90-180	151.35	N.A.	4.8
110-180	71.36	N.A.	2.3
0-180	3120.93	N.A.	100
Total Luminaire Efficiency = N.A.%			



Zonal Lumen Summary			
Zone	Lumens	%Lamp	%Fixt
0-20	641.92	N.A.	12.4
0-30	1359.09	N.A.	26.3
0-40	2210.45	N.A.	42.8
0-60	3819.63	N.A.	73.9
0-80	4744.18	N.A.	91.8
0-90	4912.49	N.A.	95.1
10-90	4746.38	N.A.	91.9
20-40	1568.53	N.A.	30.4
20-50	2427.56	N.A.	47
40-70	2177.59	N.A.	42.1
60-80	924.55	N.A.	17.9
70-80	356.14	N.A.	6.9
80-90	168.31	N.A.	3.3
90-110	137.94	N.A.	2.7
90-120	172.44	N.A.	3.3
90-130	199.58	N.A.	3.9
90-150	236.96	N.A.	4.6
90-180	254.89	N.A.	4.9
110-180	116.94	N.A.	2.3
0-180	5167.38	N.A.	100