



## LED Panel

### ProLED® Edgelit Panel Series



ProLED® Edge Lit Panel Series are a long life and energy efficient replacement for traditional lamps. Dimmable and easy to install, they deliver a maintenance-free experience with a 50,000-hour useful rated life. With its superior LED technology and performance, the Edge Lit Panel Series deliver consistent color, uniform illumination, and a long life for your lighting design.



**0-10V Dimmable**

**Lightweight, Low Profile Design**

**50,000 Hour Lifespan**

**5 Year Warranty**

**IC Rated**

**Applications:**

- Office
- Retail
- Healthcare
- Education
- Hospitality



Contact Your Customer Care Specialist  
For Pricing, Orders And Technical Support.

800.677.3334 [www.halcolighting.com](http://www.halcolighting.com)

# ProLED® Edgelit Panel Series

Product #: \_\_\_\_\_ Type: \_\_\_\_\_

Project: \_\_\_\_\_ Date: \_\_\_\_\_

Comments: \_\_\_\_\_ Initials: \_\_\_\_\_

## Performance

- CRI > 82
- Rated Life - 50,000 hours
- Watts - 30W, 50W
- Lumens - 3000-5300 lm
- Lumens per Watt (LPW)
- Input Line Voltage - 120-277V
- Input Line Frequency - 150/60 HZ
- Min. Start Temp. - 0°C (-20°F) - 20°C (-4°F)
- Max. Operating Temp. - 40°C (104°F)
- Power Factor >0.95%
- Warranty - 5-Year
- Control - Dimmable to 10% (0-10V)
- Weight - 7.96, 15.2 lbs

## Electrical

- 120-277V Input
- 50/60 Hz Input frequency
- Dimmable to 10% (0-10V)
- Power Factor >0.95%

## Installation

- Universal mounting clips for varying ceiling thickness
- Fast access terminal block for easy thru-wire (up to 12 gauge wire size)
- Emergency battery options for all color temperatures

## Construction

- 50,000 hour life results in lower maintenance costs over time
- Frosted lens for smooth, even and comfortable light distribution
- ETL approved for damp locations
- RoHS compliant
- Dimmable to 10% (0-10V)
- DLC 5.1 standard
- Offset driver box mounting for challenging plennem mounting
- IC rated

## Ordering Information

Product Code	SKU	Description
<b>1x4</b>		
14EPL40/835/LED	81982	ProLED Edge-Lit Flat Panel 1x4 40W 3500K 0-10V Dimmable
14EPL40/840/LED	81983	ProLED Edge-Lit Flat Panel 1x4 40W 4000K 0-10V Dimmable
14EPL40/850/LED	81984	ProLED Edge-Lit Flat Panel 1x4 40W 5000K 0-10V Dimmable
<b>1x4 with Emergency Backup</b>		
14EPL40/835/EM/LED	81988	ProLED Edge-Lit Flat Panel 1x4 40W 3500K 0-10V Dimmable w/Battery Backup
14EPL40/840/EM/LED	81989	ProLED Edge-Lit Flat Panel 1x4 40W 4000K 0-10V Dimmable w/Battery Backup
14EPL40/850/EM/LED	81990	ProLED Edge-Lit Flat Panel 1x4 40W 5000K 0-10V Dimmable w/Battery Backup
<b>2x2</b>		
22EPL30/835/LED	81963	ProLED Edge-Lit Flat Panel 2x2 30W 3500K 0-10V Dimmable
22EPL30/840/LED	81964	ProLED Edge-Lit Flat Panel 2x2 30W 4000K 0-10V Dimmable
22EPL30/850/LED	81965	ProLED Edge-Lit Flat Panel 2x2 30W 5000K 0-10V Dimmable
<b>2x2 with Emergency Backup</b>		
22EPL30/835/EM/LED	81969	ProLED Edge-Lit Flat Panel 2x2 30W 3500K 0-10V Dimmable w/Battery Backup
22EPL30/840/EM/LED	81970	ProLED Edge-Lit Flat Panel 2x2 30W 4000K 0-10V Dimmable w/Battery Backup
22EPL30/850/EM/LED	81971	ProLED Edge-Lit Flat Panel 2x2 30W 5000K 0-10V Dimmable w/Battery Backup
<b>2x4</b>		
24EPL50/835/LED	81966	ProLED Edge-Lit Flat Panel 2x4 50W 3500K 0-10V Dimmable
24EPL50/840/LED	81967	ProLED Edge-Lit Flat Panel 2x4 50W 4000K 0-10V Dimmable
24EPL50/850/LED	81968	ProLED Edge-Lit Flat Panel 2x4 50W 5000K 0-10V Dimmable
<b>2x4 with Emergency Backup</b>		
24EPL50/835/EM/LED	81972	ProLED Edge-Lit Flat Panel 2x4 50W 3500K 0-10V Dimmable w/Battery Backup
24EPL50/840/LED/EM	21981	ProLED Edge-Lit Flat Panel 2x4 50W 4000K 0-10V Dimmable w/Battery Backup
24EPL50/850/EM/LED	81974	ProLED Edge-Lit Flat Panel 2x4 50W 5000K 0-10V Dimmable w/Battery Backup

# ProLED® Edgelit Panel Series

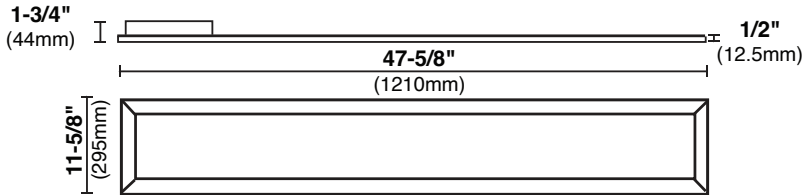
Product #: \_\_\_\_\_ Type: \_\_\_\_\_

Project: \_\_\_\_\_ Date: \_\_\_\_\_

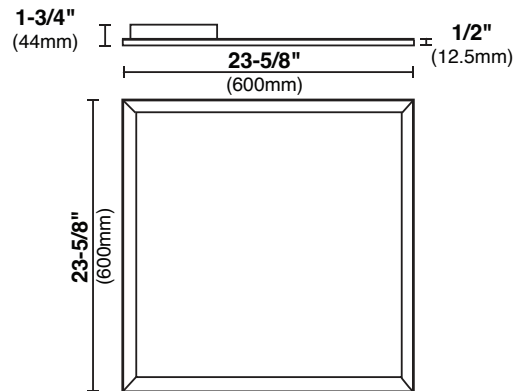
Comments: \_\_\_\_\_ Initials: \_\_\_\_\_

## Dimensions

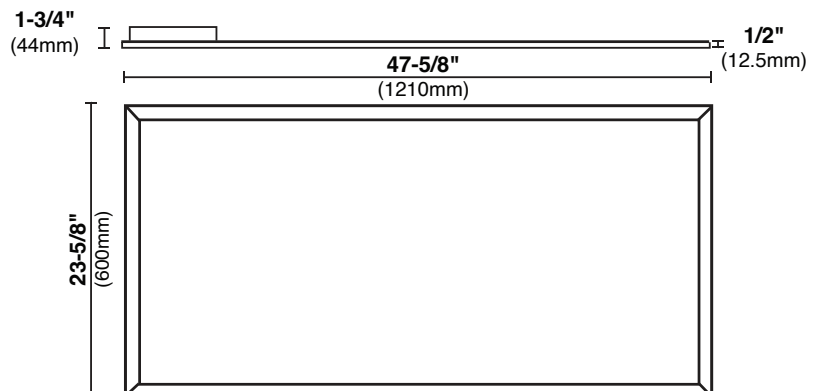
(1' x 4')



(2' x 2')



(2' x 4')



## Specification Table

	1x4	2x2	2x4
<b>Wattage</b>	40W	30W	50W
<b>Lumen Output</b>	4000	3150	5300
<b>Input Voltage</b>	120-277VAC		
<b>Power Factor</b>	>0.9		
<b>L70 Lifetime</b>	50,000 Hours		
<b>CRI</b>	>80		
<b>Dimming</b>	0-10V		
<b>Wet Listings</b>	IP20, ETL Listed for Damp Locations		
<b>CCT</b>	3500K, 4000K, 5000K		
<b>Ambient Operating Temperature</b>	-20°C-40°C		
<b>Weight</b>	9.8lb	9.8lb	18.22lb
<b>Dimensions</b>	11-5/8" x 47-5/8"	23-5/8" x 23-5/8"	23-5/8" x 47-5/8"



## Accessories Table

Product Code	SKU	Description
14EPL/SMK	81985	1 x4 Surface Mount Kit for LED Panels, White (48-1/8" x 12-1/16" x 4-1/2")
22EPL/SMK	81986	2x2 Surface Mount Kit for LED Panels, White (24-1/16" x 24-1/16" x 4-1/2")
24EPL/SMK	81987	2x4 Surface Mount Kit for LED Panels, White (48-1/8" x 24-1/16" x 4-1/2")
VPL/EM/LED3	81981	LED Volumetric Panel Gen III Emergency Battery 16W

\*Useful Life is defined as the point in time at which the lamp will maintain at least 70% of its initial lumens. The lamp will continue to operate past this point at decreased light levels. May not be compatible with all dimming systems, dimming performance may vary by system.  
 Warranty - Commercial / Industrial: This product is warranted for 5 years from the date of purchase.