

Catalog Number: \_\_\_\_\_ Type: \_\_\_\_\_

Project: \_\_\_\_\_

Comments: \_\_\_\_\_ Date: \_\_\_\_\_

# Halco Linear Strip Series



The Halco Linear Strip Luminaires feature a sleek design and are the ideal solution for numerous applications. The LED Strips are the perfect energy saving solution for traditional, fluorescent linear fixtures. Designed to provide optimal light output without the sacrifice of high maintenance and energy costs. Flexible mounting and easy install allow the strips to be used in commercial, industrial, retail, storage, utility, and general task lighting applications.

## Performance

- Replaces pre-existing 4' and 8' fluorescent strip fixtures
- Driver efficiency >85%
- CRI >80
- L70 Lumen Maintenance > 60,000 hours
- 5 year limited warranty
- 0-10V Dimming Standard, dimmable down to 10%
- Universal 120-277VAC
- Motion Sensor and Battery Backup Options Available
- Suitable for use in closets when installed in accordance with NFPA 70, NEC section 410.16 (A)(3) and 410.16 (C)(5)

## Certification

- UL Listed
- R0Hs Compliant
- DLC Premium
- Damp Location

## Construction

- Integral LED gear tray and reflector
- Driver on board
- Diffused lens that requires no additional frame or fastener

## Applications

- Commercial
- Industrial
- Retail
- Storage/Utility
- Shops
- Task Lighting

## Ordering Information

Model Selection							Typical Order Example	LS4/36U40
Family	Size	/	Wattage	Voltage	CCT	/	Options	Cord Set*
LS= Linear Strip Series	4=4 foot 8=8 foot		36=36 Watts 72=72 Watts	U=120-277VAC	40=4000K 50=5000K		(Omit)=None EM=Battery Backup MS=End-Mounted PIR Motion Sensor	(Omit)=None C1= 6' 120V Cord & L5-15P Plug C2=6' 277V Cord & L7-15P Plug

Cord Set Options are assembled to order. Lead times apply. Motion Sensor options are assembled to order. Lead times apply.



# Halco Linear Strip Series

## Product Information Table

Product Code	Product Number	Product Description	Weight
LS4/36U40	10240	LINEAR STRIP 4 FT: 36 WATTS, 120-277V, 4000K	6.72
LS4/36U50	10241	LINEAR STRIP 4 FT: 36 WATTS, 120-277V, 5000K	6.72
LS8/72U40	10243	LINEAR STRIP 8 FT: 72 WATTS, 120-277V, 4000K	11.79
LS8/72U50	10244	LINEAR STRIP 8 FT: 72 WATTS, 120-277V, 5000K	11.79

## Accessory Ordering Table

Item Detail	Product Code	Product Number	Product Description
Connector Bracket	LS-LCK	10309	LINEAR STRIP; LINEAR CONNECTION KIT
Battery Backup	BBU/EM8WU	10310	BATTERY BACKUP; EMERGENCY 8W, 120-277V, LIFEP04 BATTERY, 90 MINUTE BACKUP
Aircraft Cable	ACC/12IN	10311	AIRCRAFT CABLE; 12 INCHES, 1 SET
PIR Motion Sensor	LHB/MC	99986	PIR MOTION SENSOR; BI-LEVEL, END MOUNTED
MICROWAVE MOTION SENSOR	MWMS/MC601V	10313	MICROWAVE MOTION SENSOR; BI-LEVEL, INTEGRATED MOUNT
MOUNTING BRACKET	MWMS/IB/MC601V	10318	MICROWAVE MOTION SENSOR; INSTALLATION BRACKET; MERRYTEK MC601V

## Product Specification Table

Rated Wattage	36	72
Input Voltage	120-277VAC	
Power Factor	> 0.9	
L70 Lifetime*	>60,000	
Efficacy	>130LPW	
Total Harmonic Distortion (THD)	<20%	
CRI	>80, R9 >0	
Dimming	0-10V Continuous Dimming	
CCT	4000K, 5000K	
Warranty	5 Years Standard	
Color Consistency	5-Step MacAdam Ellipse	
Wet	Damp Location, 20-85% RH, non-condensing	
DLC	-20°C to 50°C	
Weight (lbs)	6.72	11.79

## Energy Savings Table

Halco Retrofit	Comparable Fluorescent	LED Advantage
4' 36W	2 x 32W T8	50% Less Watts
8' 72W	2 x 59W T8	38% Less Watts

## Performance Data Table

Product	Rated Wattage	4000K		5000K	
		Delivered Lumens	Efficacy	Delivered Lumens	Efficacy
LS4/36UXX	36	4903	136	4910	136
LS8/72UXX	72	9806	136	9820	136

Quick ship: 4000K and 5000K. Other CCTs may require a lead time or be special order

2 Typical color consistency. May vary or be changed.

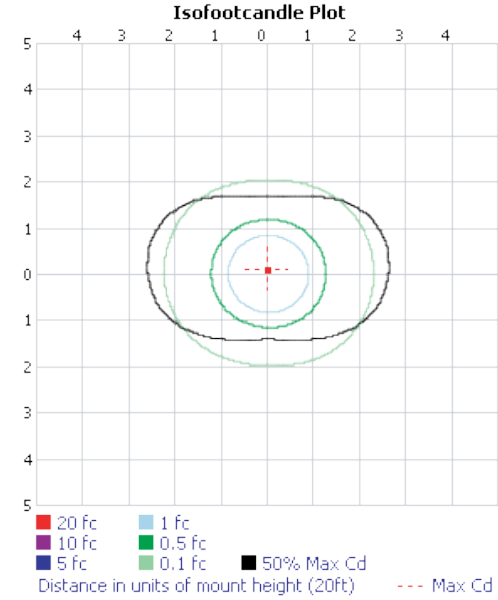
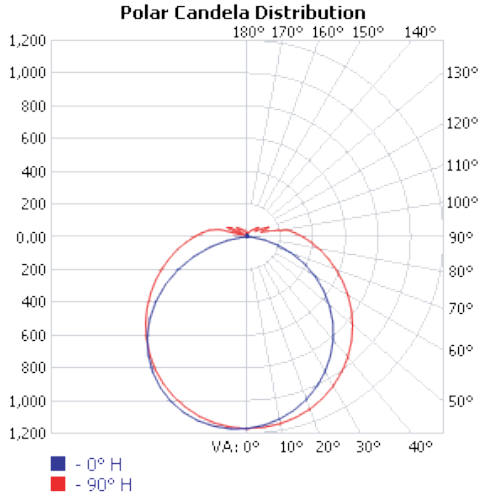
3 L70 hours calculated based on LED package manufacturer LM80 report and ISTMT report of LED in luminaire. Stated values are for select catalog numbers.

Contact manufacturer for detailed information

# Halco Linear Strip Series

## Photometrics

### LS4/36U50

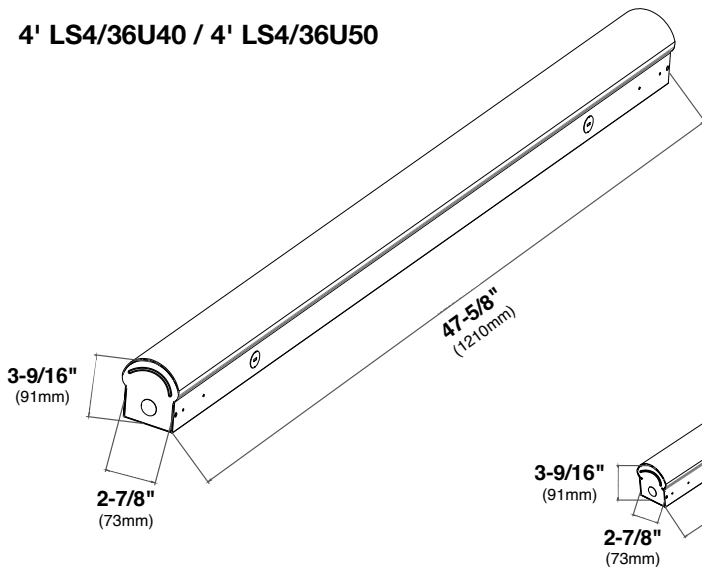


ZONAL LUMEN SUMMARY			
ZONE	LUMENS	% LAMP	% LUMINAIRE
0-30	923.7	20.4%	20.4%
0-40	1,532.7	33.8%	33.8%
0-60	2,816.9	62.1%	62.1%
60-90	1,251.5	27.6%	27.6%
70-100	901.1	19.9%	19.9%
90-120	346.6	7.6%	7.6%
0-90	4,068.4	89.6%	89.6%
90-180	470.4	10.4%	10.4%
0-180	4,538.8	100%	100%

LUMENS PER ZONE					
ZONE	LUMENS	% TOTAL	ZONE	LUMENS	% TOTAL
0-10	110.8	2.4%	90-100	191.4	4.2%
10-20	320.0	7.1%	100-110	91.0	2%
20-30	492.9	10.9%	110-120	64.2	1.4%
30-40	609.0	13.4%	120-130	43.8	1%
40-50	655.1	14.4%	130-140	35.9	0.8%
50-60	629.1	13.9%	140-150	23.0	0.5%
60-70	541.9	11.9%	150-160	13.5	0.3%
70-80	417.9	9.2%	160-170	6.2	0.1%
80-90	291.8	6.4%	170-180	1.4	0%

## Dimensions

### 4' LS4/36U40 / 4' LS4/36U50



### 8' LS8/72U40 / 8' LS8/72U50

