

LED Luminaires

ProLED SekTorArea Light Series

- Lumen Packages Covering 14,000-44,000 Lumens
- Multiple Mounting Options
- Easy Control Solutions
- Superior Optical Performance
- High Efficacy at > 145LPW

Specifications

Description

The SekTor Area Light offers a modern, sleek diecast design which optimizes heat dissipation and thermal flow. The precision TIR optics illuminate the entire optical aperture, creating a visual comfort appearance without sacrificing performance. The SekTor Area Light comes standard with a pre-installed, easy access controls port that readily accepts the quick connect DC motion sensor. With multiple installer friendly mounting options and hundreds of possible configurations, the SekTor Area Light is a great solution for almost any site lighting application.

Performance

- 100, 150, 200, 240 & 300W Wattage Options
- 4000k & 5000K Color Temperatures
- >145 LPW
- L70 Lumen Maintenance > 100,000 Hours
- 5 Year Limited Warranty
- 0-10V Dimming
- 120-277V

Construction

- Compact Lightweight Design with Low EPA Rating
- Two Piece Diecast Aluminum Housing with Integral Heat Sink
- High Efficiency Polycarbonate Total Internal Reflection (TIR) Optics
- Hinged Driver Compartment for Ease of Access
- Corrosion Resistant Diecast Aluminum Housing with Powder Coat Finish



Applications

- General Outdoor Area & Site Lighting
- Auto Dealerships
- Parking Lot
- Roadway
- Security Lighting
- Campuses

Certifications

- cULus
- FCC
- UL Wet Location
- IP65
- DLC Premium

Controls

- 0-10 VDC Dimming Standard
- Plug & Play DC Motion Sensor
- 7PR & Photocell

ProLED SekTor Area Light Series

Product Description

Ordering Logic EX: SAL-200-T3-40-U-7PR

Series	Wattage	Distribution	CCT	Voltage	Options
SAL = SekTor Area Light	100 = 100 Watts 150 = 150 Watts 200 = 200 Watts 240 = 240 Watts 300 = 300 Watts	T2 = Type II* T3 = Type III T4 = Type IV* T5 = Type V	40 = 4000K 50 = 5000K	U = 120 277 VAC H = 347-480 VAC*	7PR = 7 Pin Receptacle w/Photocell* SPD = 10kVA Surge Suppression*

* For Options and Non-Stock Items - Lead Times Apply

** Mounting Ordered Separately

Ordering Information

	Product SKU	Product Code	Product Description
Stock Fixtures	24850	SAL-100-T3-40-U	SekTor Area, 100W, Type 3, 4000K, 120-277 UNV Voltage
	24851	SAL-100-T5-40-U	SekTor Area, 100W, Type 5, 4000K, 120-277 UNV Voltage
	24852	SAL-100-T3-50-U	SekTor Area, 100W, Type 3, 5000K, 120-277 UNV Voltage
	24853	SAL-100-T5-50-U	SekTor Area, 100W, Type 5, 5000K, 120-277 UNV Voltage
	24854	SAL-150-T3-40-U	SekTor Area, 150W, Type 3, 4000K, 120-277 UNV Voltage
	24855	SAL-150-T5-40-U	SekTor Area, 150W, Type 5, 4000K, 120-277 UNV Voltage
	24856	SAL-150-T3-50-U	SekTor Area, 150W, Type 3, 5000K, 120-277 UNV Voltage
	24857	SAL-150-T5-50-U	SekTor Area, 150W, Type 5, 5000K, 120-277 UNV Voltage
	24858	SAL-200-T3-40-U	SekTor Area, 200W, Type 3, 4000K, 120-277 UNV Voltage
	24859	SAL-200-T5-40-U	SekTor Area, 200W, Type 5, 4000K, 120-277 UNV Voltage
	24860	SAL-200-T3-50-U	SekTor Area, 200W, Type 3, 5000K, 120-277 UNV Voltage
	24861	SAL-200-T5-50-U	SekTor Area, 200W, Type 5, 5000K, 120-277 UNV Voltage
	24862	SAL-240-T3-40-U	SekTor Area, 240W, Type 3, 4000K, 120-277 UNV Voltage
	24863	SAL-240-T5-40-U	SekTor Area, 240W, Type 5, 4000K, 120-277 UNV Voltage
	24864	SAL-240-T3-50-U	SekTor Area, 240W, Type 3, 5000K, 120-277 UNV Voltage
	24865	SAL-240-T5-50-U	SekTor Area, 240W, Type 5, 5000K, 120-277 UNV Voltage
	24866	SAL-300-T3-40-U	SekTor Area, 300W, Type 3, 4000K, 120-277 UNV Voltage
	24867	SAL-300-T5-40-U	SekTor Area, 300W, Type 5, 4000K, 120-277 UNV Voltage
	24868	SAL-300-T3-50-U	SekTor Area, 300W, Type 3, 5000K, 120-277 UNV Voltage
24869	SAL-300-T5-50-U	SekTor Area, 300W, Type 5, 5000K, 120-277 UNV Voltage	
Mounting Arms			
	24870	SEK-SF	SekTor Slipfit Knuckle Mount
	24871	SEK-QM	SekTor Straight Arm Quick Mount
	24872	SEK-TR	SekTor Trunnion Mount
	24908	SEK-PM	SekTor Adjustable Pole Mount
Accessories			
	24875	DCMS	DC Motion Bi-Level Motion Sensor
	24876	DCMS-REM	DC Motion Bi-Level Motion Sensor Remote
	24878	SAL-BLS-SM	SekTor Backlight Shield (100W-150W)
	24879	SAL-BLS-L	SekTor Backlight Shield (200W-300W)
	24880	SAL-SS-SM	SekTor Side Shield (100W-150W)
	24881	SAL-SS-L	SekTor Side Shield (200W-300W)
	10231	PC/JL205C	Photocell Twist Lock 120 - 277VAC JL 205C
	20260	PC/TW480V	Photocell Twist Lock 480V

ProLED Sector Area Light Series

Product Selector Table

Wattage	Color	Distribution	Base Part #	With Photo Cell & Shorting Cap	With 480V	480V with Photo Cell & Shorting Cap
100W	4K	III	24850	100080	100120	100160
		V	24851	100100	100140	100180
		II	100050	100070	100110	100150
		IV	100060	100090	100130	100170
	5K	III	24852	100081	100121	100161
		V	24853	100101	100141	100181
		II	100051	100071	100111	100151
		IV	100061	100091	100131	100171
150W	4K	III	24854	100082	100122	100162
		V	24855	100102	100142	100182
		II	100052	100072	100112	100152
		IV	100062	100092	100132	100172
	5K	III	24856	100083	100123	100163
		V	24857	100103	100143	100183
		II	100053	100073	100113	100153
		IV	100063	100093	100133	100173
200W	4K	III	24858	100084	100124	100164
		V	24859	100104	100144	100184
		II	100054	100074	100114	100154
		IV	100064	100094	100134	100174
	5K	III	24860	100085	100125	100165
		V	24861	100105	100145	100185
		II	100055	100075	100115	100155
		IV	100065	100095	100135	100175
240W	4K	III	24862	100086	100126	100166
		V	24863	100106	100146	100186
		II	100056	100076	100116	100156
		IV	100066	100096	100136	100176
	5K	III	24864	100087	100127	100167
		V	24865	100107	100147	100187
		II	100057	100077	100117	100157
		IV	100067	100097	100137	100177
300W	4K	III	24866	100088	100128	100168
		V	24867	100108	100148	100188
		II	100058	100078	100118	100158
		IV	100068	100098	100138	100178
	5K	III	24868	100089	100129	100169
		V	24869	100109	100149	100189
		II	100059	100079	100119	100159
		IV	100069	100099	100139	100179

ProLED Sector Area Light Series

Performance Table

Nominal Wattage	Distribution	4000K			5000K		
		Lumen Output (lm)	Efficacy (lm/W)	Bug Rating	Lumen Output (lm)	Efficacy (lm/W)	Bug Rating
100	Type II	14644	146	B2 U0 G2	14725	148	B2 U0 G2
	Type III	14662	146	B2 U0 G3	14740	147	B2 U0 G3
	Type IV	14837	147	B2 U0 G2	14851	148	B2 U0 G2
	Type V	14556	146	B4 U0 G4	14788	148	B4 U0 G4
150	Type II	21641	145	B3 U0 G3	21793	147	B3 U0 G3
	Type III	21797	145	B3 U0 G3	21900	146	B3 U0 G3
	Type IV	21834	145	B3 U0 G3	21935	147	B3 U0 G3
	Type V	21900	146	B4 U0 G5	21898	146	B4 U0 G5
200	Type II	29243	146	B3 U0 G3	29237	147	B3 U0 G3
	Type III	29786	149	B3 U0 G4	29886	150	B3 U0 G4
	Type IV	29112	145	B3 U0 G3	29231	146	B3 U0 G4
	Type V	29164	146	B5 U0 G5	29319	146	B5 U0 G5
240	Type II	34601	145	B3 U0 G3	34828	146	B3 U0 G3
	Type III	34807	146	B3 U0 G4	34936	146	B3 U0 G4
	Type IV	34766	146	B3 U0 G4	34829	147	B3 U0 G4
	Type V	34845	146	B5 U0 G5	35076	147	B5 U0 G5
300	Type II	43788	146	B4 U0 G4	43884	147	B4 U0 G4
	Type III	43734	146	B3 U0 G5	43849	146	B3 U0 G5
	Type IV	43760	146	B4 U0 G5	43766	147	B4 U0 G5
	Type V	43774	146	B5 U0 G5	43860	147	B5 U0 G5

Specifications Table

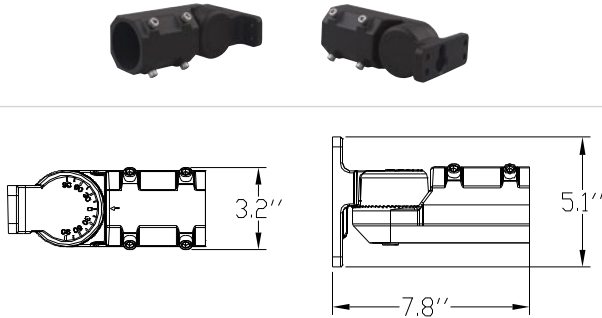
	SAL-100	SAL-150	SAL-200	SAL-240	SAL-300
Nominal Wattage	100	150	200	240	300
Nominal Lumens	14,556 - 14,851	21,641 - 21,935	29,112 - 29,886	34,601 - 35,076	43,734 - 43,884
CCT	4000K & 5000K	4000K & 5000K	4000K & 5000K	4000K & 5000K	4000K & 5000K
Efficacy (lm/W)	145 LPW				
Amperage	120VAC(.83A) 277VAC(.36A)	120VAC(1.25A) 277VAC(.54A)	120VAC(1.67A) 277VAC(.72A)	120VAC(2.0A) 277VAC(.87A)	120VAC(2.5A) 277VAC(1.08A)
Distribution	Type II, III, IV & V				
CRI	>70 CRI				
L70 Lifetime (hrs)	>100,000 Hrs				
Voltage	Universal 120-277VAC & High Voltage 347-480VAC				
Power Factor	>.90				
Dimming	0-10VDC Dimming				
Housing	Die-Cast Aluminum Housing				
Lens	PC TIR (Total Internal Reflection) Optics				
Operating Temperature	-40°C to 45°C				
Listings	cULus, DLC Premium, FCC				
Environment	IP65 Rated, 3G Rated				
Weight (lbs)	14.74 lbs	14.92 lbs	20.9 lbs	21.12 lbs	23.1 lbs
Warranty	5 Years Standard				

LED Luminaires

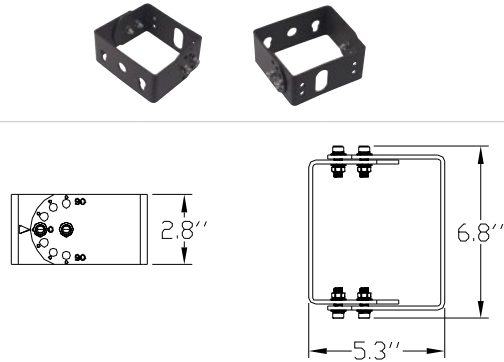
ProLED SekTor Area Light Series

Mounting Bracket Options

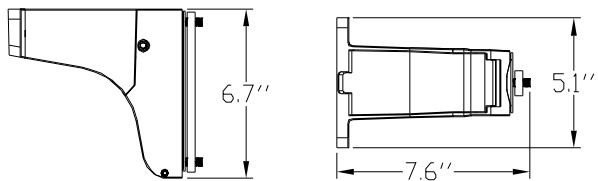
Slip Fitter Mount <i>Fits 2 3/8" Tennon</i>		
Product SKU	Product Code	Description
24870	SEK-SF	SekTor Slipfit Knuckle Mount



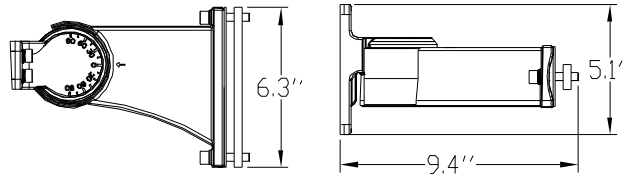
Trunnion Mount		
Product SKU	Product Code	Description
24872	SEK-TR	SekTor Trunnion Mount



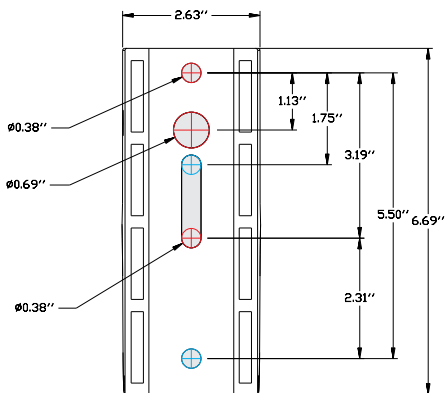
Quick Mount Arm <i>Fits Square and Round Poles</i>		
Product SKU	Product Code	Description
24871	SEK-QM	SekTor Straight Arm Quick Mount



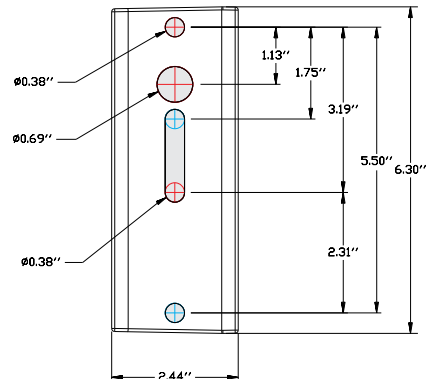
Adjustable Pole Mount <i>Fits Square and Round Poles</i>		
Product SKU	Product Code	Description
24908	SEK-PM	SekTor Adjustable Pole Mount



SEK-QM Drill Patterns



SEK-PM Drill Patterns

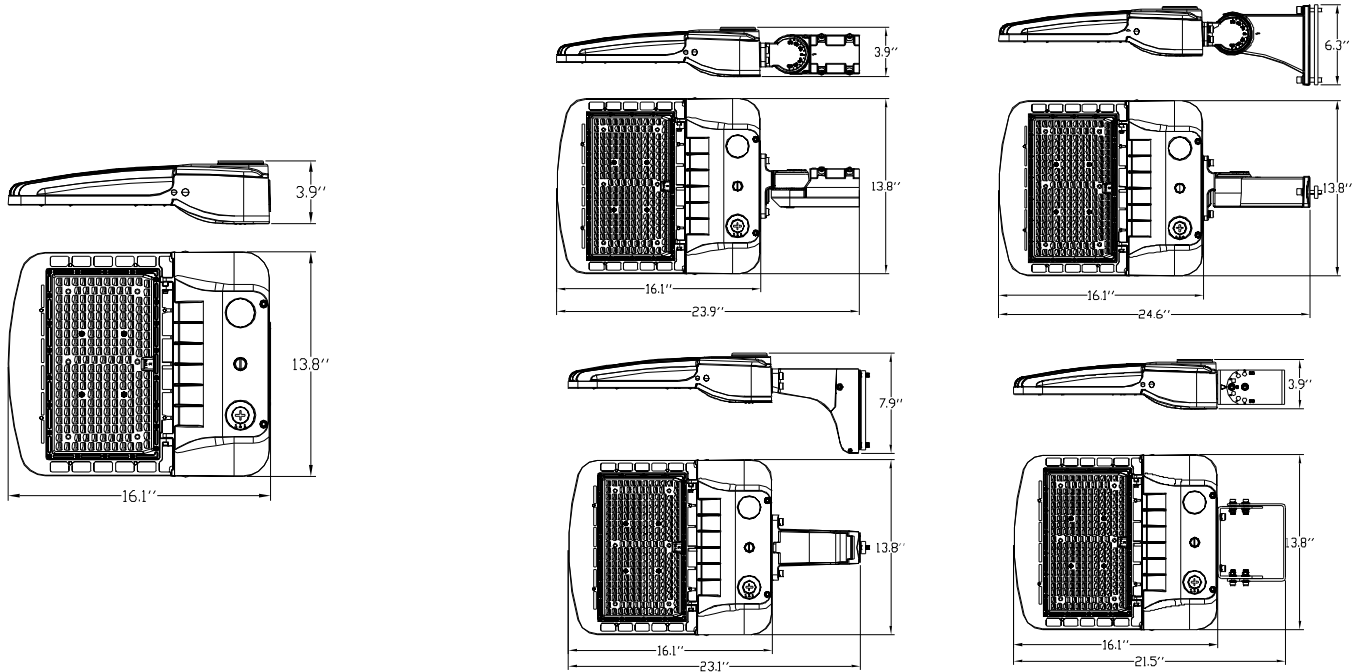


LED Luminaires

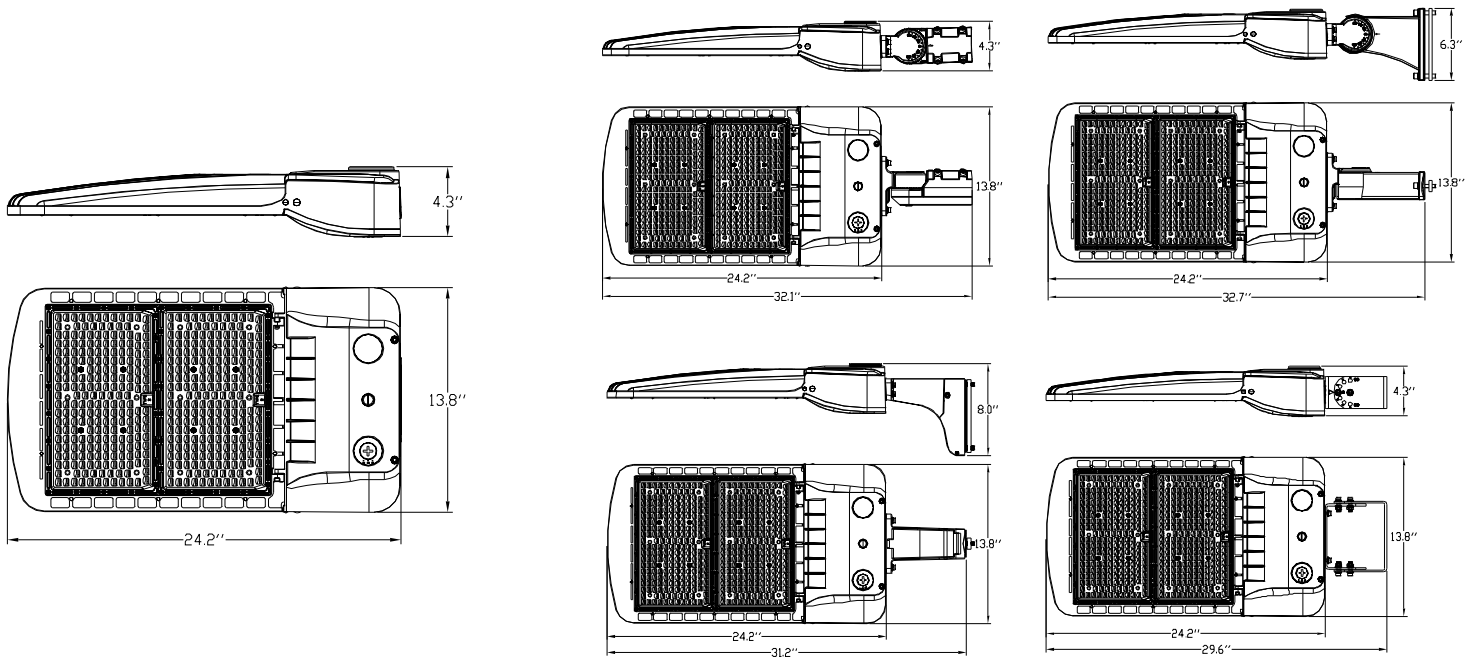
ProLED Sektor Area Light Series

Housing Dimensions with Mounting Arms

100W & 150W Housing




200W, 240W & 300W Housing





LED Luminaires

ProLED SekTor Area Light Series

Accessories

DC Occupancy Sensor		
Product SKU	Product Code	Description
24875	DCMS	DC Bi-Level Motion Sensor
		





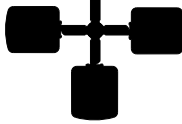
DC Occupancy Sensor Remote Control		
Product SKU	Product Code	Description
24876	DCMS-REM	DC Bi-Level Motion Sensor
		

Backlight Shield		
Product SKU	Product Code	Description
24878	SAL-BLS-SM	SekTor Backlight Shield (100W-150W)
24879	SAL-BLS-L	SekTor Backlight Shield (200W-300W)
		




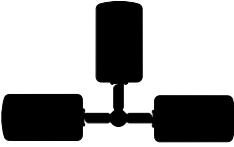
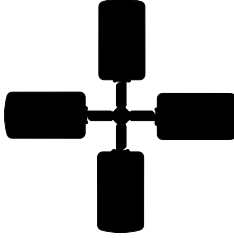
Side Shield		
Product SKU	Product Code	Description
24880	SAL-SS-SM	SekTor Side Shield (100W-150W)
24881	SAL-SS-L	SekTor Side Shield (200W-300W)
		

EPA

100W & 150W Housing

				
S Single EPA: 0.52 Weight: 10.8 lbs.	D90 Double 90° EPA: 0.81 Weight: 21.6 lbs.	D180 Double 180° EPA: 1.04	T90 Triple 90° EPA: 1.23 Weight: 32.4 lbs.	Q90 Quad 90° EPA: 1.23 Weight: 43.2 lbs.

200W, 240W & 300W Housing

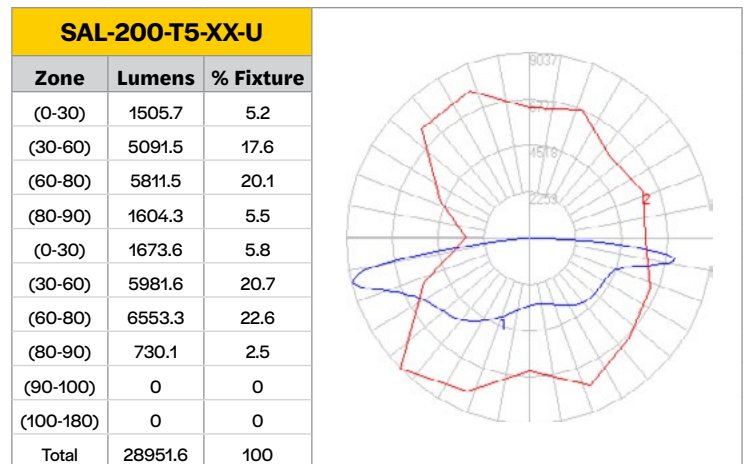
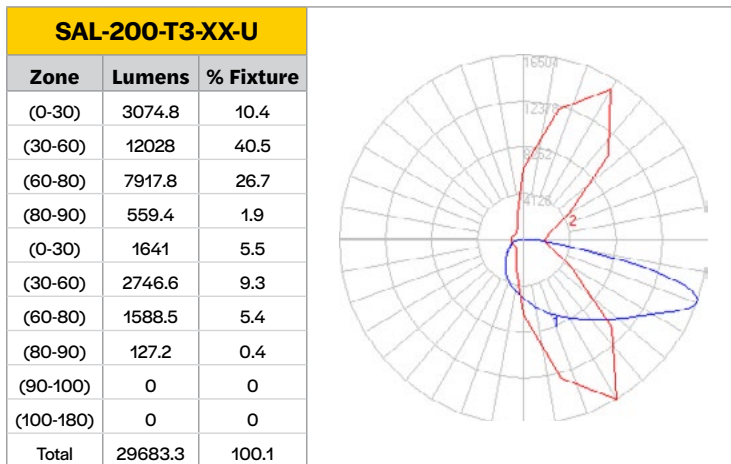
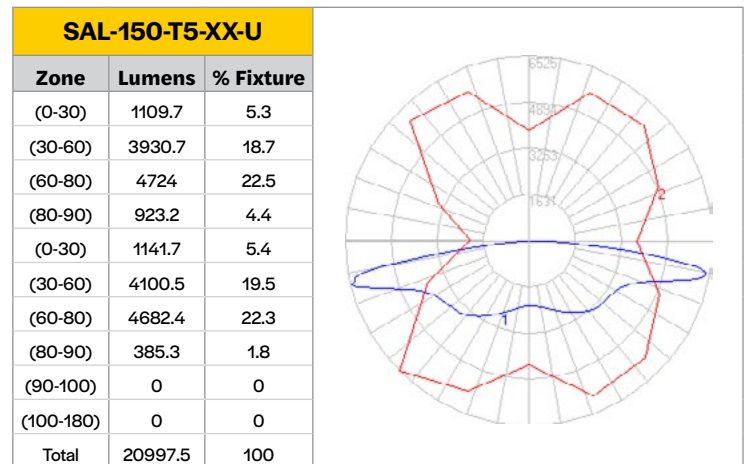
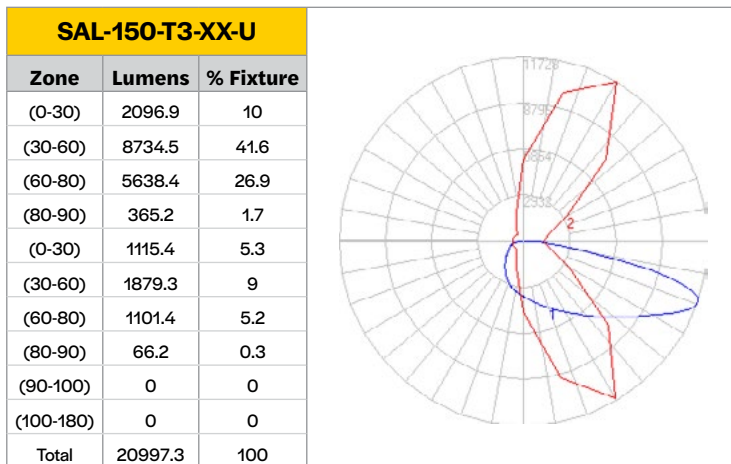
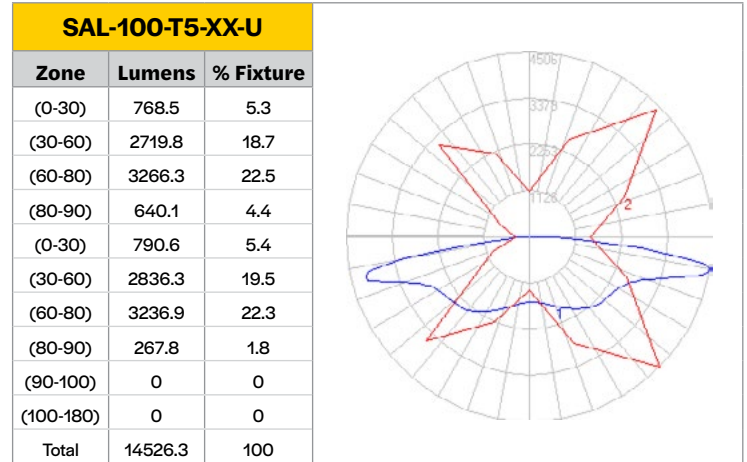
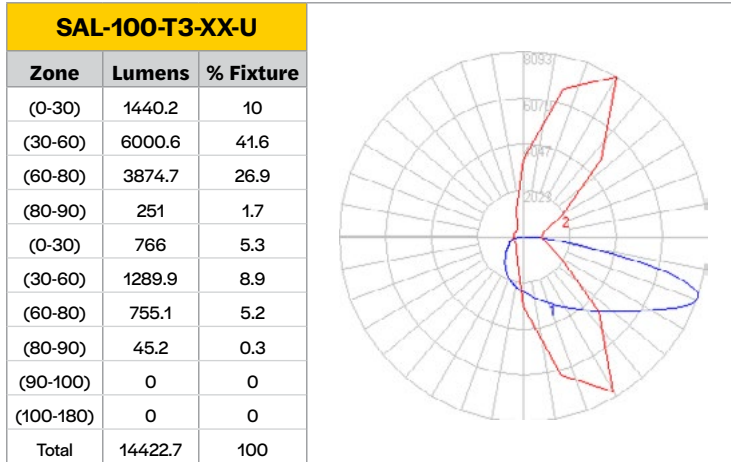
				
S Single EPA: 0.72 Weight: 20.2 lbs.	D90 Double 90° EPA: 1.07 Weight: 40.4 lbs.	D180 Double 180° EPA: 1.44 Weight: 40.4 lbs.	T90 Triple 90° EPA: 1.69 Weight: 60.6 lbs.	Q90 Quad 90° EPA: 1.69 Weight: 80.8 lbs.

LED Luminaires

ProLED Sector Area Light Series

Photometry

*The below diagrams and zonal lumen summaries represent the stock Type 3 and Type 5 fixtures. For complete photometry/IES files, please visit the resources tab on the product page.



LED Luminaires

ProLED Sector Area Light Series

Photometry

*The below diagrams and zonal lumen summaries represent the stock Type 3 and Type 5 fixtures. For complete photometry/IES files, please visit the resources tab on the product page.

