



# KT-BPLED-JBOX-1

## JUNCTION BOX

### DESCRIPTION

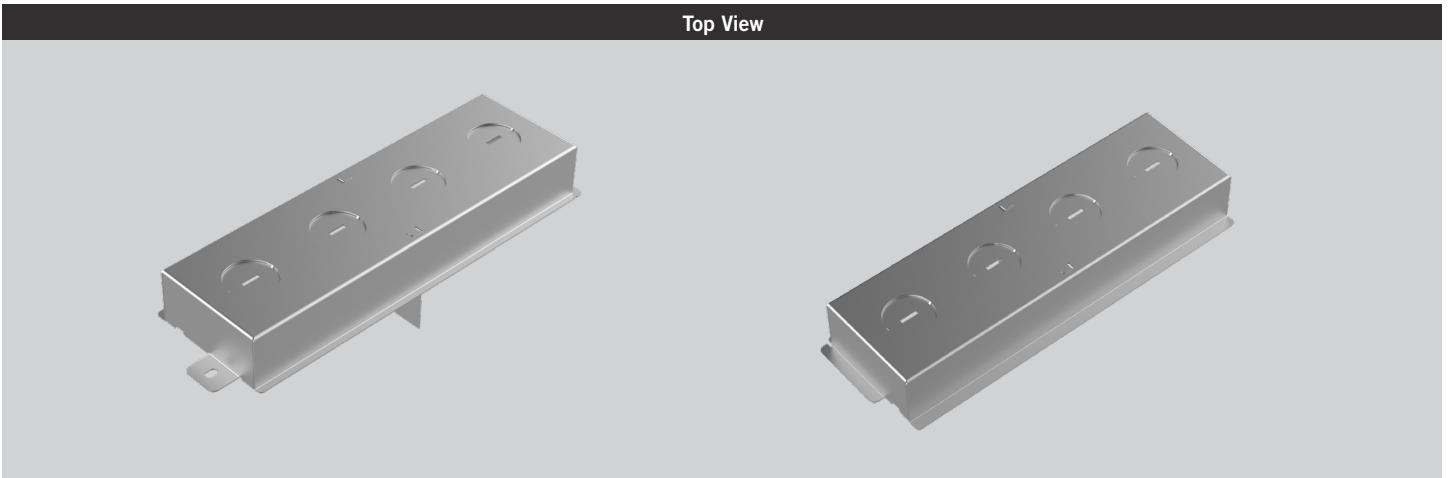
Junction box optimized for Standard and Color/Power Select back-lit panels.

### PRODUCT FEATURES

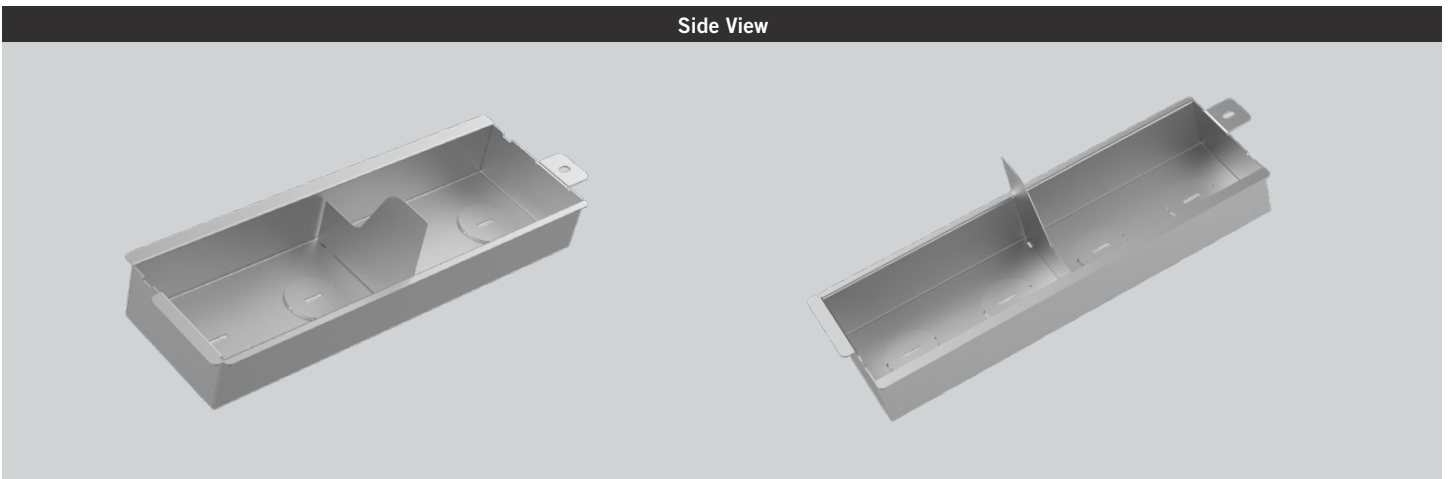
Mounting hardware included.



Top View

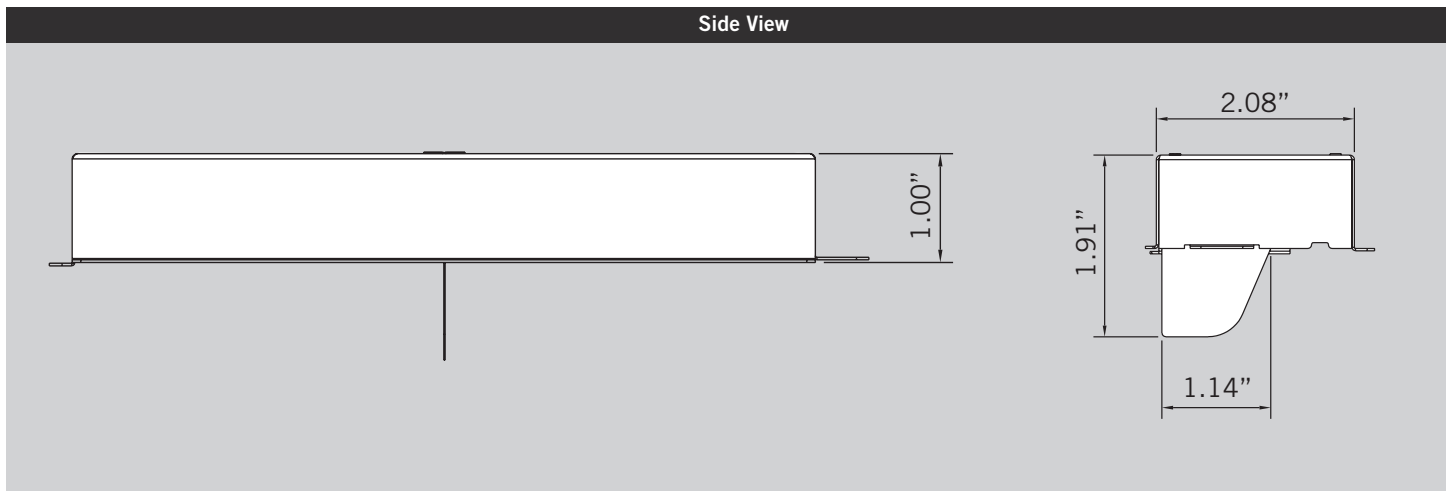
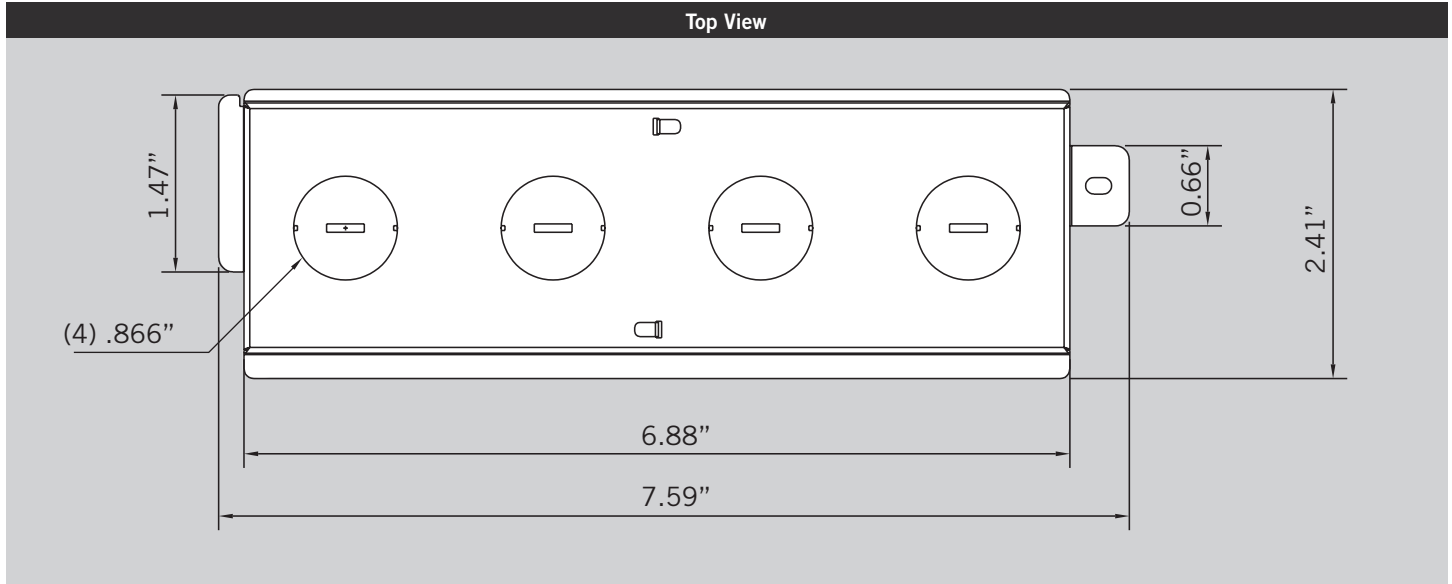


Side View



**KT-BPLED-JBOX-1**  
JUNCTION BOX

**PHYSICAL SPECIFICATIONS**



**ORDERING INFORMATION**

CATALOG NUMBER	CARTON QTY.	EASY CODE	UPC
KT-BPLED-JBOX-1	20	MYW-25	843654128092