



KT-EMRG-LED-12-1200-EN

CONSTANT WATTAGE LED EMERGENCY BACK-UP



DESCRIPTION

LED Emergency Back-Up Driver | Standard Side Exit Wire Leads | 12W Output

DRIVER TYPE: Constant Wattage LED Emergency
MAX. OUTPUT POWER: 12W
INPUT VOLTAGE: 120–277Vac ±10%
OUTPUT VOLTAGE: 20–54Vdc
OUTPUT CURRENT: 550–245mA
WARRANTY: 5 Years



PRODUCT FEATURES

- Drives LED loads at 12W (nominal) for a minimum of 90 minutes
- Meets FCC Part 15 (Class B) consumer limits
- Short circuit overload and open load protection
- Suitable for dry and damp locations
- Evaluated to UL 924 standards
- Operating temperature: 0°C/32°F to 50°C/122°F
- Input frequency: 50/60 Hz
- Test switch/Charging indicator light
- Battery pack with quick connect: NiCd
- Battery capacity: 3000mAh
- Listed for field or factory installation: UL 924 and CSA C22.2 no. 141 emergency lighting compliant
- 3A max. pass-through current

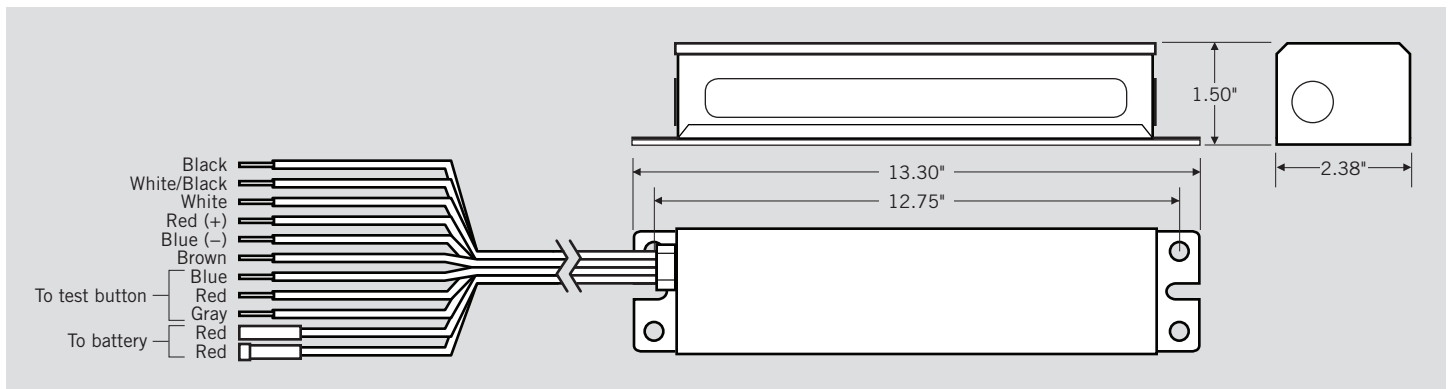
Emergency Pack does not meet CEC T20 requirements. Not to be sold or offered for sale in California, except when sold wholesale in California for final retail sale outside the state.

ELECTRICAL SPECIFICATIONS

Family	INPUT CHARACTERISTICS			OUTPUT CHARACTERISTICS		
	Input Voltage	Power Factor	Max. Current	Max. Output Power	Rated Output Current	Output Voltage
12W	120–277Vac	≥0.5	0.051A @ 120V	12W	550mA–245mA	20–54Vdc

Emergency pack designed to deliver 12W to a constant current LED load. Approximate output is 1200 lumens, assuming a nominal minimum efficacy of 100 lm/W.

PHYSICAL SPECIFICATIONS

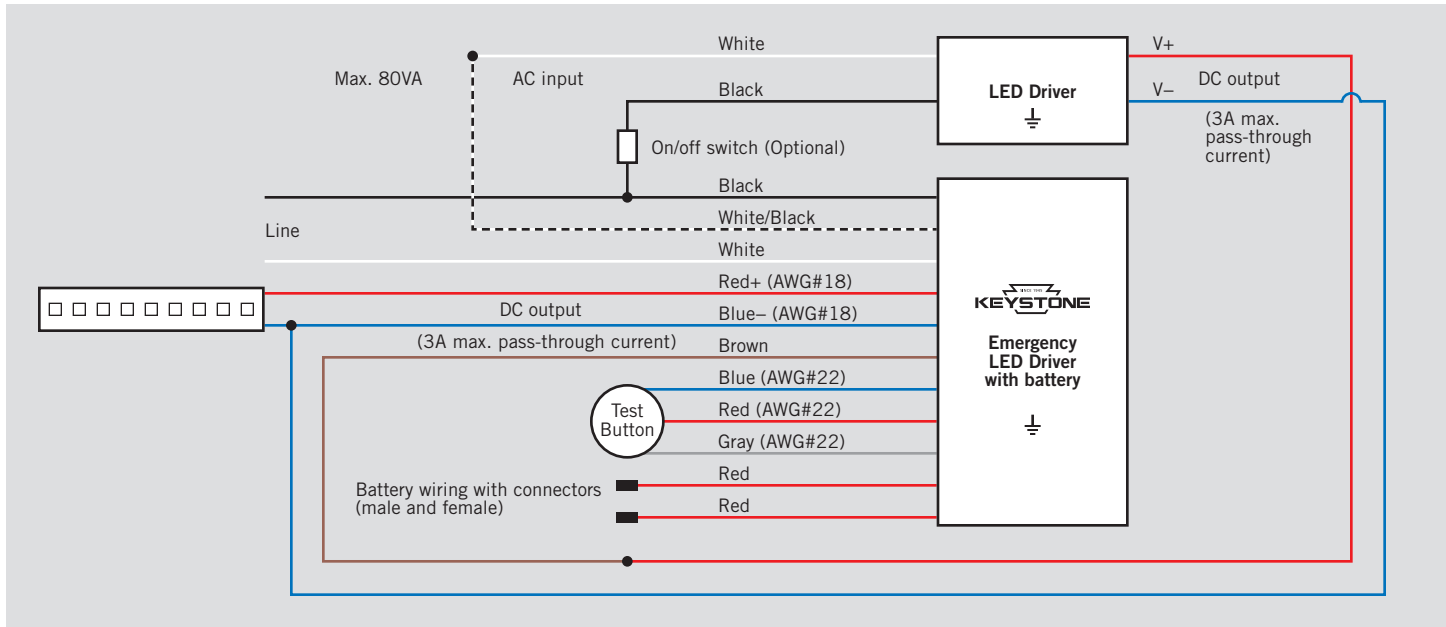




KT-EMRG-LED-12-1200-EN

CONSTANT WATTAGE LED EMERGENCY BACK-UP

WIRING SPECIFICATIONS



ORDERING INFORMATION

ORDER CODE	DESCRIPTION	PACKAGING STYLE	PACK QUANTITY	ITEM STATUS
KT-EMRG-LED-12-1200-EN-IP	1-Piece LED Emergency Back-up with Standard Side Exit Leads	Individually Packaged	1	Active

CATALOG NUMBER BREAKDOWN

KT-EMRG-LED-12-1200-EN-IP

- 1
- 2
- 3
- 4
- 5
- 6
- 7

- 1 Keystone Technologies
- 2 Emergency Back-up Driver
- 3 LED Driver
- 4 Wattage Family
- 5 Nominal Lumen Output
- 6 1-Piece Enclosure
- 7 Packaging Style