



KT-EMRG-LED-12C-1200-EN

CONSTANT WATTAGE LED EMERGENCY BACK-UP

DESCRIPTION

LED Emergency Back-Up Driver | Standard Side Exit Wire Leads | 12W Output



DRIVER TYPE: Constant Wattage LED Emergency
MAX. OUTPUT POWER: 12W
INPUT VOLTAGE: 120~277Vac $\pm 10\%$
OUTPUT VOLTAGE: 20~54Vdc
OUTPUT CURRENT: 600~250mA
SAFETY STANDARD: UL 924, Complies with CEC Title 20 Efficiency Standards
WARRANTY: 5 Years



ELECTRICAL SPECIFICATIONS

Input voltage range	120~277Vac $\pm 10\%$
Frequency	50/60Hz
Power factor	>0.9 under 120~277Vac input
Inrush current	20A @ 120V
Max input current	50mA @120V, 35mA @240V, and 30mA @277V
THD	<20% under 120~277Vac input
Output voltage	20~60Vdc Class 2 compliant
Output current	600mA @ 20Vdc, 206mA @ 58Vdc
Output power	12W (constant)
Turn-on Delay Time	< 1s
Overshoot	< 10%
Ripple & Noise (pk-pk)	< 10%
Withstand voltage	Input to output, 2800Vdc, 2mA
Leakage current	Maximum 0.5mA at 277Vac, 60Hz input
Protection	<p>Over voltage protection: Hiccup mode. Protection will trigger when load voltage exceeds specified output voltage and will auto recover after the fault mode is removed.</p> <p>Over current protection: Hiccup mode. Protection will trigger when load current exceeds specified output current and will auto recover after the fault mode is removed.</p> <p>Short circuit protection: Hiccup mode. Protection will trigger when short circuit and will auto recover after the fault mode is removed.</p>
Emergency Operation	90 minutes
Battery	High-temperature, maintenance-free, LiFePO ₄ battery, 9.6Vdc, 3 cell
Recharge Time	24 hours
Battery Charging Current	307mA

ENVIRONMENTAL SPECIFICATIONS

Operating temperature	0°C/32°F to 55°C/131°F
Storage temperature	-20°C/-4°F to 55°C/131°F
Humidity	5% to 95%
MTBF	TBD
Life rating	TBD
Maximum ambient temperature	55°C/131°F for battery

SAFETY AND EMC COMPLIANCE

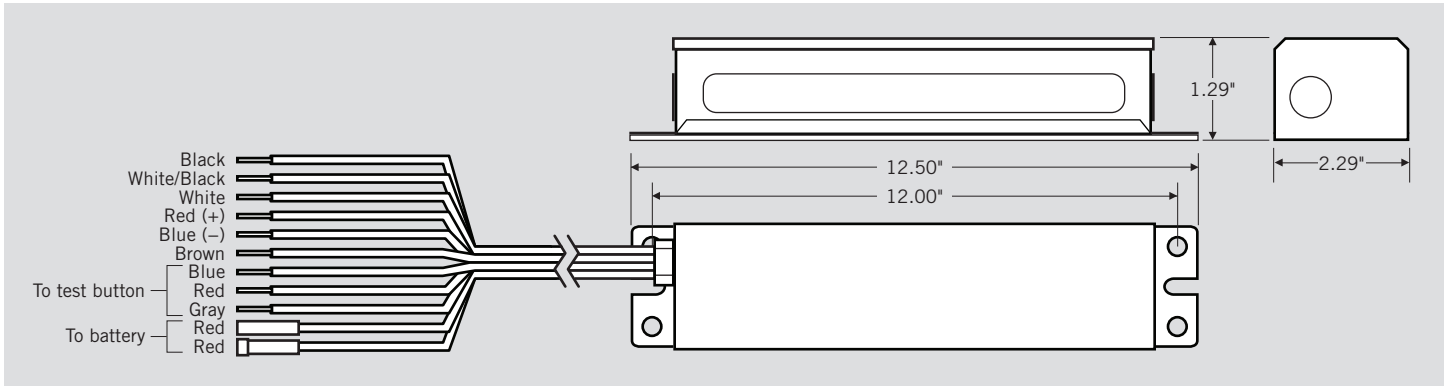
UL/cUL	UL 924
FCC, 47CFR Part 15	ANSI C63.4:2009 Class B (consumer limit)
EN61000-3-2	Harmonic current emissions Class C



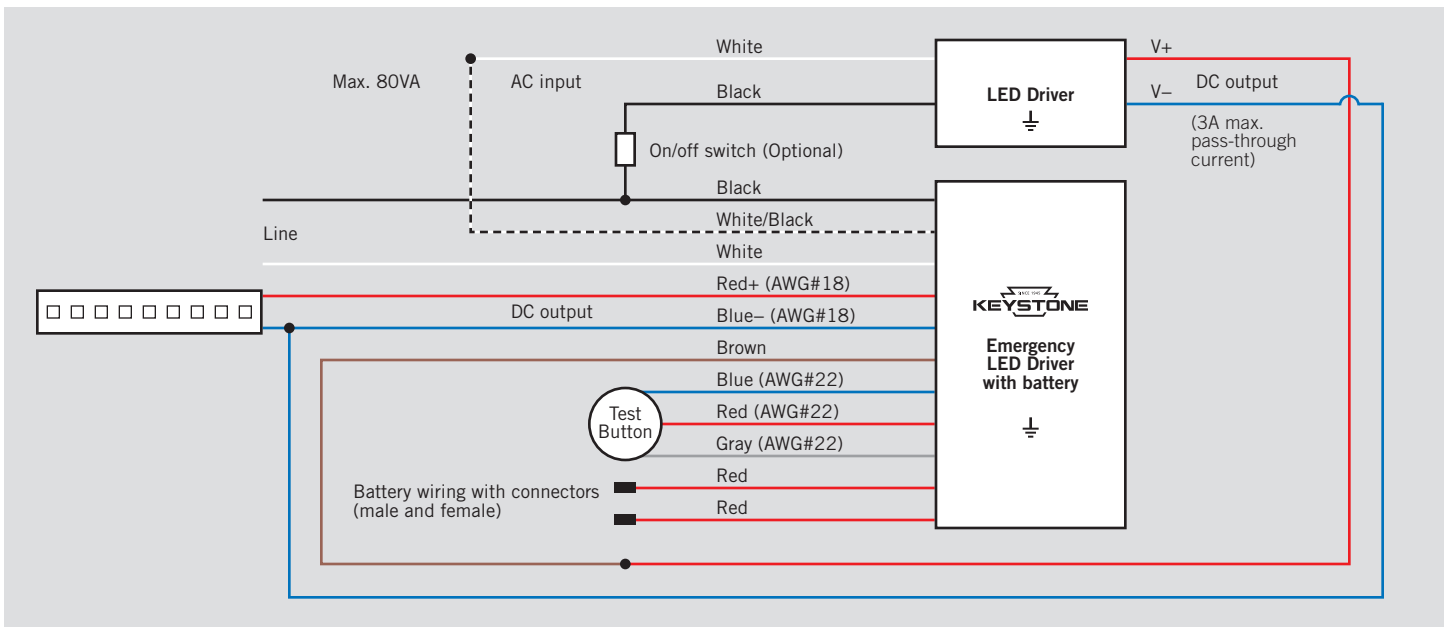
KT-EMRG-LED-12C-1200-EN

CONSTANT WATTAGE LED EMERGENCY BACK-UP

PHYSICAL SPECIFICATIONS



WIRING SPECIFICATIONS





KT-EMRG-LED-12C-1200-EN

CONSTANT WATTAGE LED EMERGENCY BACK-UP

ORDERING INFORMATION

ORDER CODE	DESCRIPTION	PACKAGING STYLE	PACK QUANTITY	ITEM STATUS
KT-EMRG-LED-12C-1200-EN-IP	1-Piece LED Emergency Back-up with Standard Side Exit Leads	Individually Packaged	1	Active

CATALOG NUMBER BREAKDOWN

KT-EMRG-LED-12C-1200-EN-IP

1

2

3

4

5

6

7

- 1 Keystone Technologies
- 2 Emergency Back-up Driver
- 3 LED Driver
- 4 Wattage Family (CEC Compliant)
- 5 Nominal Lumen Output
- 6 1-Piece Enclosure
- 7 Packaging Style