

# FL-LED-R1A-15-8CSB-KY

## COMPACT 15W GENERAL-PURPOSE LED FLOOD LIGHT



Compact 15W, 120-277V Input

### PRODUCT FEATURES

- Uniform, wide flood design (NEMA 7h × 7w distribution pattern)
- Heavy-duty, die cast aluminum housing featuring built-in glare visor and tempered glass lens
- Powered by 0–10V dimming LED drivers
- Adjustable CCT (3000K, 4000K, or 5000K)
- Built-in dusk-to-dawn photocell behind translucent 3/4" threaded plug with anti-yellowing agent
- Heavy-duty 1/2" knuckle mount with 90° adjustment and yoke mount options included
- Ambient operating temperature: –30°C/–22°F to 45°C/113°F
- UL listed for wet locations, IP65
- 0–10V dimming, 10% min
- Power Factor: >0.95
- THD: <20%
- LED chip lifetime: L70 >100,000 hrs @ 25°C/77°F ambient fixture temp
- Meets FCC Part 15, Part B, Class A standards for conducted and radiated emissions
- 18" input cable, pre-stripped
- Fixture impact rating IK06



### ELECTRICAL SPECIFICATIONS

Catalog Number	Wattage	Lumens	Dimming	CCT*	Efficacy	CRI	Housing Color	Mounting	Input Voltage	Rated Life	Legacy Equivalent
FL-LED-R1A-15-8CSB-KY	15W	1920 lm	0–10V	3000K	128 lm/W	>80	Bronze	Universal: 1/2" Knuckle or yoke	120–277V	50,000 hrs	70W MH
		2175 lm		4000K	145 lm/W						
		2100 lm		5000K	140 lm/W						

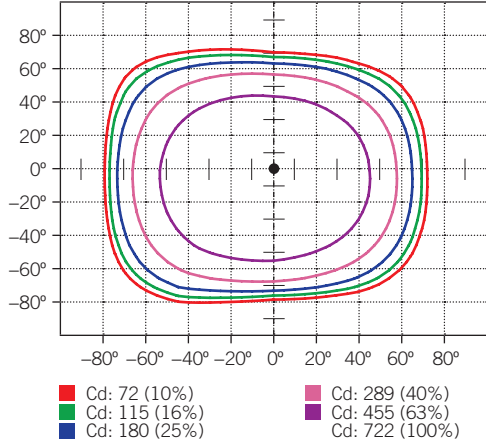
\* Color Uniformity: CCT (Correlated Color Temperature) range as per guidelines outlined in ANSI C78.377-2017

# FL-LED-R1A-15-8CSB-KY

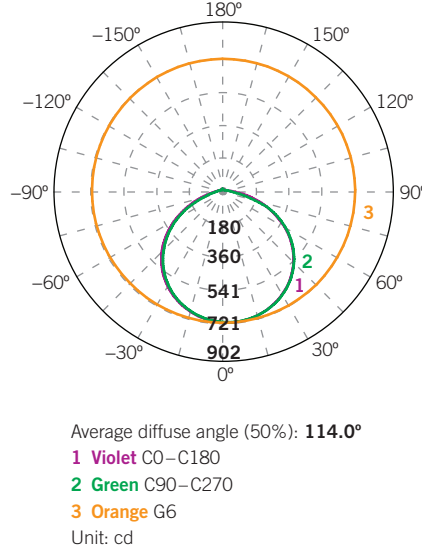
## COMPACT 15W GENERAL-PURPOSE LED FLOOD LIGHT

### PHOTOMETRIC SPECIFICATIONS

#### ISOCANDELA PLOT



#### LUMINOUS INTENSITY DISTRIBUTION



#### FLUX DISTRIBUTION

Zone	Lumens	% Luminaire
<b>Forward Light</b>	1,093 lm	53.7%
0°-30°	287 lm	14.1%
30°-60°	585 lm	28.7%
60°-80°	214 lm	10.5%
80°-90°	7 lm	0.4%
<b>Back Light</b>	925 lm	45.5%
0°-30°	277 lm	13.6%
30°-60°	513 lm	25.2%
60°-80°	134 lm	6.6%
80°-90°	2 lm	0.1%
<b>Up Light</b>	16 lm	0.8%
90°-100°	1 lm	0.0%
100°-180°	15 lm	0.7%

#### BUG\* Rating

##### Asymmetrical Luminaire Types

Type I, II, III, IV	B1 U2 G1
---------------------	----------

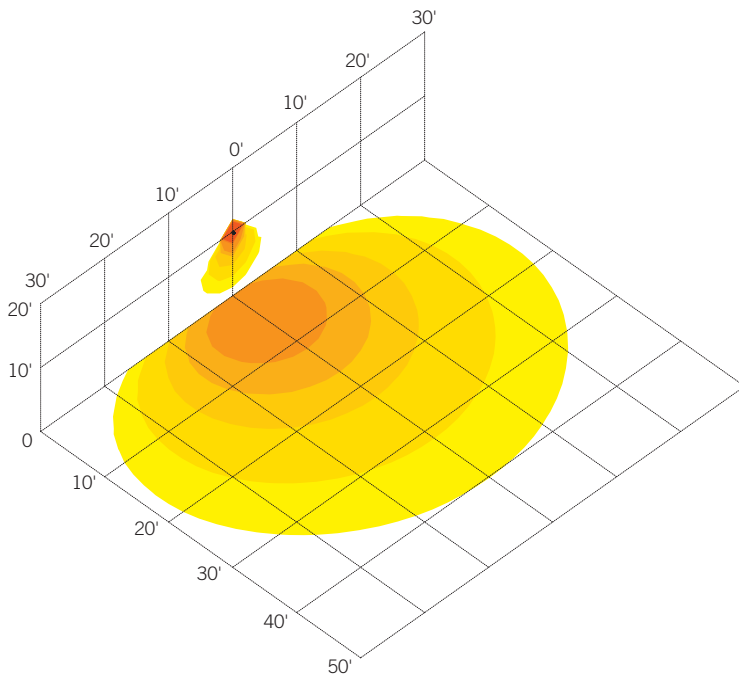
##### Quadrilateral Symmetrical Luminaire Types

Type V, Area Light	B1 U2 G0
--------------------	----------

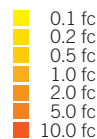
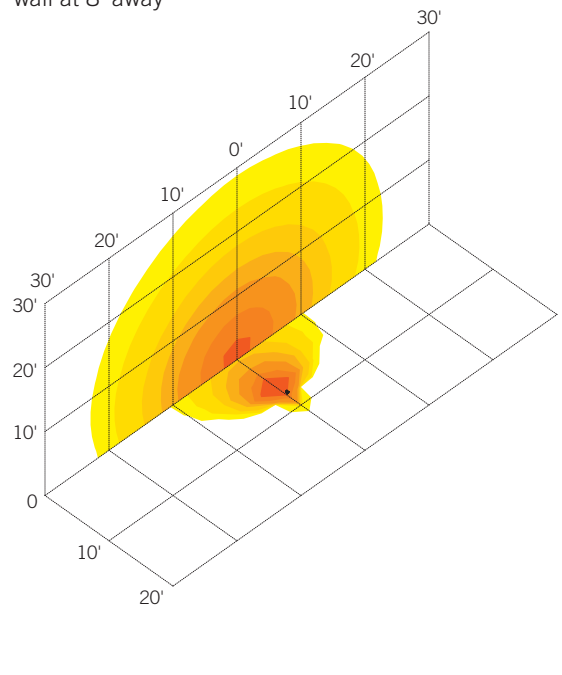
\* Backlight, Uplight, Glare

#### LIGHT DISTRIBUTION PATTERNS (Isometric view from above)

Building exterior mounted at 10',  
30° below horizontal



Ground mounted at 6" above ground,  
10° above horizontal, shining towards exterior  
wall at 8' away

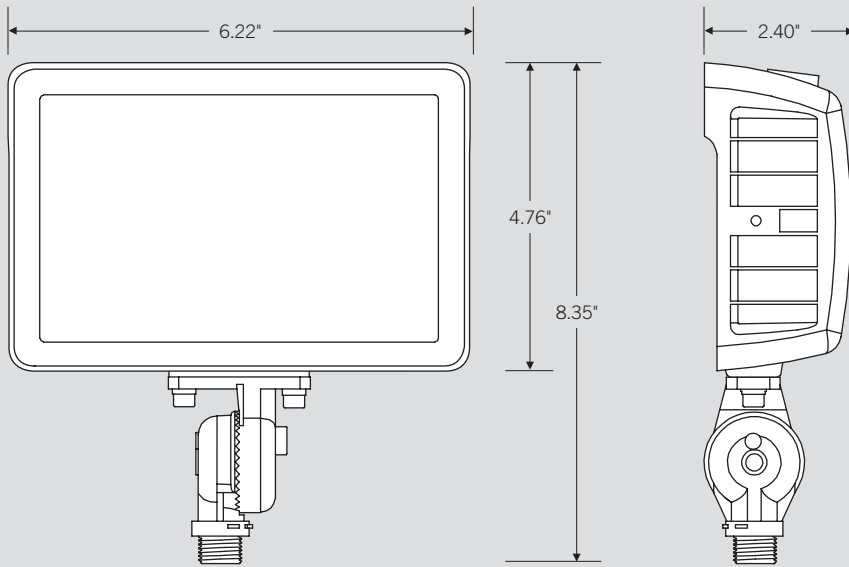


# FL-LED-R1A-15-8CSB-KY

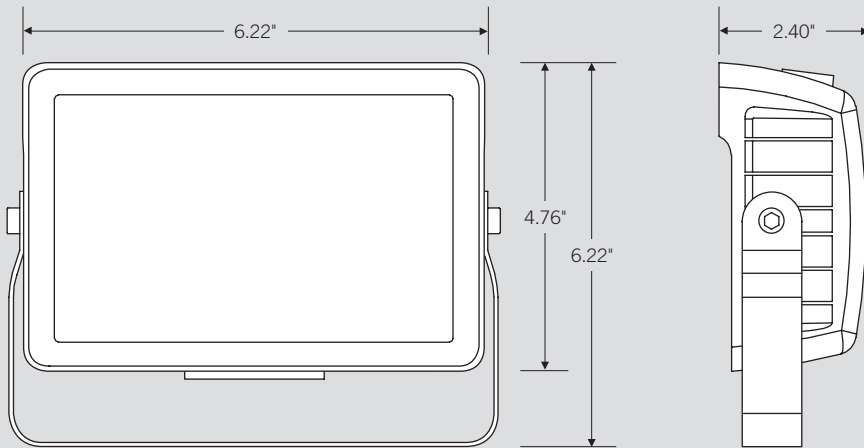
COMPACT 15W GENERAL-PURPOSE LED FLOOD LIGHT

## PHYSICAL SPECIFICATIONS

### KNUCKLE MOUNT



### YOKE MOUNT

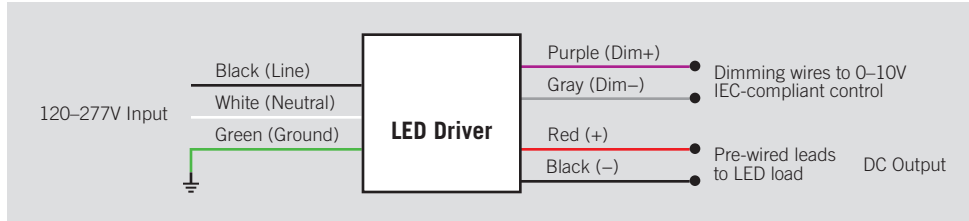


# FL-LED-R1A-15-8CSB-KY

## COMPACT 15W GENERAL-PURPOSE LED FLOOD LIGHT

### GENERAL SETUP INSTRUCTIONS

#### GENERAL WIRING DIAGRAM



**Caution:** Before installing, make certain that AC power to the fixture is off.

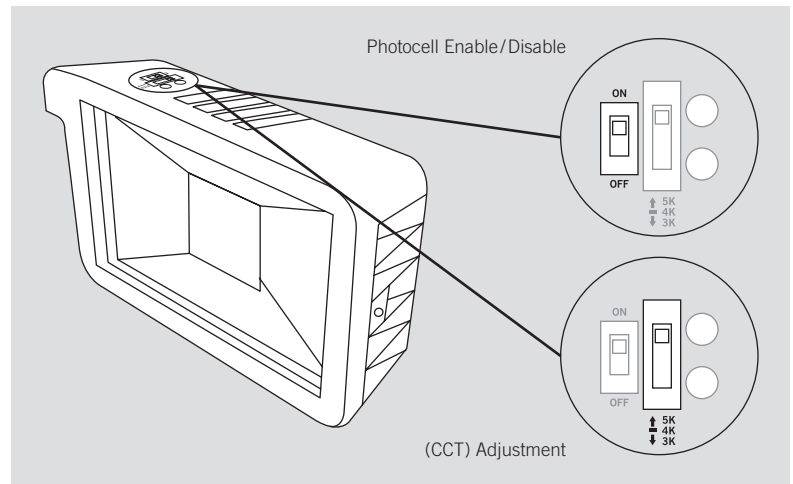
**Caution:** The electrical rating of this product is 120-277V. Installer must confirm that there is 120-277V at the fixture before installation.

#### PHOTOCELL ENABLE/DISABLE

This fixture is equipped with a dusk-to-dawn photocell behind the translucent knock-out (KO) cover. Adjust the dip switch to enable (ON) or disable (OFF) the photocell function (see illustrations to the right). Fixture comes preset with photocell enabled unless otherwise noted.

#### (CCT) ADJUSTMENT

This fixture is equipped with CCT Selection. There is an adjustable dip switch behind the translucent knock-out (KO) cover to change CCT between 5000K, 4000K, and 3000K (see illustrations to the right). Fixture comes preset at 5000K unless otherwise noted.



### ORDERING INFORMATION

CATALOG NUMBER	PACK QTY.	UPC
FL-LED-R1A-15-8CSB-KY	1	843654133515