

FL-LED-R1A-75-8CSB-ST

COMPACT 75W GENERAL-PURPOSE LED FLOOD LIGHT



Compact 75W, 120-277V Input

PRODUCT FEATURES

- Uniform, wide flood design (NEMA 7h x 7w distribution pattern)
- Heavy-duty, die cast aluminum housing featuring built-in glare visor and tempered glass lens
- Powered by 0–10V dimming LED drivers
- CCT Selection: Adjustable CCT (3000K, 4000K, or 5000K)
- Built-in dusk-to-dawn photocell behind translucent 3/4" threaded plug with anti-yellowing agent
- Heavy-duty slip fitter mount and trunnion mount options included
- Ambient operating temperature: –40°C/–40°F to 45°C/113°F
- UL listed for wet locations, IP65
- 0–10V dimming, 10% min
- Power Factor: >0.95
- THD: <20%
- LED chip lifetime: L70 >100,000 hrs @ 25°C/77°F ambient fixture temp
- Meets FCC Part 15, Part B, Class A standards for conducted and radiated emissions
- 18" input cable, pre-stripped
- Fixture impact rating IK07



5 YEAR
WARRANTY



ELECTRICAL SPECIFICATIONS

Catalog Number	Wattage	Lumens	Dimming	CCT*	Efficacy	CRI	Housing Color	Mounting	Input Voltage	Rated Life	Legacy Equivalent
FL-LED-R1A-75-8CSB-ST	75W	9150 lm	0–10V	3000K	122 lm/W	>80	Bronze	Universal: 2 3/8" Slip fitter or trunnion	120–277V	50,000 hrs	250–320W MH
		10725 lm		4000K	143 lm/W						
		10050 lm		5000K	134 lm/W						

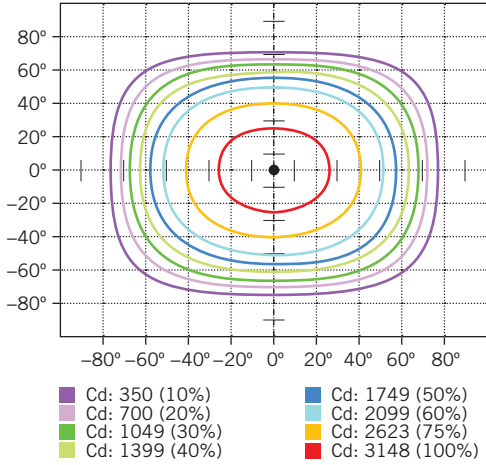
* Color Uniformity: CCT (Correlated Color Temperature) range as per guidelines outlined in ANSI C78.377-2017

FL-LED-R1A-75-8CSB-ST

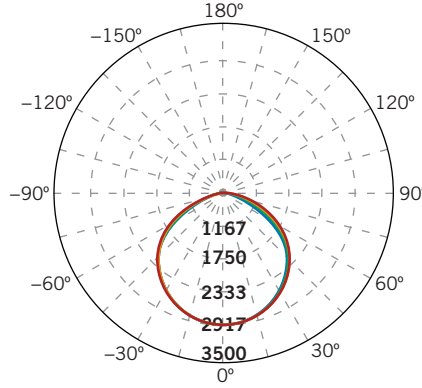
COMPACT 75W GENERAL-PURPOSE LED FLOOD LIGHT

PHOTOMETRIC SPECIFICATIONS

ISOCANDELA PLOT



LUMINOUS INTENSITY DISTRIBUTION



Average diffuse angle (50%): 114.2°

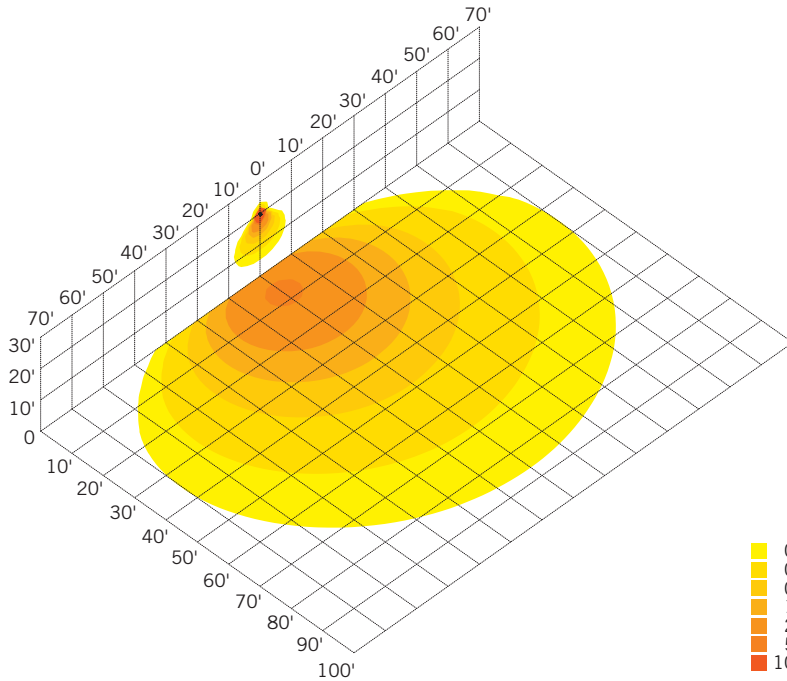
- 1 Blue – 0° H
- 2 Red – 90° H
- 3 Green – 22.5° H
- 4 Orange – 45° H
- 5 Grey – 67.5° H

FLUX DISTRIBUTION

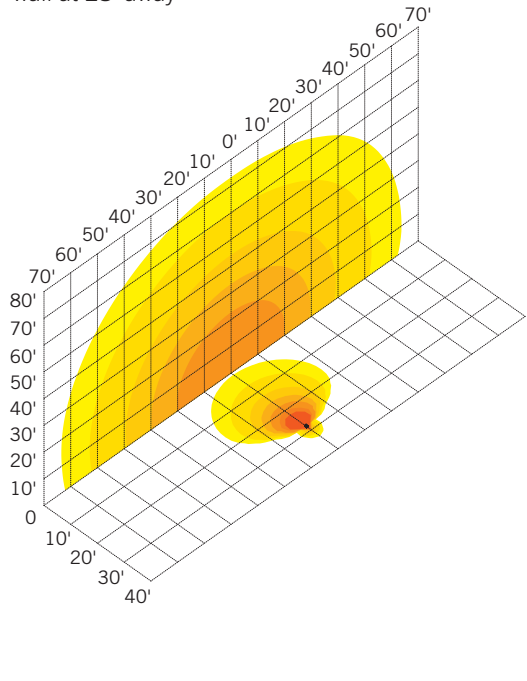
Zone	Lumens	% Luminaire
Forward Light	4,702 lm	49.6%
0°-30°	1,377 lm	14.4%
30°-60°	2,659 lm	27.8%
60°-80°	696 lm	7.3%
80°-90°	10 lm	0.1%
Back Light	4,814 lm	50.4%
0°-30°	1,366 lm	14.3%
30°-60°	2,644 lm	27.7%
60°-80°	788 lm	8.2%
80°-90°	16 lm	0.2%
Up Light	0 lm	0.0%
90°-100°	0 lm	0.0%
100°-180°	0 lm	0.0%

LIGHT DISTRIBUTION PATTERNS (Isometric view from above)

Building exterior mounted at 20',
30° below horizontal



Ground mounted at 6" above ground,
10° above horizontal, shining towards building exterior
wall at 28' away



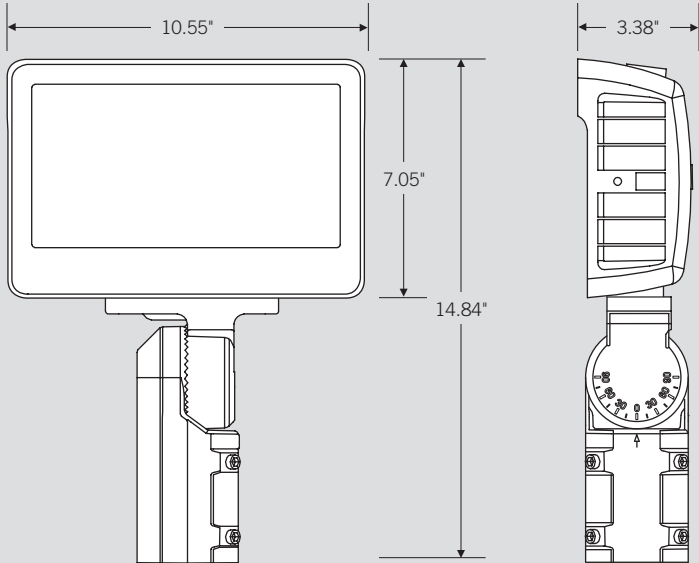
- 0.1 fc
- 0.2 fc
- 0.5 fc
- 1.0 fc
- 2.0 fc
- 5.0 fc
- 10.0 fc

FL-LED-R1A-75-8CSB-ST

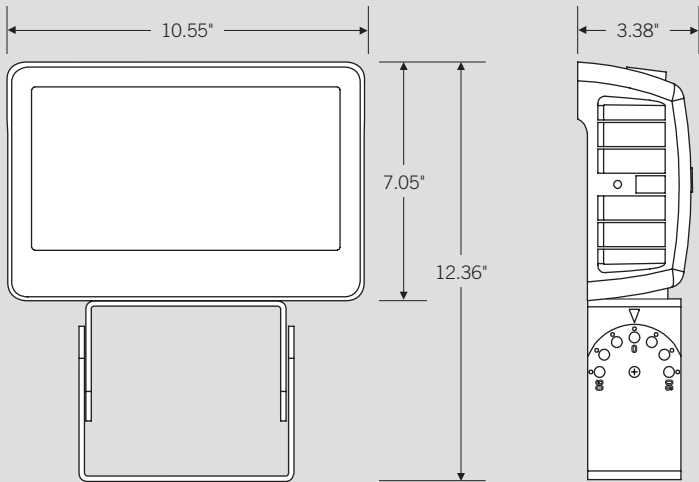
COMPACT 75W GENERAL-PURPOSE LED FLOOD LIGHT

PHYSICAL SPECIFICATIONS

SLIP FITTER MOUNT



TRUNNION MOUNT

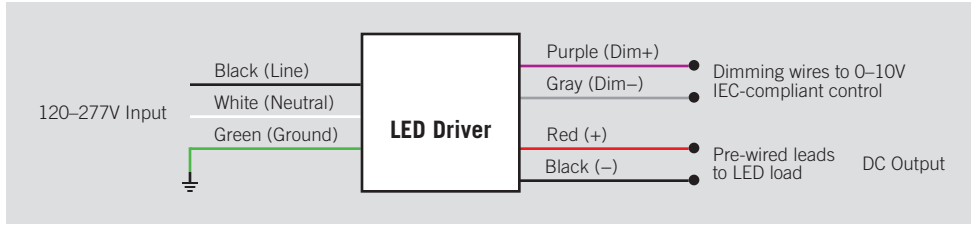


FL-LED-R1A-75-8CSB-ST

COMPACT 75W GENERAL-PURPOSE LED FLOOD LIGHT

GENERAL SETUP INSTRUCTIONS

GENERAL WIRING DIAGRAM



Caution: Before installing, make certain that AC power to the fixture is off.

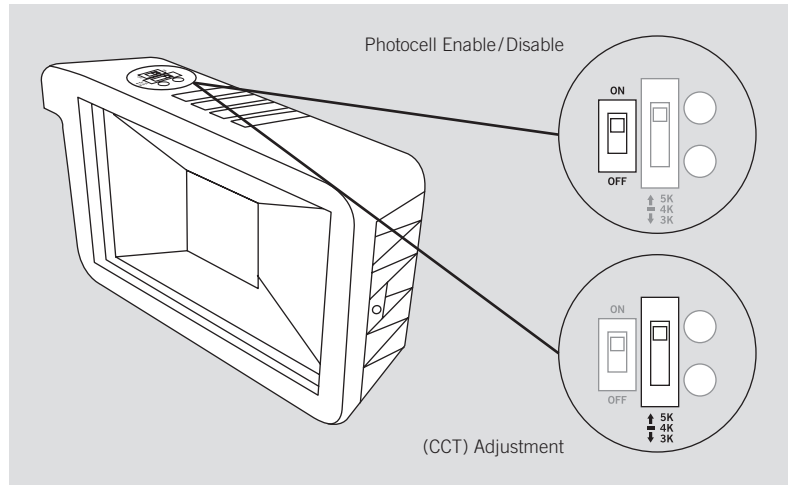
Caution: The electrical rating of this product is 120–277V. Installer must confirm that there is 120–277V at the fixture before installation.

PHOTOCELL ENABLE/DISABLE

This fixture is equipped with a dusk-to-dawn photocell behind the translucent knock-out (KO) cover. Adjust the dip switch to enable (ON) or disable (OFF) the photocell function (see illustrations to the right). Fixture comes preset with photocell enabled unless otherwise noted.

(CCT) ADJUSTMENT

This fixture is equipped with CCT Selection. There is an adjustable dip switch behind the translucent knock-out (KO) cover to change CCT between 5000K, 4000K, and 3000K (see illustrations to the right). Fixture comes preset at 5000K unless otherwise noted.



ORDERING INFORMATION

CATALOG NUMBER	PACK QTY.	UPC
FL-LED-R1A-75-8CSB-ST	1	843654133546