



# T8 LED FREEZER/CABINET LAMPS

## T8 LED LAMP

### DESCRIPTION

18W, 22W, 26W | 4ft, 5ft, 6ft | 4000K, 5000K | >80CRI | 120VAC



|  |   |
|--|---|
| <b>LAMP TYPE:</b> Linear               | <b>COLOR TEMPERATURE:</b> 4000K, 5000K  |
| <b>BULB TYPE:</b> T8 LED               | <b>COLOR RENDERING INDEX (CRI):</b> >80 |
| <b>LAMP LENGTH:</b> 4ft, 5ft, and 6ft. | <b>WARRANTY:</b> 5 Years                |
| <b>WATTAGE:</b> 18W, 22W, 26W          |   |



### PRODUCT FEATURES

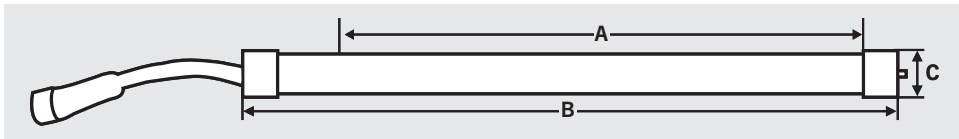
- Uniquely Made for Freezer/Cabinet/Display Applications
- Plugs Directly into AC Outlet
- UL Listed
- 50,000+ Hour Lifetime
- Environmentally Friendly: No Mercury Used
- Instant Startup
- Nanoplastic Lens for Optimal Strength and Minimal Weight
- Includes Mounting Brackets and 72" Power Cord, 2-Prong US Plug
- Operating Temperature: -30°C/-22°F to 40°C/104°F
- 120+ Lumens Per Watt (Bare Lamp Efficacy)
- Suitable for Damp Locations
- IP65 Rated

### OPERATING SPECIFICATIONS

| Catalog Number <sup>1</sup> | Length | Input Voltage | Wattage | CRI | Total Lumens | Efficacy | Power Factor |
|-----------------------------|--------|---------------|---------|-----|--------------|----------|--------------|
| KT-FTLED18T8-48P-8xx        | 4ft    | 120VAC        | 18W     | >80 | 2250         | 125lm/W  | >0.9         |
| KT-FTLED22T8-60P-8xx        | 5ft    | 120VAC        | 22W     | >80 | 2750         | 125lm/W  | >0.9         |
| KT-FTLED26T8-72P-8xx        | 6ft    | 120VAC        | 26W     | >80 | 3250         | 125lm/W  | >0.9         |

<sup>1</sup> "xx" Designates Color Temperature; Available in 4000K and 5000K.

### DIMENSIONS



#### KT-FTLED18T8-48P-8XX

|                               |        |
|-------------------------------|--------|
| <b>A (Illuminated Length)</b> | 43.25" |
| <b>B (Body Length)</b>        | 47.38" |
| <b>C (Diameter)*</b>          | 1.13"  |

#### KT-FTLED22T8-60P-8XX

|                               |        |
|-------------------------------|--------|
| <b>A (Illuminated Length)</b> | 55.25" |
| <b>B (Body Length)</b>        | 59.38" |
| <b>C (Diameter)*</b>          | 1.13"  |

#### KT-FTLED26T8-72P-8XX

|                               |        |
|-------------------------------|--------|
| <b>A (Illuminated Length)</b> | 67.25" |
| <b>B (Body Length)</b>        | 71.38" |
| <b>C (Diameter)*</b>          | 1.13"  |



# T8 LED FREEZER/CABINET LAMPS

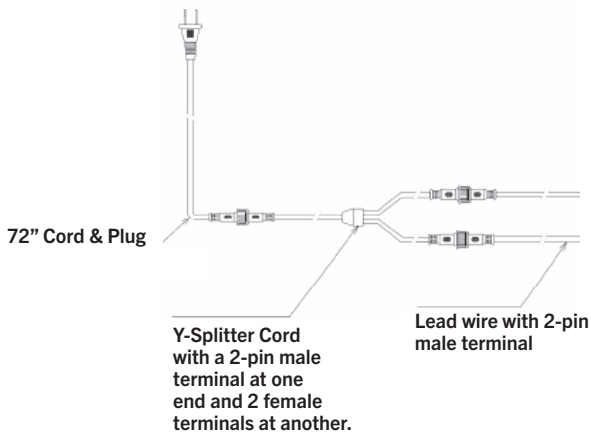
## T8 LED LAMP

### ACCESSORIES

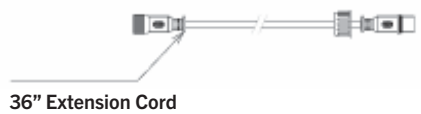
| Catalog Number | Description              |
|----------------|--------------------------|
| KT-WH-FT-36    | 36" Extension Cord, IP65 |
| KT-WH-FT-YS    | Y-Splitter Cord, IP65    |

Accessories Sold Separately.

#### DOUBLE LIGHT CONNECTION:



#### CONNECTION:



### ORDERING INFORMATION

| Order Code           | Pack Quantity | UPC          | Easy Code |
|----------------------|---------------|--------------|-----------|
| KT-FTLED26T8-72P-840 | 1             | 843654100043 | VQK-76    |
| KT-FTLED26T8-72P-850 | 1             | 843654100111 | CVH-10    |
| KT-FTLED22T8-60P-840 | 1             | 843654100135 | PWL-44    |
| KT-FTLED22T8-60P-850 | 1             | 843654100142 | UAL-22    |
| KT-FTLED18T8-48P-840 | 1             | 843654100166 | VIF-55    |
| KT-FTLED18T8-48P-850 | 1             | 843654100449 | GEU-91    |

### CATALOG NUMBER BREAKDOWN

# KT-FTLEDXXT8-48P-8XX

- 1
- 2
- 3
- 4
- 5
- 6
- 7
- 8
- 9

- 1 Keystone Technologies
- 2 LED Freezer Tube
- 3 LED Lamp
- 4 Wattage
- 5 Lamp Type
- 6 Nominal Length (In.)
- 7 Nanoplastic
- 8 800 Series
- 9 Color Temp.