



# KT-HBLED-SM-1B-KIT

## SURFACE MOUNT KIT

### DESCRIPTION

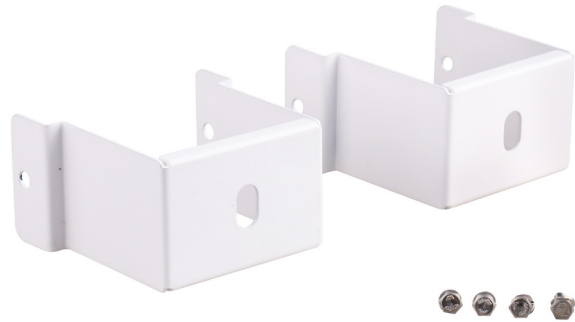
Option 1B Steel Surface Mount Kit for LED Linear High Bay fixtures.

### APPLICATION

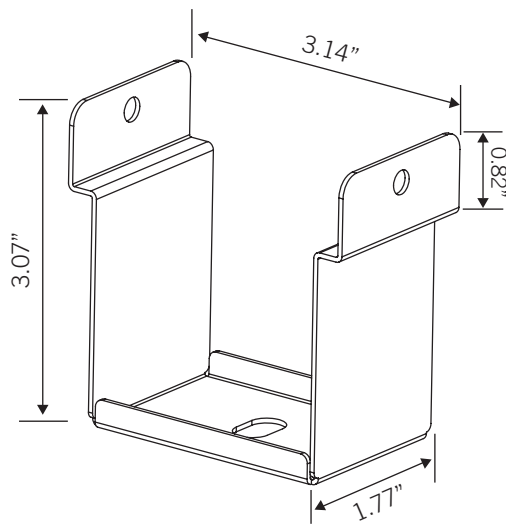
Fits all Keystone "2FB" High Bay fixtures

### FEATURES

Includes: Bracket and Mounting Hardware



### PHYSICAL SPECIFICATIONS



### ORDERING INFORMATION

Catalog Number	Pack Quantity	Easy Code	UPC
KT-HBLED-SM-1B-KIT	TBD	LGJ-33	843654133690

### CATALOG NUMBER BREAKDOWN

# KT-HBLED-SM-1B-KIT

1 2 3 4 5

- 1 Keystone Technologies
- 2 High Bay LED
- 3 Surface Mount
- 4 Style
- 5 Kit

**The Lighting -  
Super Store**

unbeatable prices  
unparalleled selection  
wholesale warehouse club - no membership fees



LightBulbSurplus  
Light More, Pay Less