



KTEB-113-1-TP-EMIA

T5 ELECTRONIC BALLAST



DESCRIPTION

1 x F13T5 | 120V | Normal Power Factor | Small Plastic Case

STARTING METHOD: Rapid
LAMP CONNECTION: N/A
INPUT VOLTAGE: 120VAC ±10%
INPUT FREQUENCY: 60 Hz
BALLAST FACTOR (LIGHT OUTPUT): Normal
WARRANTY: 3 Years



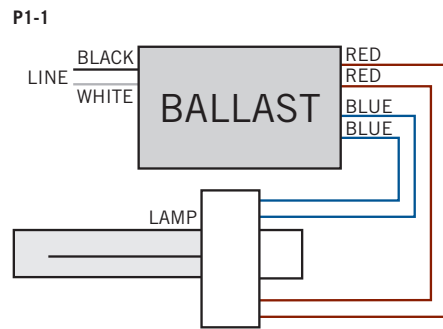
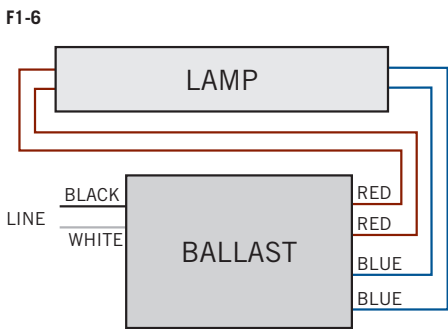
PRODUCT FEATURES

- Sound Rated: A
- Minimum Starting Temperature: 0°F, -18°C
- Maximum Case Temperature: 167°F, 75°C
- Transient Protection Meets ANSI/IEEE C62.41 Cat. A
- Lamp End-of-Life Protected
- UL, cUL 935 Listed
- Meets FCC Part 18 (Class A) Non-Consumer Limits

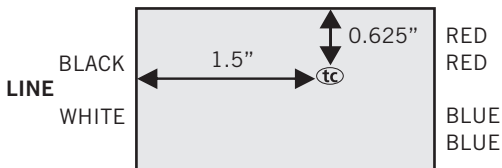
ELECTRICAL SPECIFICATIONS

LAMP TYPE	NO. OF LAMPS	INPUT VOLTS	INPUT WATTS	INPUT CURRENT (AMPS)	POWER FACTOR	CREST FACTOR	BALLAST FACTOR	BALLAST EFFICACY FACTOR	MAX THD (%)	WIRING DIAGRAM
F13T5	1	120	16.5	0.25	0.55	1.60	1.00	6.06	150	F1-6
CFT13W/2GX7	1	120	16	0.24	0.54	1.60	1.00	6.25	150	P1-1

WIRING DIAGRAMS



HOT SPOT LOCATION



Actual tc point is noted on each ballast label.



KTEB-113-1-TP-EMIA

T5 ELECTRONIC BALLAST

MECHANICAL SPECIFICATIONS

CASE DIMENSIONS

	LENGTH	3.06"
	WIDTH	1.45"
	HEIGHT	1.04"
	MOUNTING	2.75"
	CASE STYLE	X1

STANDARD LEAD LENGTHS*

BLACK	12"
WHITE	12"
BLUE	18"
RED	18"

*Consult Keystone for special lead length requirements.

ORDERING INFORMATION

ORDER CODE	PACKAGING STYLE	PACK QTY.	ITEM STATUS
KTEB-113-1-TP-EMIA-CP	Carton Pack	50	Quick Ship

CATALOG NUMBER BREAKDOWN

KTEB-113-1-TP-EMIA-CP

Keystone Technologies Electronic Ballast	1 Lamp	13 Watts	120V Input	Thermally Protected	EMI Filter	Class A	Packaging Style
---------------------------------------------	-----------	-------------	---------------	------------------------	---------------	------------	--------------------