



KTEB-432-3-IS-N-P

T8 ELECTRONIC BALLAST



DESCRIPTION

4 x F32T8 | 347V Input Voltage | High Power Factor | Instant Start

STARTING METHOD: Instant Start
LAMP CONNECTION: Parallel
INPUT VOLTAGE: 347Vac ±10%
INPUT FREQUENCY: 50-60 Hz
POWER FACTOR: High
WARRANTY: 5 Years

PRODUCT FEATURES

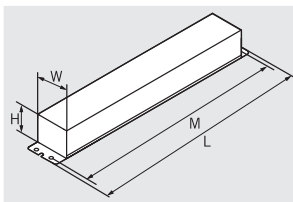
- Maximum Case Temperature: 194°F, 90°C
- Meets ICES-005 (Class A) for EMI and RFI
- Meets ANSI Standard C82.11 and C62.41
- Meets CSA Standards C22.2 No74-96, C654-10, and C654-14
- UL, cUL Listed Class P, Type 1 Outdoor
- Type HL
- No PCBs
- Sound Rated: A

ELECTRICAL SPECIFICATIONS

Lamp Type	No. of Lamps	Input Volts	Input Watts	Nominal Line Amps	Power Factor	Ballast Factor	Ballast Efficacy Factor	Max. THD	Crest Factor	Min. Start Temperature
F32T8 (32W)	4	347V	108W	0.32A	>0.90	0.88	0.81	10%	<1.70	0°F/-18°C
	3	347V	89W	0.26A	>0.90	0.96	1.08	10%	<1.70	0°F/-18°C
F32T8 (30W)	4	347V	102W	0.30A	>0.90	0.88	0.86	10%	<1.70	60°F/16°C
	3	347V	85W	0.25A	>0.90	0.96	1.13	10%	<1.70	60°F/16°C
F32T8 (28W)	4	347V	95W	0.28A	>0.90	0.88	0.93	10%	<1.70	60°F/16°C
	3	347V	78W	0.23A	>0.90	0.96	1.23	10%	<1.70	60°F/16°C
F32T8 (25W)	4	347V	85W	0.26A	>0.90	0.88	1.04	10%	<1.70	60°F/16°C
	3	347V	70W	0.21A	>0.90	0.96	1.37	10%	<1.70	60°F/16°C
F25T8	4	347V	85W	0.26A	>0.90	0.88	1.04	10%	<1.70	0°F/-18°C
	3	347V	70W	0.21A	>0.90	0.96	1.37	10%	<1.70	0°F/-18°C
F17T8	4	347V	60W	0.19A	>0.90	0.89	1.48	10%	<1.70	0°F/-18°C
	3	347V	50W	0.15A	>0.90	0.98	1.96	12%	<1.70	0°F/-18°C
F40T8	3	347V	108W	0.31A	>0.90	0.97	0.90	10%	<1.70	0°F/-18°C

PHYSICAL SPECIFICATIONS

CASE DIMENSIONS



LENGTH	9.50"
WIDTH	1.70"
HEIGHT	1.18"
MOUNTING	9.00"
CASE STYLE	L5

STANDARD LEAD LENGTHS*

BLACK	25"
WHITE	25"
BLUE	31"
RED	31"
YELLOW	39"

Lead wires are 18 AWG
105°C/600V, solid copper.

CASE MATERIAL: Steel

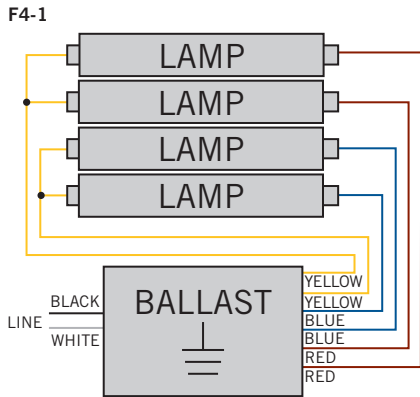
*Consult Keystone for special lead length requirements.



KTEB-432-3-IS-N-P

T8 ELECTRONIC BALLAST

WIRING DIAGRAM



ORDERING INFORMATION

ORDER CODE	PACKAGING STYLE	PACK QTY.	ITEM STATUS
KTEB-432-3-IS-N-P-CP	Carton Pack	10	Quick Ship

CATALOG NUMBER BREAKDOWN

