



KTEB-432RIS-1-TP-SL

T8 ELECTRONIC BALLAST

Version A1



DESCRIPTION

4 x F32T8 | 120V | NPF | Instant Start

STARTING METHOD: Instant
LAMP CONNECTION: Parallel
INPUT VOLTAGE: 120VAC ±10%
INPUT FREQUENCY: 60 Hz
POWER FACTOR: Normal
WARRANTY: 3 Years

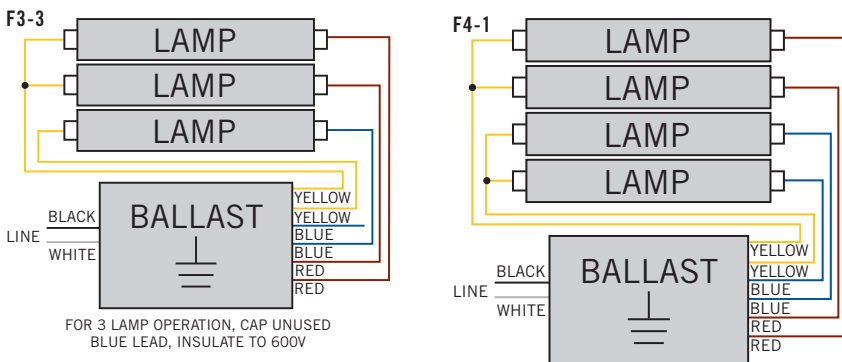
PRODUCT FEATURES

- 2014 DOE Compliant
- Sound Rated: A
- Maximum Case Temperature: 167°F, 75°C
- Meets FCC Part 18 (Class B) Consumer Limits
- OCV: 600V
- UL, cUL Listed (Class P, Type 1 Outdoor)
- Type HL

ELECTRICAL SPECIFICATIONS

LAMP TYPE	NO. OF LAMPS	INPUT VOLTS	INPUT WATTS	INPUT CURRENT (AMPS)	POWER FACTOR	CREST FACTOR	BALLAST FACTOR	BALLAST EFFICACY FACTOR	MAX THD%	MIN. START TEMP.	WIRING DIAGRAM
F32T8	4	120	103	1.62	≥0.50	≤1.70	0.82	0.80	165	0°F, -18°C	F4-1
	3	120	86	1.35	≥0.50	≤1.70	0.90	1.04	170	0°F, -18°C	F3-3
F32T8 (30W)	4	120	96	1.58	≥0.50	≤1.70	0.81	0.85	165	32°F, 0°C	F4-1
	3	120	78	1.30	≥0.50	≤1.70	0.88	1.13	170	32°F, 0°C	F3-3
F32T8 (28W)	4	120	90	1.48	≥0.50	≤1.70	0.82	0.91	165	32°F, 0°C	F4-1
	3	120	73	1.21	≥0.50	≤1.70	0.87	1.19	175	32°F, 0°C	F3-3
F32T8 (25W)	4	120	86	1.39	≥0.50	≤1.70	0.86	1.00	170	32°F, 0°C	F4-1
	3	120	71	1.18	≥0.50	≤1.70	0.94	1.32	175	32°F, 0°C	F3-3
F25T8	4	120	86	1.25	≥0.50	≤1.70	0.86	1.00	170	0°F, -18°C	F4-1
	3	120	77	1.12	≥0.50	≤1.70	1.00	1.31	175	0°F, -18°C	F3-3
F17T8	4	120	67	0.97	≥0.50	≤1.70	0.95	1.42	175	0°F, -18°C	F4-1
	3	120	48	0.84	≥0.45	≤1.70	0.92	1.90	185	0°F, -18°C	F3-3
F40T8	3	120	101	1.62	≥0.50	≤1.70	0.87	0.86	165	32°F, 0°C	F3-3

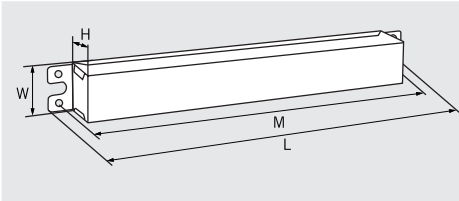
WIRING DIAGRAMS



Instant start T8 ballasts require the use of either shunted sockets or a sockets with a manual wire shunt (or “bridge”).

MECHANICAL SPECIFICATIONS

CASE DIMENSIONS



LENGTH	9.50"
WIDTH	1.30"
HEIGHT	1.10"
MOUNTING	8.90"
CASE STYLE	L11

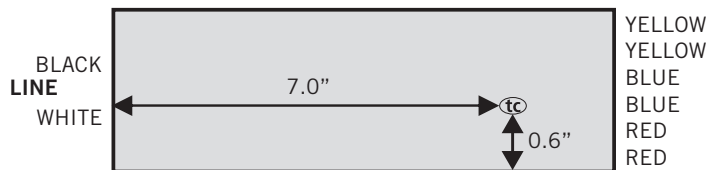
STANDARD LEAD LENGTHS*

BLACK	25"
WHITE	25"
BLUE	31"
RED	31"
YELLOW	46"

CASE MATERIAL: Metal

*Consult Keystone for special lead length requirements.

HOT SPOT LOCATION



ORDERING INFORMATION

ORDER CODE	PACKAGING STYLE	PACK QTY.	ITEM STATUS
KTEB-432RIS-1-TP-SL-CP	Carton Pack	20	Active
KTEB-432RIS-1-TP-SL-BP	Bulk Pack	TBD	Special Order

NOTE: Version A1 (Manufacturing Revision). Prior versions of this ballast exist. Spec sheets for prior versions available upon request. Contact Keystone for details.

CATALOG NUMBER BREAKDOWN

KTEB-432RIS-1-TP-SL-CP

Keystone Technologies Electronic Ballast	4 Lamp	32 Watts	Residential Instant Start	120V Input	Thermally Protected	Slim Case Style	Packaging Style
---	-----------	-------------	------------------------------	---------------	------------------------	--------------------	--------------------