



KTLD-25-1-XXX-FDIM-AQ1

CONSTANT CURRENT LED DRIVER

DESCRIPTION

LED Driver | 25W | 120V Input | 300-1400mA Output



TOTAL POWER: 25W	OUTPUT CURRENT: 300-1400mA
INPUT VOLTAGE: 120Vac ± 10%	DIMMING: Phase Control
INPUT FREQUENCY: 60 Hz	WARRANTY: 5 Years

ELECTRICAL SPECIFICATIONS

Input Voltage Range	120Vac ± 10%
Frequency	60 Hz
Power Factor	> 0.9 under 120Vac input with 80~100% load condition (For All Output Currents)
Inrush Current	10A @120V
Max. Input Current	0.29A @120V
THD	< 20% under 120Vac input with 80~100% load condition (For All Output Currents)
Load Regulation	± 2%
Line Regulation	± 1%
Output Tolerance	± 5% at Full Load Condition
Turn-On Delay Time	< 0.5s at Full Load Condition
Overshoot	< 10% at Full Load Condition
No Load Power Consumption	< 1W
Withstand Voltage	Input to output, 2,800Vdc, 2mA
Leakage Current	Maximum 0.5mA at 120Vac, 60Hz input
Protection	<ul style="list-style-type: none"> • Over Voltage Protection: Hiccup mode. Protection will trigger when load voltage exceeds specified output voltage and will auto recover after the fault mode is removed. • Over Current Protection: Hiccup mode. Protection will trigger when load current exceeds specified output current and will auto recover after the fault mode is removed. • Short Circuit Protection: Hiccup mode. Protection will trigger when short circuited and will auto recover after the fault mode is removed.

PRODUCT SPECIFICATIONS

Catalog Number	Max. Output Power	Output Current	Output Voltage	OCV	Typical Efficiency at 120V	Remote Mounting Distance (#22 AWG)	Class 2	
							US	Canada
KTLD-25-1-300-FDIM-AQ1	25W	300mA	28-84V	95V	82%	49 ft		
KTLD-25-1-350-FDIM-AQ1	25W	350mA	24-72V	80V	82%	42 ft		
KTLD-25-1-400-FDIM-AQ1	25W	400mA	21-63V	70V	82%	36 ft		
KTLD-25-1-500-FDIM-AQ1	25W	500mA	17-50V	57V	81%	29 ft	✓	
KTLD-25-1-600-FDIM-AQ1	25W	600mA	14-42V	49V	81%	24 ft	✓	✓
KTLD-25-1-700-FDIM-AQ1	25W	700mA	12-36V	43V	81%	21 ft	✓	✓
KTLD-25-1-800-FDIM-AQ1	25W	800mA	10-32V	39V	81%	18 ft	✓	✓
KTLD-25-1-900-FDIM-AQ1	25W	900mA	10-28V	35V	81%	16 ft	✓	✓
KTLD-25-1-1000-FDIM-AQ1	25W	1000mA	10-25V	32V	80%	14 ft	✓	✓
KTLD-25-1-1100-FDIM-AQ1	25W	1100mA	10-23V	30V	80%	13 ft	✓	✓
KTLD-25-1-1200-FDIM-AQ1	25W	1200mA	10-21V	28V	80%	12 ft	✓	✓
KTLD-25-1-1300-FDIM-AQ1	25W	1300mA	10-19V	26V	80%	11 ft	✓	✓
KTLD-25-1-1400-FDIM-AQ1	25W	1400mA	10-18V	25V	80%	10 ft	✓	✓

ENVIRONMENTAL SPECIFICATIONS

Operating Temperature	-40 to 60°C
Storage Temperature	-40 to 85°C
Humidity	5% to 95%
MTBF	374,000 hours at 40°C ambient (~70°C Case temp)
Life Rating	75,000 hours at 120Vac input, 100% load and 60°C case temperature
Maximum Case Temperature	90°C

SAFETY AND EMC COMPLIANCE

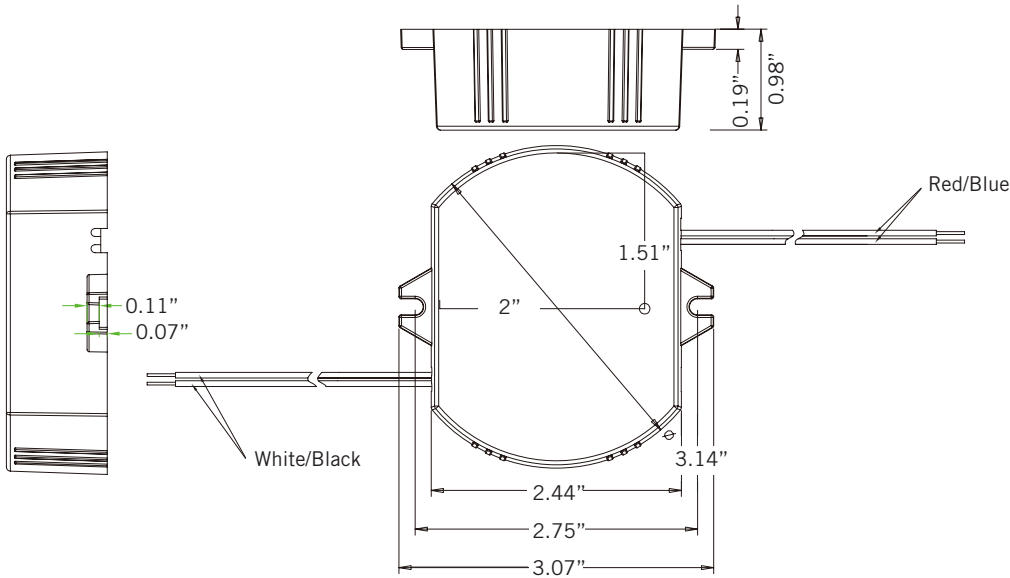
UL/cUL	UL 8750, Class P, Type HL
CE	EN61347-1, EN61347-2-13
FCC, 47CFR Part 15	ANSI C63.4:2009 Class B (Consumer Limit)
EN61000-3-2	Harmonic Current Emissions Class C



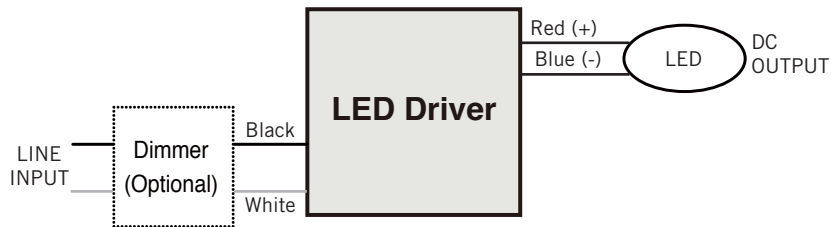
KTLD-25-1-XXX-FDIM-AQ1

CONSTANT CURRENT LED DRIVER

PHYSICAL SPECIFICATIONS



WIRING DIAGRAM



WIRING SPECIFICATIONS

INPUT	12", UL 1316 #18AWG (Black and White)
OUTPUT	12", UL 1316 #18AWG (With Non-Class 2 Output) 12", UL 1316/1430 #22AWG (With Class 2 Output) (Red and Blue)

ORDERING INFORMATION

ORDER CODE	PACKAGING STYLE	PACK QTY.	ITEM STATUS
KTLD-25-1-xxx-FDIM-AQ1-CP	Carton Pack	TBD	Quick Ship

CATALOG NUMBER BREAKDOWN

KTLD-25-1-XXX-FDIM-AQ1-CP

