



# TRI-DIM SELECT CONSTANT CURRENT LED DRIVER

## AVAILABLE IN 12W, 25W, OR 40W



### DESCRIPTION

LED Driver | 120–277V Input | 0–10V, Triac, and ELV Dimming\*

<b>TOTAL POWER:</b> 12W, 25W, or 40W
<b>INPUT VOLTAGE:</b> 120–277Vac ±10%
<b>INPUT FREQUENCY:</b> 50/60 Hz
<b>OUTPUT CURRENT:</b> 350mA, 700mA, or 1050mA
<b>NUMBER OF OUTPUTS:</b> One
<b>DIMMING:</b> 0–10V, Triac, and ELV Dimming*
<b>WARRANTY:</b> 5 Years



\* Triac and ELV Dimming only at 120V

### ELECTRICAL SPECIFICATIONS

Input Voltage Range	120–277Vac ±10%
Frequency	50/60 Hz
Power Factor	≥0.98 @120Vac (full load); ≥0.92 @277Vac (full load)
Inrush Current	<20A/250µS
Max. Input Current	0.47A @120Vac (full load)
THD	<20% under 120–277Vac input with 80–100% load condition (for all output currents)
Load Regulation	± 5%
Line Regulation	± 5%
Turn-On Delay Time	<1 second at full load condition
No Load Power Consumption	<1.5W
Ripple and Noise (pk-pk)	<30% (full load)
Withstand Voltage	Input to output, 2kV
Leakage Current	Maximum 0.05mA
Protection	<ul style="list-style-type: none"> <li>• <b>Over Voltage Protection:</b> Hiccup mode. Protection will trigger when load voltage exceeds specified output voltage and will auto recover after the fault mode is removed.</li> <li>• <b>Short Circuit Protection:</b> Hiccup mode. Protection will trigger when short circuit and will auto recover after the fault mode is removed.</li> </ul>

### PRODUCT SPECIFICATIONS

Catalog Number	Max. Output Power	Available Output Current	Output Voltage	Typical Efficiency*	Class 2	
					US	Canada
KTLD-12-UV-350-CDIM-W4	12.5W	350mA	18–36Vdc	86%	✓	✓
KTLD-25-UV-700-CDIM-W4	25.2W	700mA	18–36Vdc	87%	✓	✓
KTLD-40-UV-1050-CDIM-W4	37.8W	1050mA	18–36Vdc	87%	✓	✓

\* Measured at 120V and 50% of maximum possible load. For efficiencies at other parameters, please contact Keystone Technologies.

### ENVIRONMENTAL SPECIFICATIONS

Operating temperature	–25°C/–13°F to 50°C/122°F
Storage temperature	–40°C/–40°F to 85°C/185°F
Humidity	5% to 90%
MTBF	500,000 hrs
Life rating	50,000 hrs
Maximum case temperature	80°C/176°F

### SAFETY AND EMC COMPLIANCE

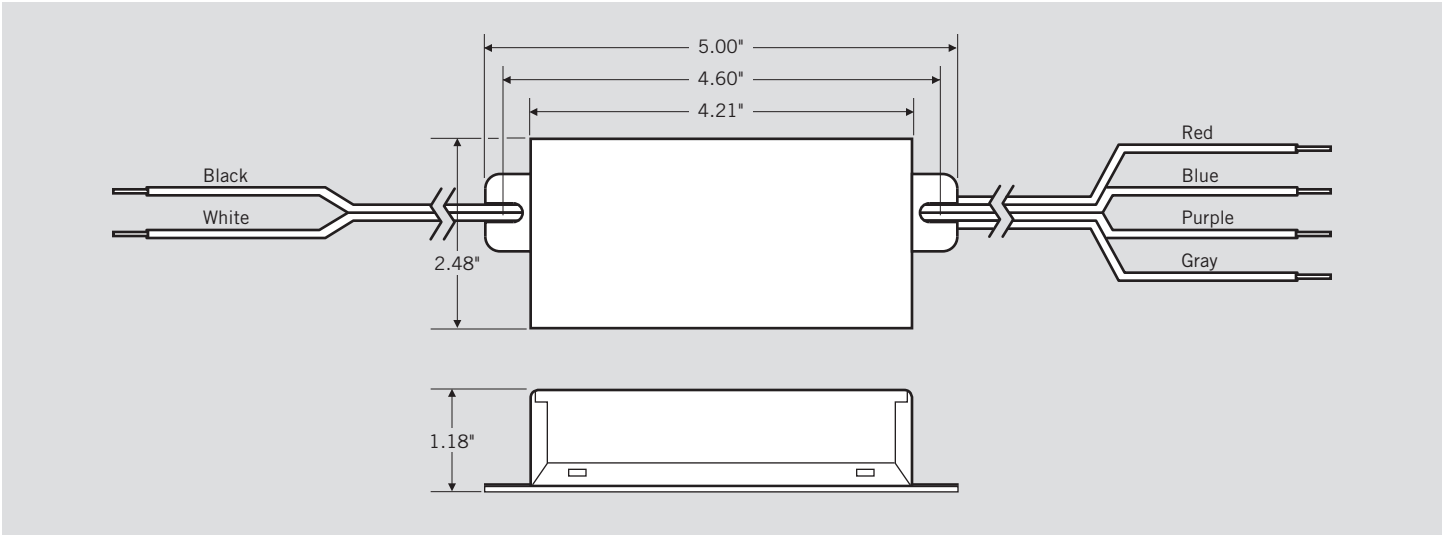
UL/cUL	UL 8750, Class 2, Recognized, UL 1310
FCC, 47CFR Part 15	ANSI C63.4:2009 Class B (consumer limit)



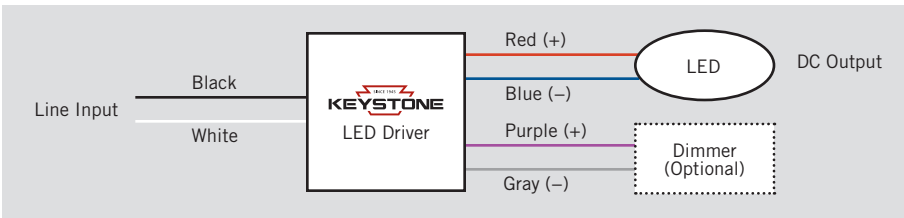
# TRI-DIM SELECT CONSTANT CURRENT LED DRIVER

AVAILABLE IN 12W, 25W, OR 40W

## PHYSICAL SPECIFICATIONS



## WIRING DIAGRAM



## WIRING SPECIFICATIONS

<b>Input</b>	Black	7.87", #18AWG, 105°C/221°F, 50P PVC, Stranded, Tinned
	White	
<b>Output</b>	Red	
	Blue	
<b>Dimming</b>	Purple	
	Gray	

## ORDERING INFORMATION

ORDER CODE	PACK QUANTITY	ITEM STATUS
KTLD-12-UV-350-CDIM-W4	TBD	Quick Ship
KTLD-25-UV-700-CDIM-W4	TBD	Quick Ship
KTLD-40-UV-1050-CDIM-W4	TBD	Quick Ship

## CATALOG NUMBER BREAKDOWN

# KTLD-XX-UV-XXX-CDIM-W4



- 1 Keystone Technologies LED Driver
- 2 Max. Output Wattage
- 3 120–277V Input
- 4 Output Current
- 5 0–10V/Triac/ELV Dimming
- 6 Case Style