



EXTERNAL DRIVE LED

TYPE C LED TUBES

KTLD-4LT5HO-UV-22C-VDIM

CONSTANT CURRENT LED DRIVER FOR TYPE C T5HO LAMPS

DESCRIPTION

Constant Current Output | 120–277V Input | 0–10V Dimming



DRIVER TYPE: Constant Current

OUTPUT CURRENT: 500A × 4 Channels

INPUT POWER: 25W × 4

MAX. CURRENT 0.97A@120V

MAX. OUTPUT POWER: 90W

WARRANTY: 5 Years

PRODUCT FEATURES

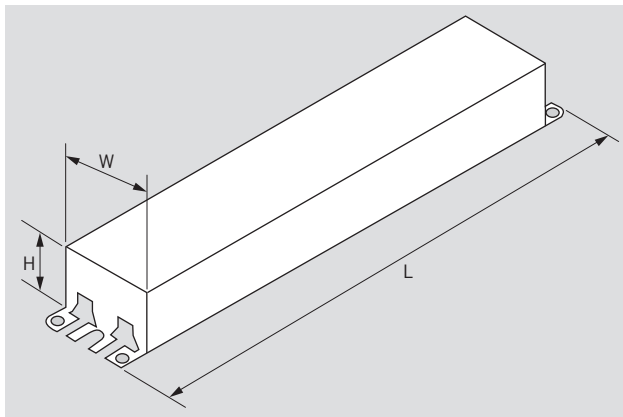
- Compatible with Keystone external drive T5HO LED lamps
- Meets FCC Part 15 (Class B) consumer limits
- Short circuit overload and open load protection
- Type 1 outdoor, suitable for dry and damp locations
- UL8750 Recognized component
- Dimmable with 0–10V Dimmer, dim minimum 10%
- Operating temperature: –20°C/–4°F to 45°C/113°F
- 85°C/185°F maximum case temperature
- Input frequency: 50/60 Hz
- THD: < 20%

ELECTRICAL SPECIFICATIONS

INPUT CHARACTERISTICS				OUTPUT CHARACTERISTICS			FEATURES
Input Voltage	Input Power	Power Factor	Max. Current	Max. Output Power	Max. Current	Output Voltage	Efficiency
120–277Vac	25W × 4	>0.9	0.97A@120V	90W	500A × 4 Channels	36–45Vdc	88%

MECHANICAL SPECIFICATIONS

CASE DIMENSIONS



LENGTH (L)	9.60"
WIDTH (W)	1.80"
HEIGHT (H)	1.30"

*TC Point (85°C) is noted on each driver label



EXTERNAL DRIVE LED

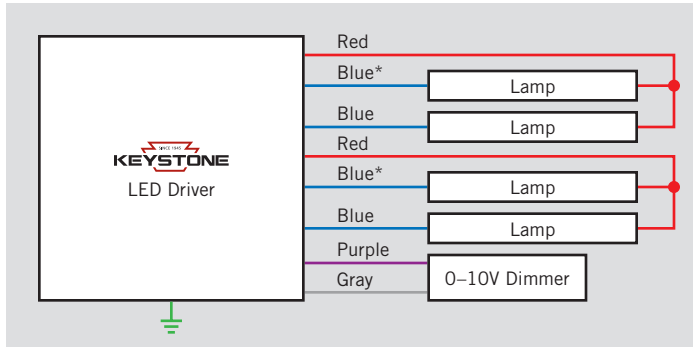
TYPE C LED TUBES

KTLD-4LT5HO-UV-22C-VDIM

CONSTANT CURRENT LED DRIVER FOR TYPE C T5HO LAMPS

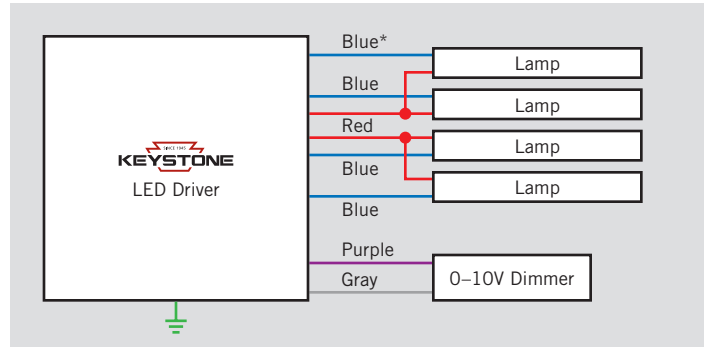
WIRING

DOUBLE-ENDED WIRING



* For 3 lamp application, cap off 1 blue lead

SINGLE-ENDED WIRING



* For 3 lamp application, cap off 1 blue lead

STANDARD LEAD LENGTHS*

Input	Black	30.00"
	White	30.00"
Output	Red	30.00"
	Blue	30.00"
Dimming	Purple	30.00"
	Gray	30.00"

Lead wires are 18 AWG 105° C/600V.

*Consult Keystone for special lead length requirements.

ORDERING INFORMATION

Order Code	Packaging Style	Pack Quantity	Item Status
KTLD-4LT5HO-UV-22C-VDIM-CP	Carton Pack	25	Active

CATALOG NUMBER BREAKDOWN

KTLD-4LT5HO-UV-22C-VDIM-CP

1
2
3
4
5
6
7
8

- 1** Keystone Technologies LED Driver
- 2** Number of Lamps
- 3** Lamp Type
- 4** High Output
- 5** 120–277V Input
- 6** Lamp Wattage
- 7** 0–10V Dimming
- 8** Packaging Style