



EXTERNAL DRIVE LED

TYPE C LED TUBES

KTLD-4LT8-UV-12C-VDIM CONSTANT CURRENT LED DRIVER FOR TYPE C T8 LAMPS

DESCRIPTION

Constant Current Output | 120–277V Input | 0–10V Dimming



DRIVER TYPE: Constant Current
MAX. OUTPUT POWER: 48.6W
INPUT VOLTAGE: 120–277Vac ± 10%
OUTPUT VOLTAGE: 36–45 Vdc
OUTPUT CURRENT: 270mA × 4 channels
WARRANTY: 5 Years



PRODUCT FEATURES

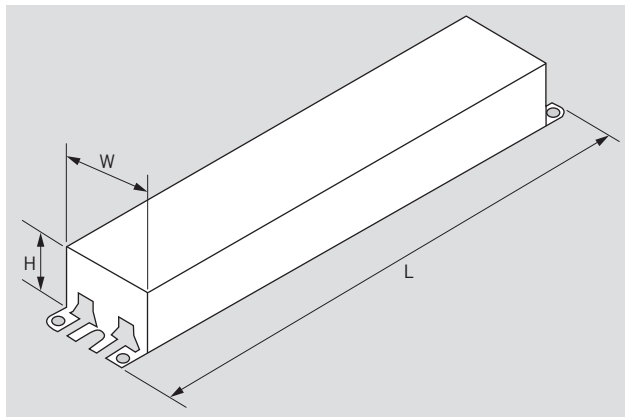
- Compatible with Keystone external drive T8 LED lamps
- Meets FCC Part 15 (Class B) consumer limits
- Short circuit overload and open load protection
- Type 1 outdoor, suitable for dry and damp locations
- UL8750 Recognized component
- Dimmable with 0–10V dimmer, dim maximum 10%
- Operating temperature: –20°C/–4°F to 45°C/113°F
- 85°C/185°F maximum case temperature
- Input frequency: 50/60 Hz
- THD: < 20%

ELECTRICAL SPECIFICATIONS

INPUT CHARACTERISTICS				OUTPUT CHARACTERISTICS			FEATURES
Input Voltage	Input Power	Power Factor	Max. Current	Max. Output Power	Rated Output Current	Output Voltage	Efficiency
120–277Vac	57.6W	>0.9	0.48A @ 120V	48.6W	270mA × 4 Channels	36–45Vdc	88%

MECHANICAL SPECIFICATIONS

CASE DIMENSIONS



LENGTH (L)	9.50"
WIDTH (W)	1.80"
HEIGHT (H)	1.30"

*TC Point (85°C) is noted on each driver label



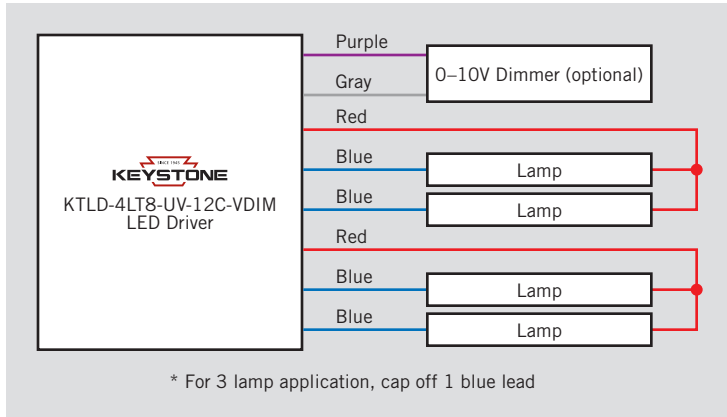
EXTERNAL DRIVE LED

TYPE C LED TUBES

KTLD-4LT8-UV-12C-VDIM

CONSTANT CURRENT LED DRIVER FOR TYPE C T8 LAMPS

WIRING



STANDARD LEAD LENGTHS*

Input	Black	30.00"
	White	30.00"
Output	Red	30.00"
	Blue	30.00"
Dimming	Purple	30.00"
	Gray	30.00"

Lead wires are 18 AWG 105° C/600V.

*Consult Keystone for special lead length requirements.

ORDERING INFORMATION

Order Code	Pack Quantity	Item Status
KTLD-4LT8-UV-12C-VDIM-CP	25	Active

CATALOG NUMBER BREAKDOWN

KTLD-4LT8-UV-12C-VDIM

- 1
- 2
- 3
- 4
- 5
- 6

- 1 Keystone Technologies LED Driver
- 2 Number of Lamps
- 3 Lamp Type
- 4 120-277V Input
- 5 Lamp Wattage
- 6 0-10V Dimming