



KT-LED17PLL-22G-835-D

PLL LED LAMP

DESCRIPTION

17W PLL LED | 3500K | >80 CRI | High-Efficiency



| |
|---|
| LAMP TYPE: PLL |
| BASE TYPE: 2G11 |
| WATTAGE: 17W |
| COLOR TEMPERATURE: 3500K |
| COLOR RENDERING INDEX (CRI): >80 |
| WARRANTY: 5 Years |



PRODUCT FEATURES

- Replacement for conventional fluorescent lamp
- UL Classified
- 50,000+ hour lifetime
- Approximately 50% more energy efficient than standard FT40/2G11 lamps
- Environmentally friendly: No mercury used
- Integral driver (isolated) eliminates the need for an external ballast or driver
- Instant startup
- Not dimmable
- Frosted lens eliminates pixelation
- Operating temperature: -20°C/-4°F to 45°C/113°F
- 100+ Lumens per Watt (bare lamp efficacy)
- Suitable for dry and damp locations
- NSF listed: NSF/ANSI Standard 2 – Food Equipment

OPERATING SPECIFICATIONS

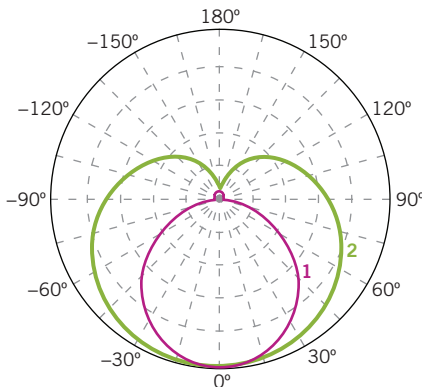
ELECTRICAL AND PERFORMANCE CHARACTERISTICS

| Input Voltage | CRI | Bare Lamp Wattage | Nominal Lamp Lumens | Beam Angle | Nominal Bare Lamp Efficacy | Power Factor | Max. THD |
|---------------|-----|-------------------|---------------------|------------|----------------------------|--------------|----------|
| 120-277V | >80 | 17W | 2100 | 220° | 124 lm/W | >0.9 | 20% |

RATED LIFE

| | |
|--------------------|--------|
| L70 (Hours) | 50,000 |
|--------------------|--------|

POLAR CANDELA DISTRIBUTION



Located at
Horizontal Angle=0, Vertical Angle=0

Beam Angle: 220°

Visible Light Area: 325°

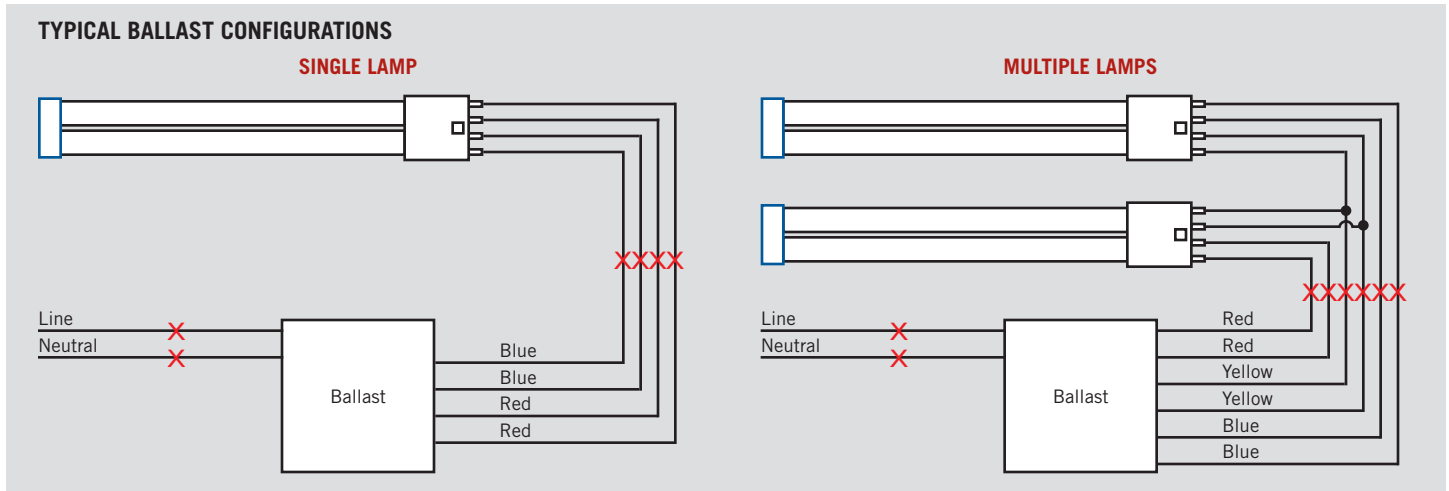
- 1 Violet Vertical Plane through Horizontal Angles (90-270)
- 2 Green Vertical Plane through Horizontal Angles (0-180)

KT-LED17PLL-22G-835-D

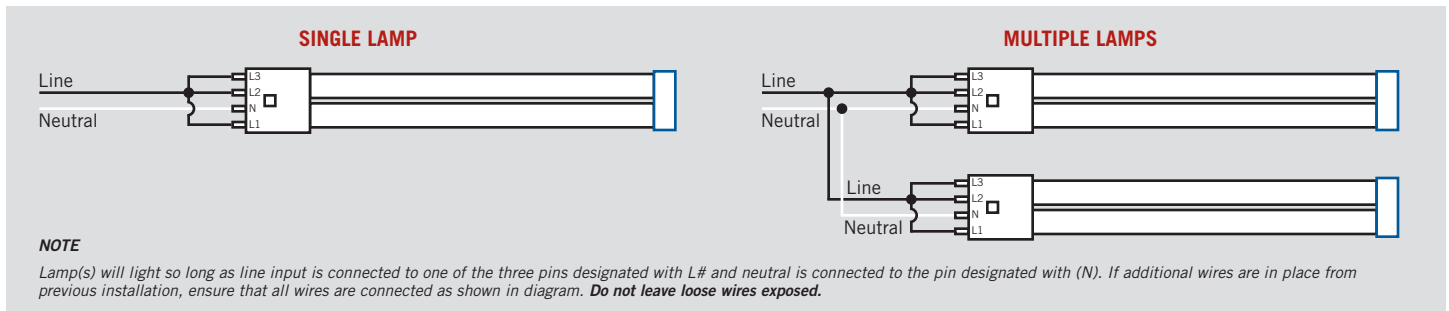
PLL LED LAMP

WIRING DIAGRAMS

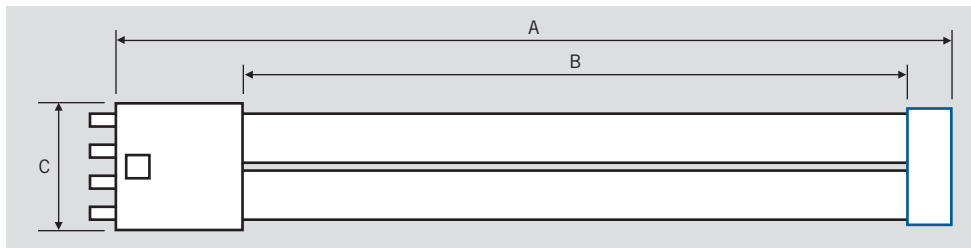
1. Cut all existing connections to ballast as shown below and remove ballast.



2. Re-wire fixture as shown below.



PHYSICAL CHARACTERISTICS



LAMP DIMENSIONS

| | |
|------------------------|--------|
| A (Body Length) | 22.31" |
| B (Illuminated Length) | 19.25" |
| C (Width) | 1.73" |

BASE TYPE: 2G11



DIRECT DRIVE LED
LINE VOLTAGE PLL LAMPS

KT-LED17PLL-22G-835-D

PLL LED LAMP

ORDERING INFORMATION

| ORDER CODE | PACKAGING STYLE | PACK QTY. | ITEM STATUS |
|--------------------------|-----------------------------------|-----------|-------------|
| KT-LED17PLL-22G-835-D-CP | Carton Pack (Egg Crate Packaging) | 12 | Quick Ship |

CATALOG NUMBER BREAKDOWN

KT-LED17PLL-22G-835-D-CP

1 2 3 4 5 6 7 8 9 10

- 1 Keystone Technologies
- 2 LED Lamp
- 3 Wattage
- 4 Lamp Type
- 5 Nominal Length (Inches)
- 6 Glass
- 7 800 Series
- 8 Color Temperature
- 9 Direct-Drive Series
- 10 Packaging Style