



KT-LED36T8-96P-835-D

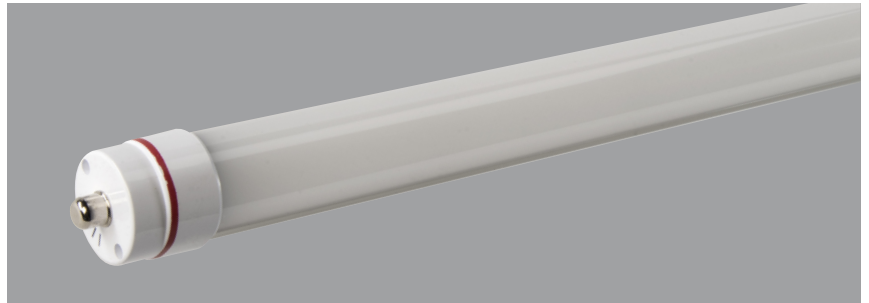
T8 LED LAMP

DESCRIPTION

36W T8 LED | 3500K | >80 CRI | High-Efficiency | 8-Foot



LAMP TYPE: Linear
BULB TYPE: T8 LED
BASE TYPE: Fa8 (Single-Pin)
WATTAGE: 36W
COLOR TEMPERATURE: 3500K
COLOR RENDERING INDEX (CRI): >80
WARRANTY: 5 Years



PRODUCT FEATURES

- Replacement for conventional T8/T12 8-foot single-pin fluorescent lamp
- Double-ended line voltage wiring: Connect power to each end for simplified installation
- Approximately 50% more energy efficient than standard F96T12 lamps
- Environmentally friendly: No mercury used
- Instant startup
- Includes 2 C-clips to be installed with the lamps into the fixture ballast cover to prevent any potential undesired lamp twisting or sagging
- Frosted lens eliminates pixelation
- UL Classified
- Operating temperature: -20°C/-4°F to 55°C/131°F
- Integral driver (Isolated) eliminates the need for external driver or ballast
- 100+ lumens per watt
- 50,000+ hour lifetime
- Plastic lens with aluminum backing

OPERATING SPECIFICATIONS

ELECTRICAL CHARACTERISTICS

Input Voltage	Power Consumption	Power Factor	Input Current
120-277Vac	36W	>0.9	0.30A @ 120V 0.14A @ 277V

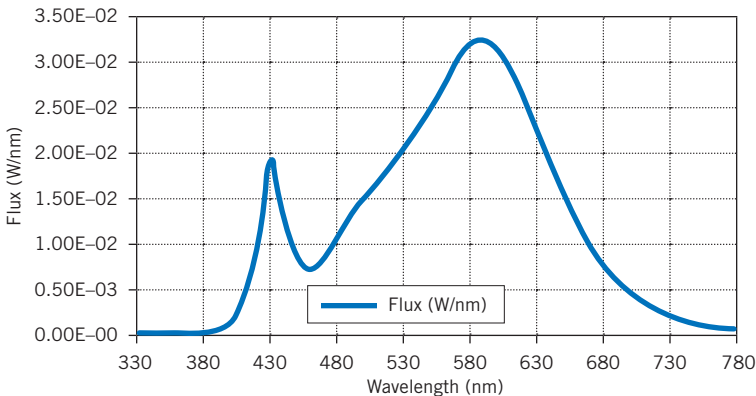
PHOTOMETRIC CHARACTERISTICS

Color Temperature (CCT)	3500K
Luminous Flux	3750 lm
Color Rendering Index (CRI)	>80
Efficacy	104 lm/W
Beam Angle	120°

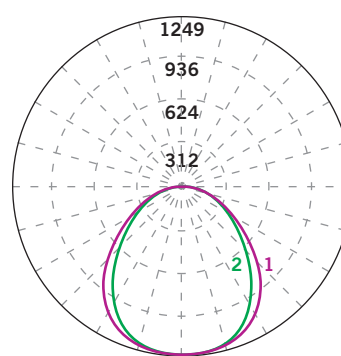
RATED LIFE

L70 (Hours)	50,000
-------------	--------

SPECTRAL DISTRIBUTION



POLAR CANDELA DISTRIBUTION



Located at:
Horizontal Angle = 0
Vertical Angle = 0

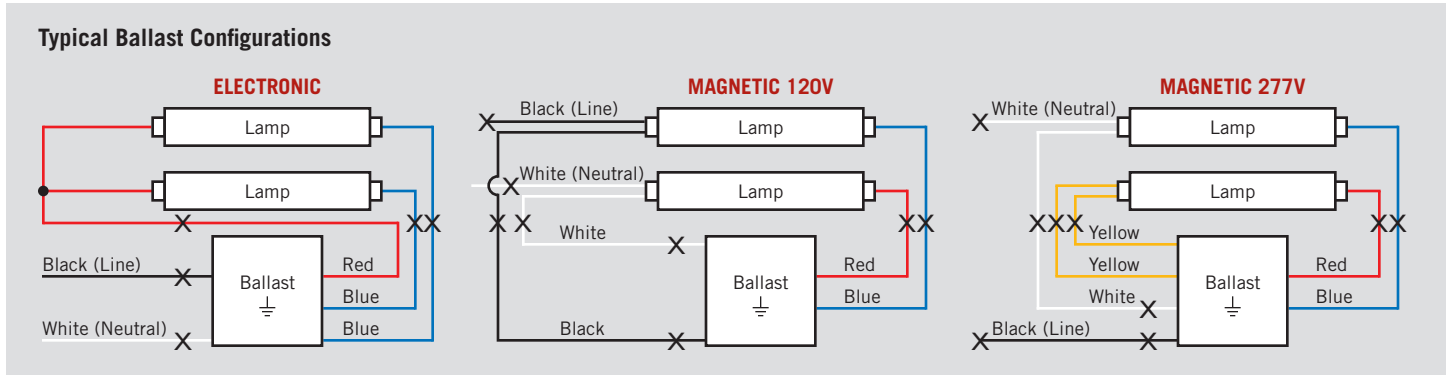
- 1 Violet Vertical Plane through Horizontal Angles (90-270)
- 2 Green Vertical Plane through Horizontal Angles (0-180)

KT-LED36T8-96P-835-D

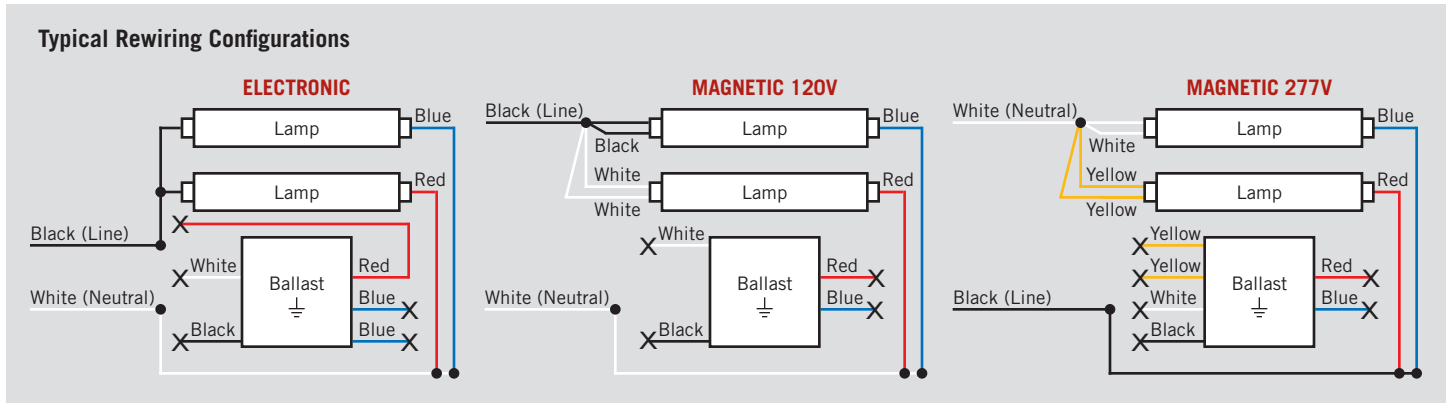
T8 LED LAMP

WIRING INSTRUCTIONS

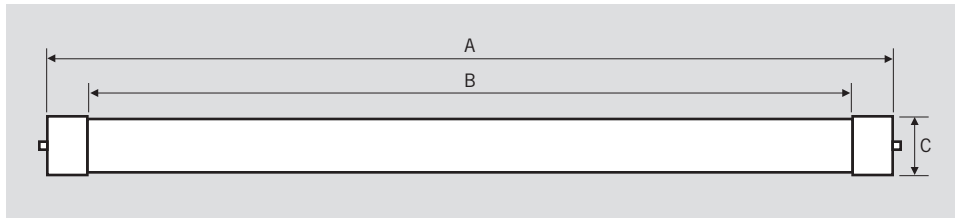
1. Identify ballast configuration as shown below and cut all wires connected to the ballast accordingly.



2. Confirm that the lampholders in the fixture are single-pin Fa8 lampholders. These DirectDrive LED tubes require single-pin Fa8 lampholders.
3. Rewire the fixture using existing lampholders, as shown below, according to the original ballast wiring configuration.



PHYSICAL CHARACTERISTICS



LAMP DIMENSIONS

A (Body Length)	93.31"
B (Illuminated Length)	91.50"
C (Cross-section: Width x Height)	1.08" x 1.31"

NOMINAL LENGTH: 96"

BASE TYPE: Fa8 (Single-Pin)



KT-LED36T8-96P-835-D

T8 LED LAMP

ORDERING INFORMATION

ORDER CODE	PACKAGING STYLE	PACK QTY.	ITEM STATUS
KT-LED36T8-96P-835-D-DP	Distributor Pack (Individual Cartons)	20	Quick Ship

CATALOG NUMBER BREAKDOWN

KT-LED36T8-96P-835-D-DP

1 2 3 4 5 6 7 8 9 10

- 1 Keystone Technologies
- 2 LED Lamp
- 3 Wattage
- 4 Lamp Type
- 5 Nominal Length (Inches)
- 6 Plastic/Aluminum Case
- 7 800 Series
- 8 Color Temperature
- 9 Direct Drive Series
- 10 Packaging Style