



KT-LED70HID-ADJ-EX39-8XX-D

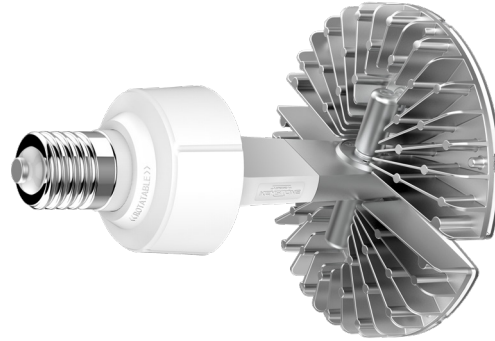
MULTI-ANGLE ADJUSTABLE LAMP

DESCRIPTION

Multi-Angle Adjustable Lamp | Smart Port Sensor Compatible

APPLICATION

Used for low bay/high bay, post top, and wall pack applications



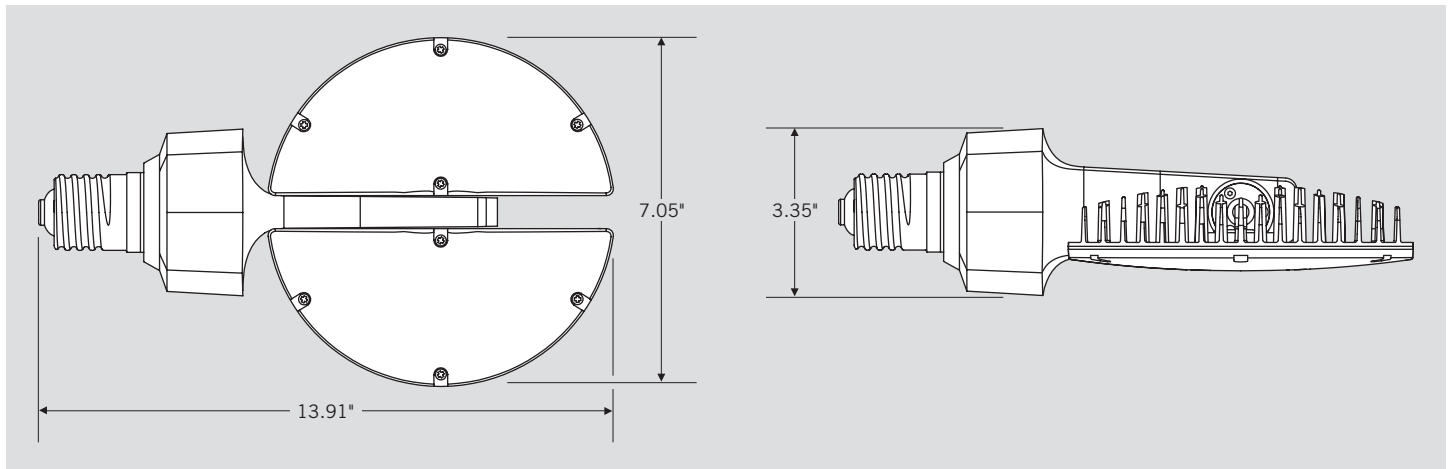
PRODUCT FEATURES

- Replacement for 250W metal halide lamp
- Not for use with standard dimmers; see instructions
- 50,000+ hour lifetime
- Environmentally friendly: No mercury used
- Instant startup
- UL Listed
- Operating Temperature: -30°C/-22°F to 45°C/113°F
- Integral driver, eliminates the need for external driver or ballast; includes 4kV surge protection
- Suitable for use in enclosed fixtures

PERFORMANCE SPECIFICATIONS

Catalog Number	Input Voltage	Wattage	Legacy Equivalent Wattage	Color Temperature	Lumen Output	CRI	Power Factor	Efficacy
KT-LED70HID-ADJ-EX39-830-D	120-277V	70W	250W Metal Halide	3000K	9,800 lm	≥80.0	≥0.9	140 lm/W
KT-LED70HID-ADJ-EX39-840-D	120-277V	70W	250W Metal Halide	4000K	10,290 lm	≥80.0	≥0.9	147 lm/W
KT-LED70HID-ADJ-EX39-850-D	120-277V	70W	250W Metal Halide	5000K	10,500 lm	≥80.0	≥0.9	150 lm/W

PHYSICAL SPECIFICATIONS





KT-LED70HID-ADJ-EX39-8XX-D

MULTI-ANGLE ADJUSTABLE LAMP

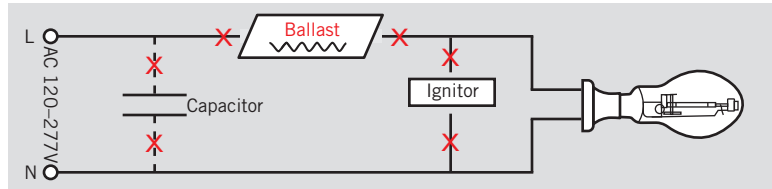
WIRING INSTRUCTIONS

STEP 1

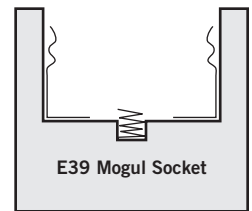
Turn off the power before installation.

STEP 2

Remove the old ballast, capacitor, and ignitor, if applicable.

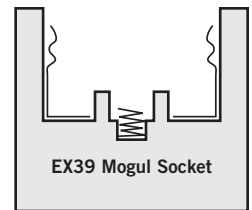
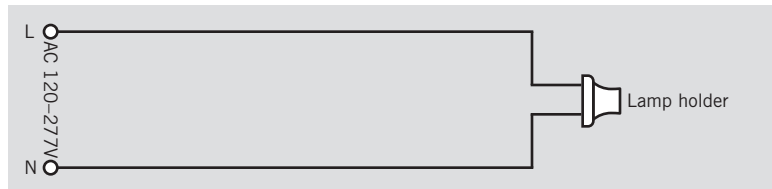


EX39-based lamps will work in *both* **E39** and **EX39** sockets.



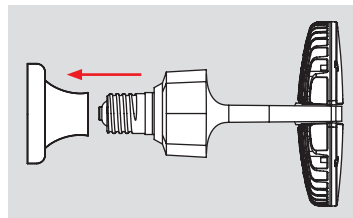
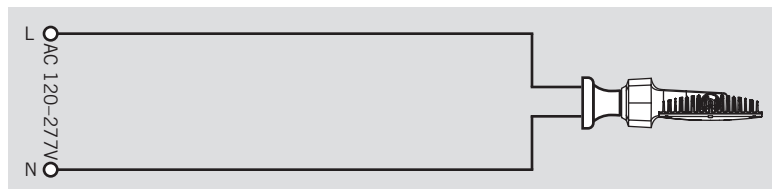
STEP 3

Make sure AC wires connect to EX39 socket directly.



STEP 4

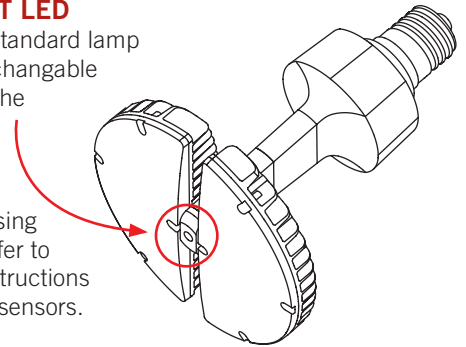
Screw the LED lamp into the corresponding socket.



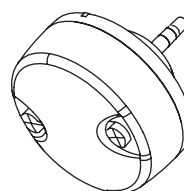
SMART PORT LED

Operate as a standard lamp or insert interchangeable modules into the Smart Port to enhance lamp functionality.

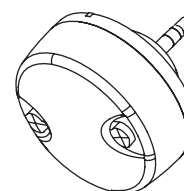
Note: When using Smart Port, refer to installation instructions included with sensors.



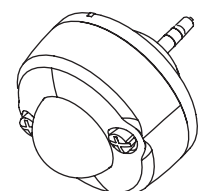
PHOTOCELL



MICROWAVE



PIR



STEP 5

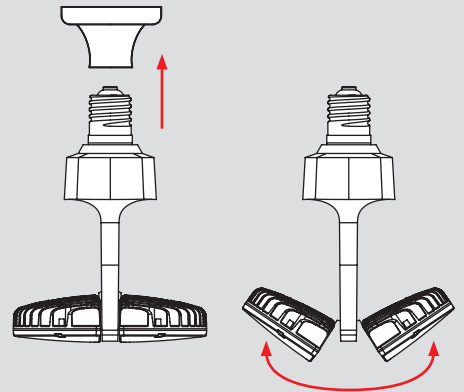
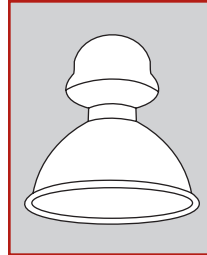
Turn on power to confirm lamp is operating as intended.

KT-LED70HID-ADJ-EX39-8XX-D

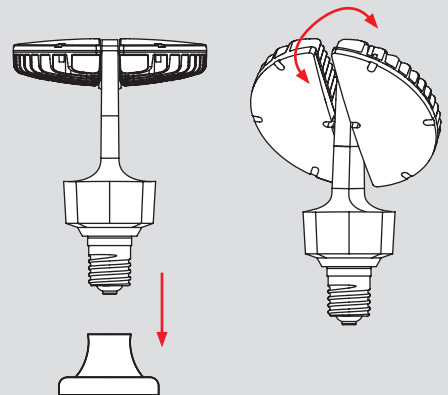
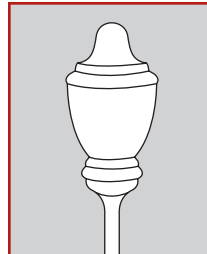
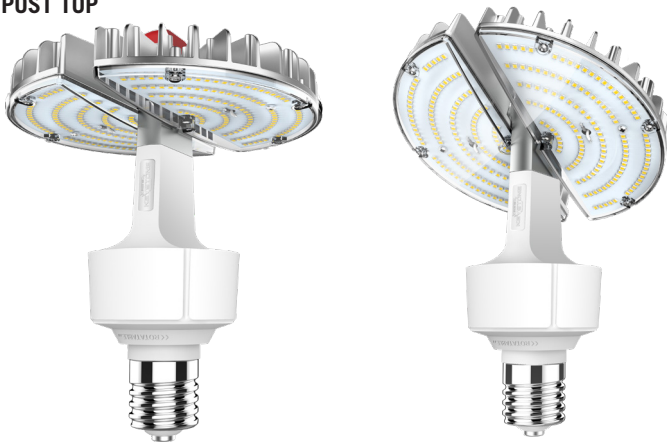
MULTI-ANGLE ADJUSTABLE LAMP

APPLICATIONS

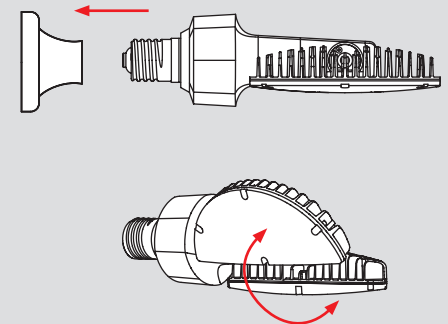
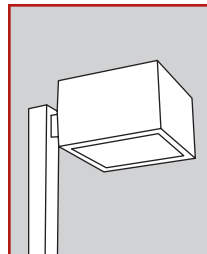
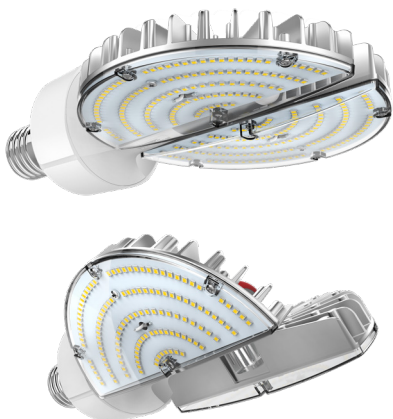
LOW BAY/HIGH BAY



POST TOP



WALL PACK





KT-LED70HID-ADJ-EX39-8XX-D

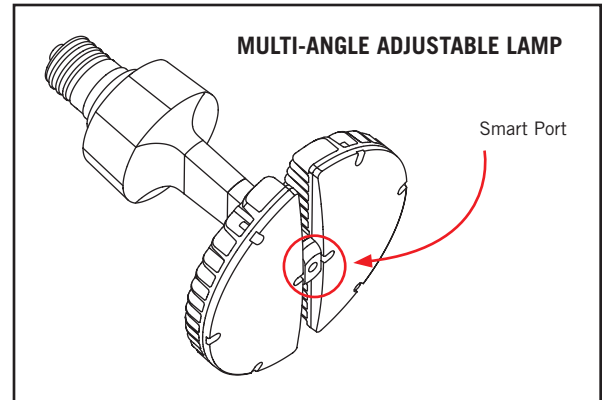
MULTI-ANGLE ADJUSTABLE LAMP

ADAPTER



Adapter included with Multi-Angle Adjustable Lamp.

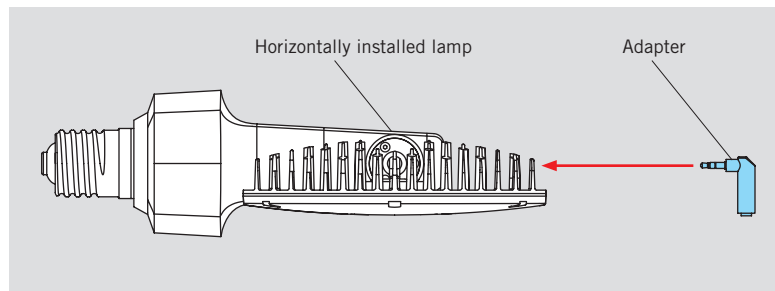
For use with Smart Port LED Sensors when lamp is installed in a horizontal application.



Installation Instructions

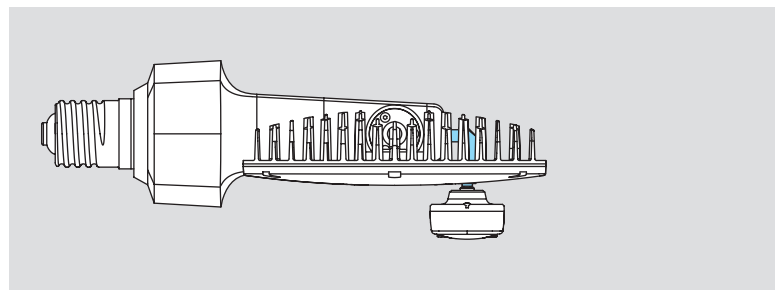
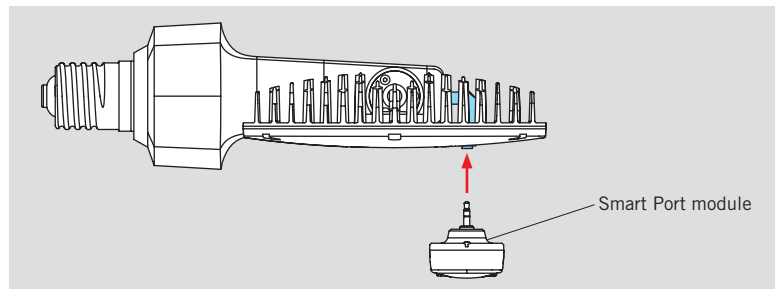
STEP 1

Insert adapter into Smart Port.



STEP 2

Insert Smart Port module into adapter.





KT-LED70HID-ADJ-EX39-8XX-D

MULTI-ANGLE ADJUSTABLE LAMP

ORDERING INFORMATION

Order Code	Pack Quantity	Item Status
KT-LED70HID-ADJ-EX39-830-D	8	Active
KT-LED70HID-ADJ-EX39-840-D	8	Active
KT-LED70HID-ADJ-EX39-850-D	8	Active

CATALOG NUMBER BREAKDOWN

KT-LED70HID-ADJ-EX39-8XX-D

1 2 3 4 5 6 7 8 9

- 1 Keystone Technologies
- 2 LED Lamp
- 3 Wattage
- 4 Lamp Type
- 5 Adjustable Angle
- 6 Base Type
- 7 800 Series
- 8 Color Temperature
- 9 Direct Drive