



# MH-400A-480-KIT

## 400W METAL HALIDE

### DESCRIPTION

400W Metal Halide



**LAMP TYPE:** 400W MH

**INPUT VOLTAGE:** Single Tap (480)

**CIRCUIT TYPE:** CWA

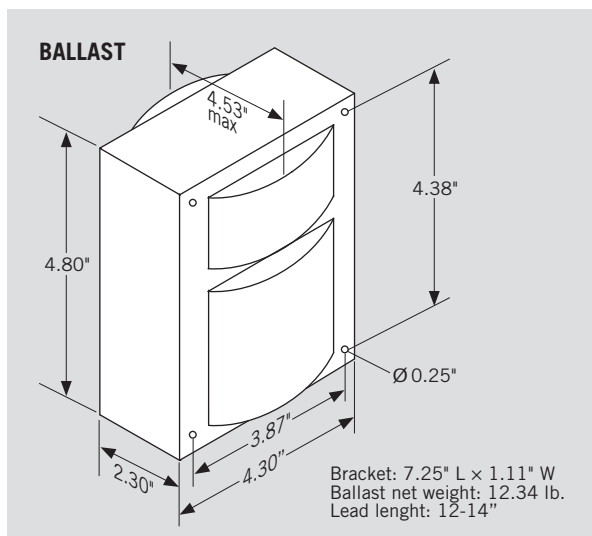
### PRODUCT FEATURES

- ANSI designation: M59 or H33
- Line voltage: 480
- Regulation: 10%
- Frequency: 60 Hz
- Recommended fuse (A): 6
- Circuit type: CWA
- Insulation class: 180°C/356°F
- Capacitor value: 24 MF
- Capacitor voltage rating: 400 V
- Capacitor temperature rating: 90°C/194°F
- Winding materials: Cu/Al
- Lamp starter: N/A
- Agency certification: RU, cRU
- Maximum distance to lamp: N/A
- 2 Year Warranty

### ELECTRICAL CHARACTERISTICS

Line Voltage	Power Factor	Line Current			Input Power	Open Circuit Voltage	Minimum Start Temp	UL Temp Code
		Operating	Open Circuit	Starting				
480V	High	0.99A	1.06A	0.86A	413W	312V	-30°C/-22°F	D

### PHYSICAL SPECIFICATIONS

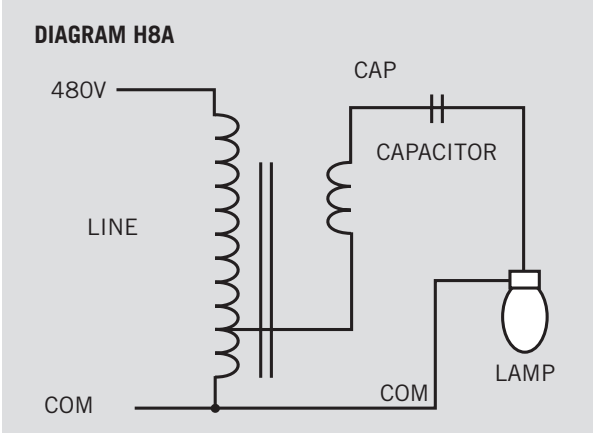




# MH-400A-480-KIT

## 400W METAL HALIDE

**WIRING SPECIFICATIONS**



**ORDERING INFORMATION**

ORDER CODE	PACK QTY.	UPC	EASY CODE
MH-400A-480-KIT	1	TBD	OHW-78

**CATALOG NUMBER BREAKDOWN**

# MH-400A-480-KIT

- 1**
- 2**
- 3**
- 4**
- 5**

- 1** Metal Halide
- 2** Input Power
- 3** CWA Circuit
- 4** 480V, Single Tap
- 5** HID Replacement Kit