

# RH-LED-14-200-8XX-P

## ROUND LED HIGH BAY FIXTURE



200W, 120–277V Input, 0–10V Dimming



### PRODUCT FEATURES

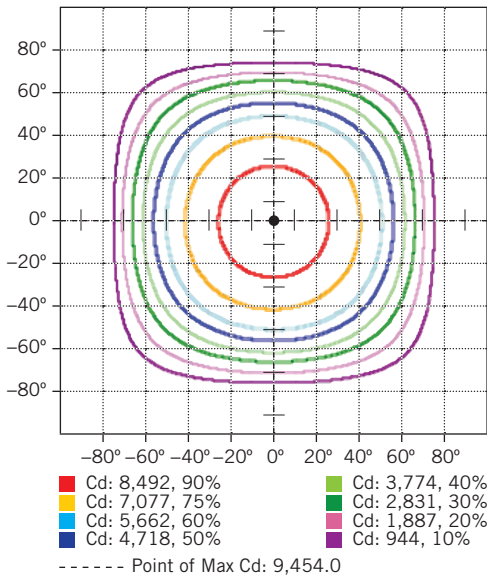
- IP65 rated, wet location
- Powered by Keystone 0–10V dimming LED driver
- Ambient operating temperature: –40°C/–40°F to 45°C/113°F
- LED lifetime: L70 >100,000 hours @ 25°C fixture ambient
- Ring bolt mounting accessory included with safety hanging kit
- 0–10V dimming, 10% minimum
- THD: <20%
- 6' cord for input and dimming wires
- Low optical flicker
- Built-in 4kV surge protection
- Powder-coated aluminum housing; Polycarbonate lens

### PERFORMANCE SPECIFICATIONS

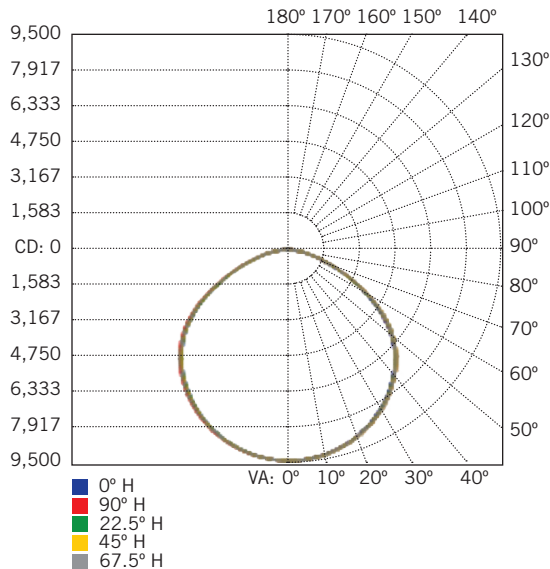
Catalog Number	Input Voltage	Wattage	Color Temperature	Lumen Output	CRI	Power Factor	Efficacy	Beam Angle
RH-LED-14-200-840-P	120–277V	200W	4000K	26,100 lm	>82.0	>0.92	131 lm/W	110°
RH-LED-14-200-850-P	120–277V	200W	5000K	26,600 lm	>82.0	>0.92	133 lm/W	110°

### PHOTOMETRIC SPECIFICATIONS

#### ISOCANDELA PLOT



#### POLAR CANDELA DISTRIBUTION



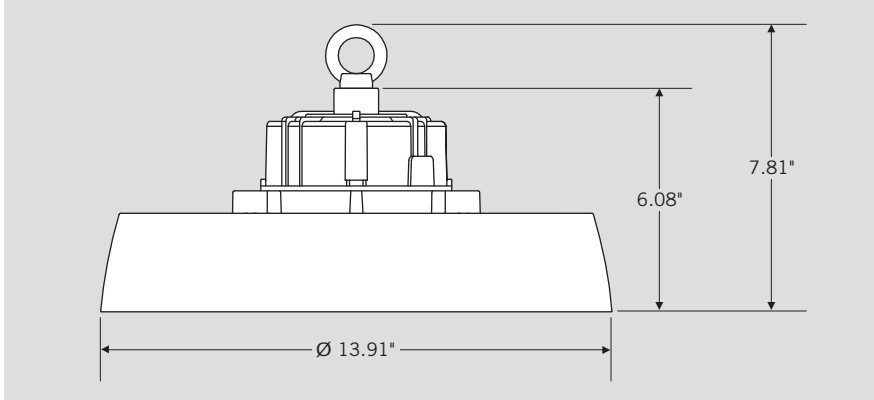
#### ZONAL LUMEN SUMMARY

Zone	Lumens	% Luminaire
0–30	7,436.2	28.0%
0–40	12,277.3	46.2%
0–60	21,905.8	82.4%
60–90	4,594.2	17.3%
70–100	1,401.9	5.3%
90–120	26.1	0.1%
0–90	26,500.0	99.7%
90–180	85.4	0.3%
0–180	26,585.4	100%

# RH-LED-14-200-8XX-P

## ROUND LED HIGH BAY FIXTURE

### PHYSICAL SPECIFICATIONS



### ACCESSORIES (SOLD SEPARATELY)

Catalog Number	Description
KT-RHLED-AR90-3	Aluminum Dome Reflector for 200W, 90° beam angle
KT-RHLED-JBOX-PM	J-Box optimized for pole pendant application
KT-RHLED-SM-3-KIT	Steel Surface Mount Kit; includes mounting hardware
KT-RHLED-WG-3-KIT	Thick steel wire; premium black powdercoat construction; includes mounting hardware