



KTAT-250-480-277 /SF

STEP-DOWN AUTO-TRANSFORMER



DESCRIPTION

Step-Down Auto-Transformer (Non-Isolated) | 480Vac or 347Vac Input | 277Vac or 200Vac Output

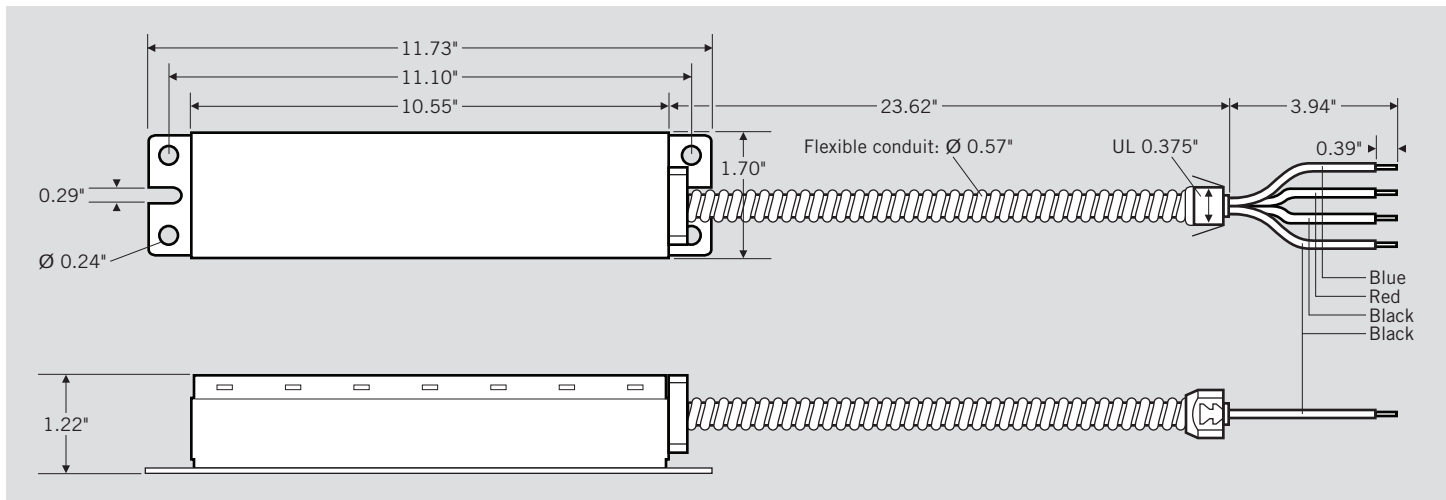
INPUT VOLTAGE: 480Vac ±10% / 347Vac ±10%
OUTPUT VOLTAGE: 277Vac @ 480Vac / 200Vac @ 347Vac
MAXIMUM POWER: 250VA @ 480Vac / 180VA @ 347Vac
NUMBER OF OUTPUTS: One
SAFETY STANDARD: UL 5085
LOCATION: IP20 for dry and damp locations
WARRANTY: 5 Years



ELECTRICAL SPECIFICATIONS

Input Voltage Range	480Vac ±10% / 347Vac ±10%
Frequency	60 Hz
Max. Input Current	0.57A @480V with 100% load condition/0.16A @480V with open load condition
Efficiency	93% typical
No Load Power Consumption	<7W
Withstand Voltage	Input to output, 2,000Vac, 10mA
Sound Rated	A
Protection	Thermally protected
UL/cUL	UL 5085 listed
Maximum Case Temperature	105°C/221°F

PHYSICAL SPECIFICATIONS





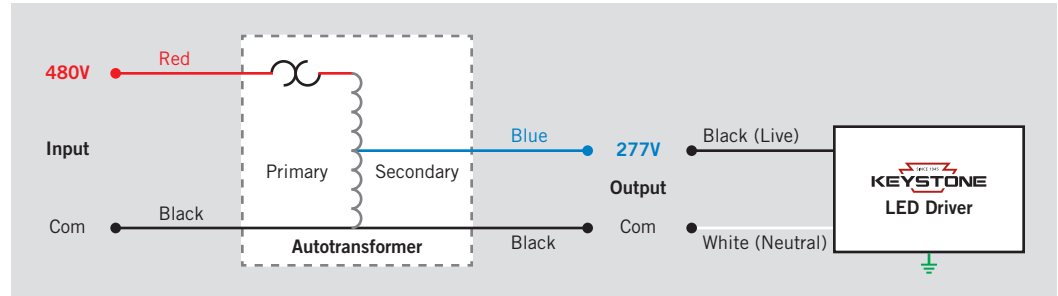
KTAT-250-480-277 /SF

STEP-DOWN AUTO-TRANSFORMER

WIRING SPECIFICATIONS

Input	Red, Black: 14", UL 1316 #14AWG
Output	Black, Blue: 14", UL 1316 #14AWG

WIRING DIAGRAM



Notes:

Wiring for 3-phase Wye (or star) power supply: connect any two phase wires to autotransformer input.

Wiring for 3-phase Delta power supply with proper grounding: connect 480V and ground reference legs to autotransformer input.

PACKAGING

2.42 lbs/unit; 8 pcs/carton; 480 pcs/pallet	
Box/Carton Size	17.32" × 3.94" × 1.57" / 17.72" × 8.27" × 7.08"
Carton Weight	18.96 lbs
Case Material	Metal

ORDERING INFORMATION

ORDER CODE	PACKAGING STYLE	PACK QUANTITY	ITEM STATUS
KTAT-250-480-277 /SF-IP	Individual Pack	8	Quick Ship

CATALOG NUMBER BREAKDOWN

KTAT-250-480-277 /SF-IP

1

2

3

4

5

6

- 1 Keystone Technologies Auto-Transformer
- 2 Max. Power (VA)
- 3 Input Voltage
- 4 Output Voltage
- 5 Single-Flex
- 6 Packaging Style