



SMART CURRENT  
**FLEX**

# KTLD-20-UV-P700-40-CDIM-MC3

## CONSTANT CURRENT PROGRAMMABLE LED DRIVER

### DESCRIPTION

LED Driver | 20W | 120-277V Input | 70-700mA Programmable Output Current

Class P **10 YEAR LIMITED WARRANTY**

<b>TOTAL POWER:</b> 20W	<b>OUTPUT CURRENT:</b> 70-700mA
<b>INPUT VOLTAGE:</b> 120-277Vac ±10%	<b>DIMMING:</b> 0-10V, Reverse & Forward Phase
<b>INPUT FREQUENCY:</b> 50/60 Hz	<b>WARRANTY:</b> 10 Year Limited



### PRODUCT FEATURES

- Micro Case Form Factor, Metal Casing
- 0-10V Dimming, Compliant with ANSI C137.1
- Reverse & Forward Phase Dimmable (120V Only)
- True 1% Dimming over full Output Current Range
- Programmable Output in 1mA Increments
- Programmable Settings via Keystone Programming Kit
- Flicker Free, T24: JA8 & IEE1789 Compliant
- For Indoor Applications
- Class A Sound Rating
- UL Damp Rated

### PROGRAMMING FEATURES

- Output Current Set Range: 70-700mA
- Minimum Output Current: 0.7 mA
- Minimum Dimming Level (1-10%, 0.5% Increments)
- Dimming Curve (Linear, Log, Square)
- Dim to Off (Enable/Disable)
- Thermal Foldback Temperature Selection

**WHAT'S NEEDED?** The Programmable LED Driver, the Programming Kit, the Connection Cable, and a computer.



**PROGRAMMING KIT**  
USB Programmer  
KTLD-P-PGMR-1



**Programming Cable**  
KTLD-P-USB-AUX

### ELECTRICAL SPECIFICATIONS

<b>Input Voltage Range</b>	120-277Vac ±10%
<b>Frequency</b>	50/60 Hz
<b>Power Factor</b>	>0.90 at 20-100% Load (Vin @ 120Vac), >0.90 at 50-100% Load (Vin @ 277Vac)
<b>Inrush Current</b>	8.0 A <sub>peak</sub> , i <sup>2</sup> t = 0.017 A <sup>2</sup> s @ 120V, 15.8 A <sub>peak</sub> , i <sup>2</sup> t = 0.052 A <sup>2</sup> s @ 277V
<b>Max. Input Current</b>	<0.23A (Vin @ 120 Vac), <0.21A (Vin @ 277 Vac)
<b>THD</b>	<20% at 40-100% Load, Vin @ 120-277Vac
<b>Load Regulation</b>	±5%
<b>Line Regulation</b>	± 1%
<b>Output Tolerance</b>	± 5% at Full Load Condition
<b>Turn-On Delay Time</b>	<0.5 seconds, Cold Start
<b>Overshoot</b>	<10% at Full Load Condition
<b>No Load Power Consumption</b>	<0.5W
<b>Ripple and Noise (pk-pk)</b>	<10%
<b>Withstand Voltage</b>	Input to output, 2,800Vdc, 2mA
<b>Leakage Current</b>	<0.75mA, Vin @ 277VAC, 60Hz
<b>Protection</b>	<ul style="list-style-type: none"> <li>• <b>Over Voltage Protection:</b> Hiccup mode. Protection will trigger when load voltage exceed specified output voltage and will auto recover after the fault mode is removed.</li> <li>• <b>Over Current Protection:</b> Hiccup mode. Protection will trigger when load current exceed specified output current and will auto recover after the fault mode is removed.</li> <li>• <b>Short Circuit Protection:</b> Hiccup mode. Protection will trigger when short circuit and will auto recover after the fault mode is removed.</li> <li>• <b>Over Temperature Protection:</b> Protection will trigger when driver overheat and auto-recovery when cooled down.</li> </ul>
<b>Surge Rating</b>	2.5 kV Ring Wave, 2 kV Combination Wave
<b>Dimming Sink Current</b>	200uA

# KTLD-20-UV-P700-40-CDIM-MC3

## CONSTANT CURRENT PROGRAMMABLE LED DRIVER

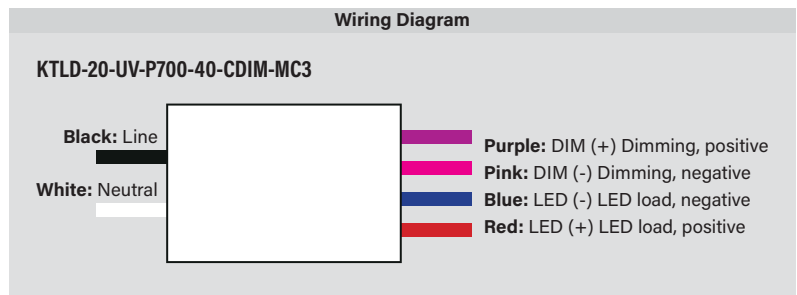
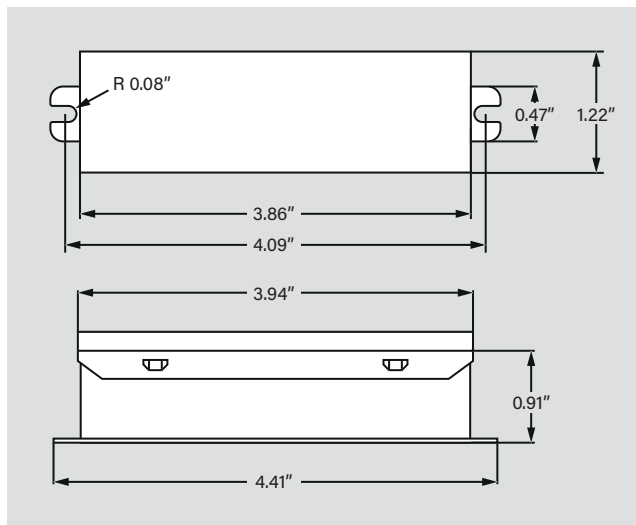
### PRODUCT SPECIFICATIONS

Max. Output Power	Output Current	Output Voltage	OCV	Typical Efficiency at 120V	Typical Efficiency at 277V	Remote Mounting Distance (#18 AWG)	Class 2	
							US	Canada
20W	70-700mA	10-40V	60V	88% @ 700mA, 50V	90% @ 700mA, 50V	24 ft.	✓	✓

### WIRING SPECIFICATIONS

<b>INPUT</b>	8", UL 1430 #18AWG (Black and White)
<b>OUTPUT</b>	8", UL 1430 #18AWG (Red and Blue)
<b>DIMMING</b>	8", UL 1430 #22AWG (Purple and Pink)

### PHYSICAL SPECIFICATIONS



### ENVIRONMENTAL SPECIFICATIONS

<b>Operating Temperature</b>	-25°C/-13°F to 50°C/122°F
<b>Storage Temperature</b>	-40°C/-40°F to 85°C/185°F
<b>Humidity</b>	10% to 90% RH
<b>MTBF</b>	>200,000 Hours, Full Load at 25°C/77°F Ambient Temperature
<b>Life Rating</b>	>50,000 Hours, Full Load at 85°C/185°F Case Temperature
<b>Maximum Case Temperature</b>	90°C/194°F
<b>Maximum Case Temperature (tc) for 5-Year Warranty</b>	85°C/185°F

### SAFETY AND EMC COMPLIANCE

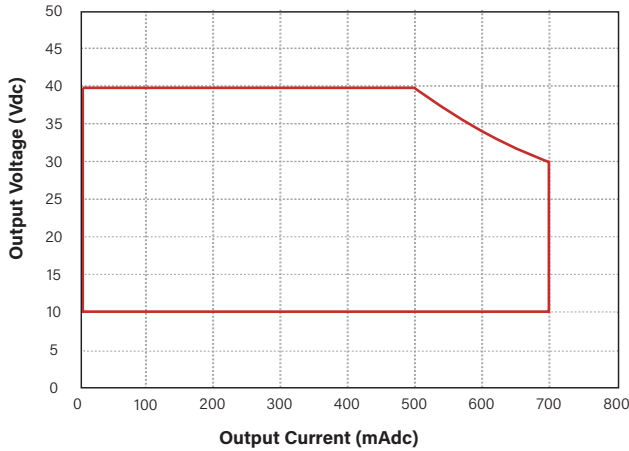
<b>UL/cUL</b>	UL 8750 Class P CAN/CSA-C22.2 No. 250.13
<b>CE</b>	EN61347-1, EN61347-2-13
<b>FCC, 47CFR Part 15</b>	ANSI C63.4: 2009 - Class B (120Vac Input), Class A (277Vac Input)
<b>EN61000-3-2</b>	Harmonic Current Emissions Class C



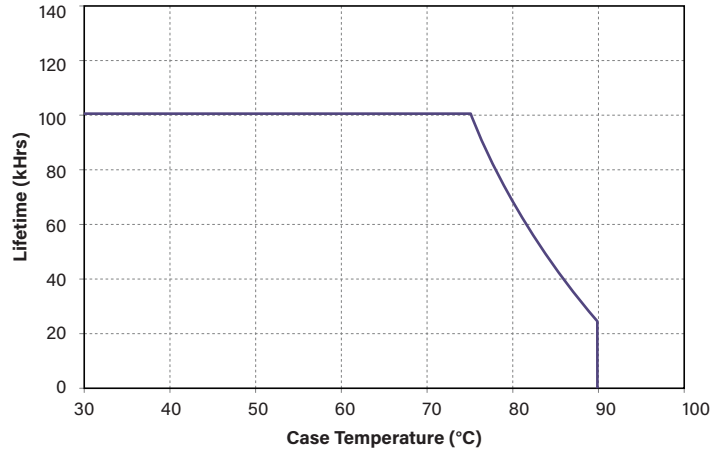
# KTLD-20-UV-P700-40-CDIM-MC3

## CONSTANT CURRENT PROGRAMMABLE LED DRIVER

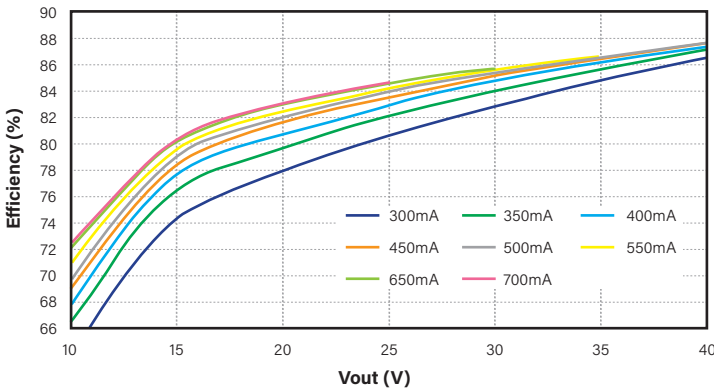
### LED DRIVER OUTPUT WINDOW



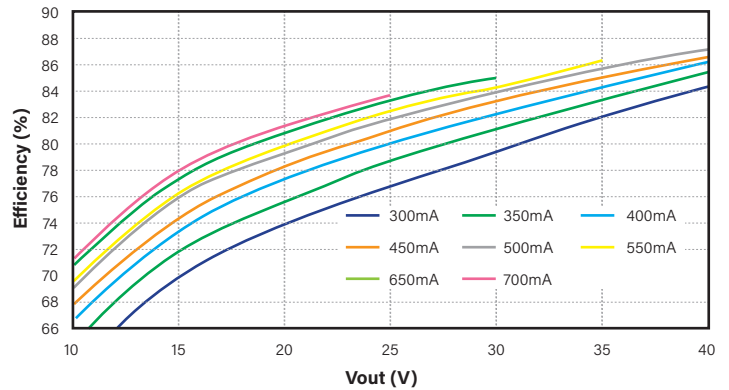
### LIFETIME VS CASE TEMPERATURE



### EFFICIENCY (120V)



### EFFICIENCY (277V)



### ORDERING INFORMATION

Order Code	Packaging Style	Pack Quantity	Item Status	UPC	EASY CODE
KTLD-20-UV-P700-40-CDIM-MC3	Carton Pack	80	Quick Ship	843654169415	UQB-89

### CATALOG NUMBER BREAKDOWN

# KTLD-20-UV-P700-40-CDIM-MC3

1 2 3 4 5 6 7 8

- 1 Keystone Technologies LED Driver
- 2 Max. Output Wattage
- 3 120-277V Input
- 4 Programmable
- 5 Max. Output Current
- 6 Max. Output Voltage
- 7 Phase & 0-10V Dimming
- 8 Case Style