



KTLD-SC-ADPT-1A

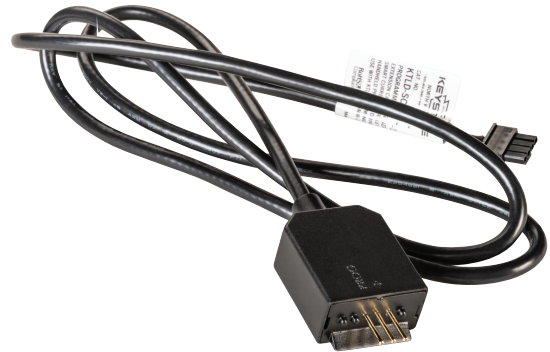
PROGRAMMING ACCESSORIES

DESCRIPTION

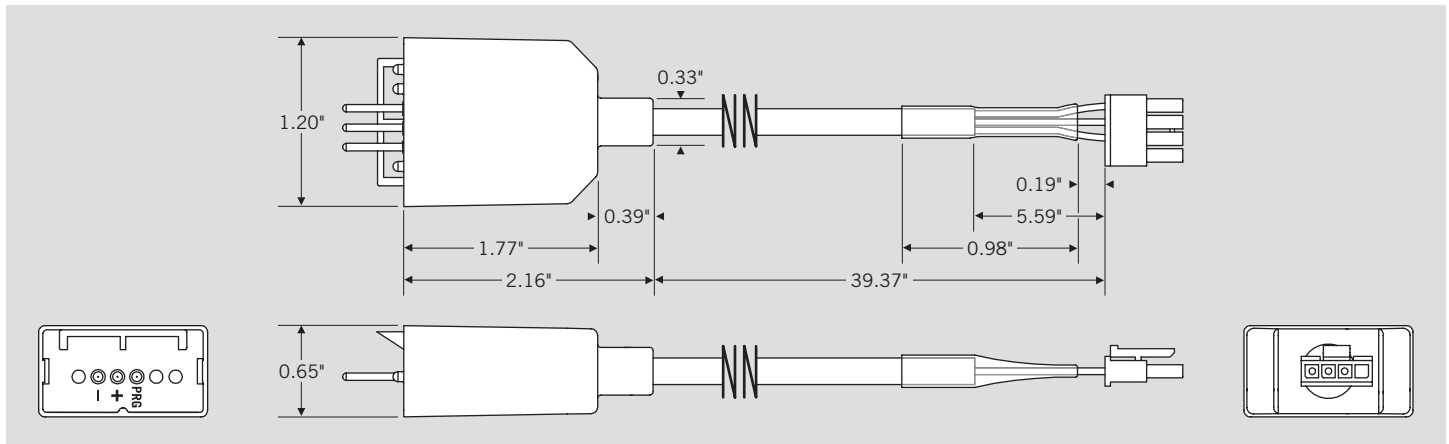
Programming Jig Adapter for Keystone Smart Current LED Driver | Used in Conjunction with KTLD-SC-PGMR-1

APPLICATION

For use with U7 and U4 Case Drivers



PHYSICAL SPECIFICATIONS



CATALOG NUMBER BREAKDOWN

KTLD-SC-ADPT-1A

1 2 3 4 5

- 1 Keystone Technologies LED Driver
- 2 Smart Current
- 3 Adapter
- 4 Works with Programming Jig Revision 1
- 5 Shape/Type