

Features & Benefits

- versaDim RF 2.4GHz Remote Control System compatible
- Easy Pairing and controlling with versaDim RF remote
- Max. 25ft control distance from versaDim RF remote or RF lamp
- Internal Driver
- UL for Safety
- No UV, No Mercury
- Long Life
- High CRI
- Instant on, no delay or warm up time
- Convenient and quick installation
- Utilizes shunted or unshunted G13 sockets
- NSF 2 rated with high performance nano plastic series
- Works in cold temperature applications
- 5 Year Warranty



Commercial Grade **LED T8 Lamp**
Double End Input



FlexTM
Internal Driver **LED Lamp**

Specification Data

Model No.	Length	Base type	Lamp Wattage	Input Voltage	CCT	Initial Lumens	CRI	Beam Angle	LPW	Power Factor	THD	Life (h)
L24T8/830/9P-ID DE RF	24	G13	9	120-277	3000K	1100	80	210	122	0.9	<20%	50000
L24T8/835/9P-ID DE RF	24	G13	9	120-277	3500K	1100	80	210	122	0.9	<20%	50000
L24T8/840/9P-ID DE RF	24	G13	9	120-277	4000K	1150	80	210	127	0.9	<20%	50000
L24T8/850/9P-ID DE RF	24	G13	9	120-277	5000K	1150	80	210	127	0.9	<20%	50000

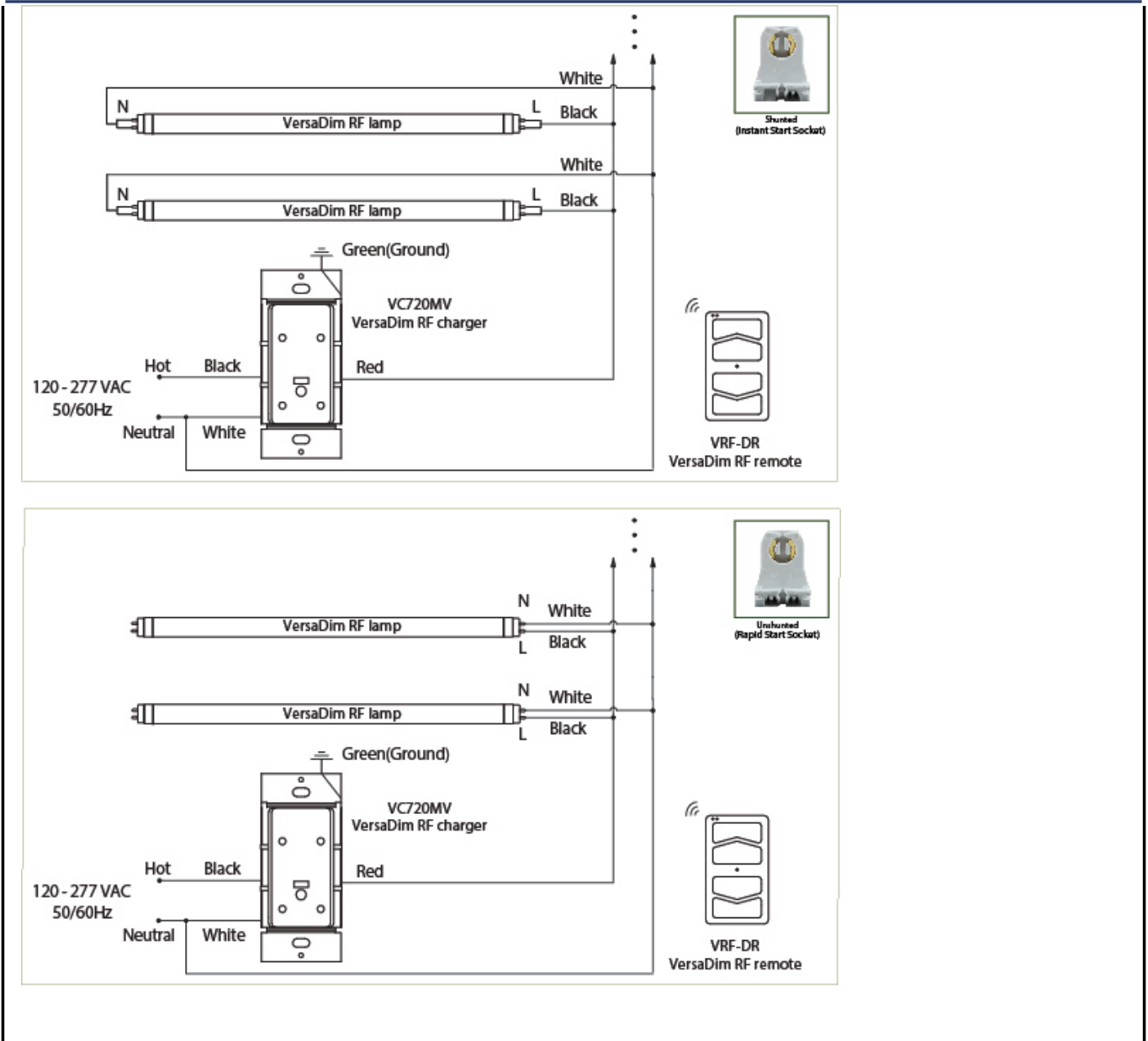
Ordering Information

EXAMPLE: **L48T8/840/12G-ID DE RF**

L	48	T8	8	40	12 G	-	ID	DE	RF
Manufacturer's Code	Normal Length 48=48"	Lamp Shape T8=T8	CRI 8=>80	CCT 50=5000K 40=4000K 35=3500K	Wattage 12G-12W		Internal Driver	Double End Input	versaDim RF Control

Wiring diagram





Espen Technology, Inc. | 12257 Florence Avenue | Santa Fe Springs, CA 90670 | Phone: (562) 529-2938 | Fax: (562) 529-2978
 Toll-free: (866) 933-7736 | Email: info@espentech.com | www.espentech.com