

Wall Mount Barn Yard

MDD03 Dusk To Dawn Light

sales@lightbulbsurplus.com



DESCRIPTION

The MDD03 LED Dusk to Dawn combines optical performance, energy efficiency and versatility to meet the needs of any area. It features a power door for easy maintenance and 3G vibration rated construction. This LED solution provides uniform and energy conscious illumination for municipal streets, commercial and perimeter lighting.



SPECIFICATION FEATURES

Overview

- Initial Delivered Lumens: 3,400~5650lm
- CRI: ≥ 70
- Mounting: Mounts directly to wall surface or to pole with mounting arm (accessory sold separately)
- Replaces up to 175W MH
- CCT: 4000K and 5000K
- Limited Warranty: 5 Years
- Lifespan: Estimated >50,000 Hours

Construction

- Durable, die-cast aluminum housing silver gray polyester powder-coat finish
- Photocell included

Recommended use

- General Area Illumination
- Entryways & Pathways
- Yards & Loading Docks

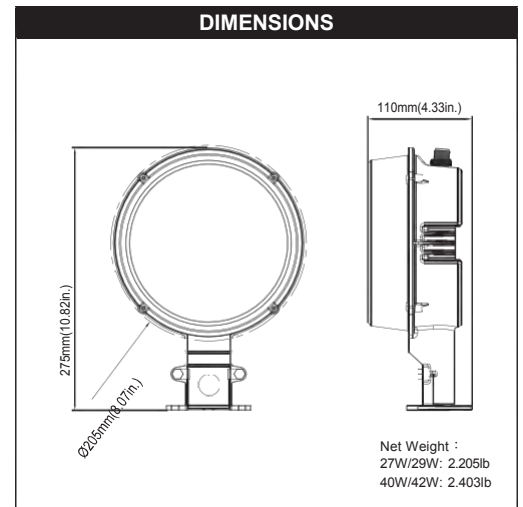
Electrical

- Input Voltage: 120-277V
- Power Factor: ≥ 0.9
- Total Harmonic Distortion: ≤20%
- Operating Temperature Range: -40°C - +45°C (-40°F - +113°F)

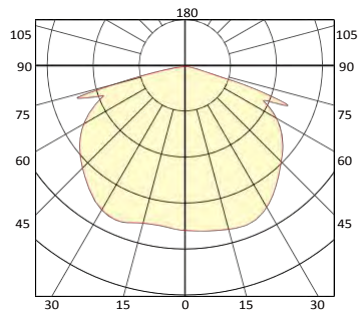
Listing

- Wet location listed
- DLC qualified

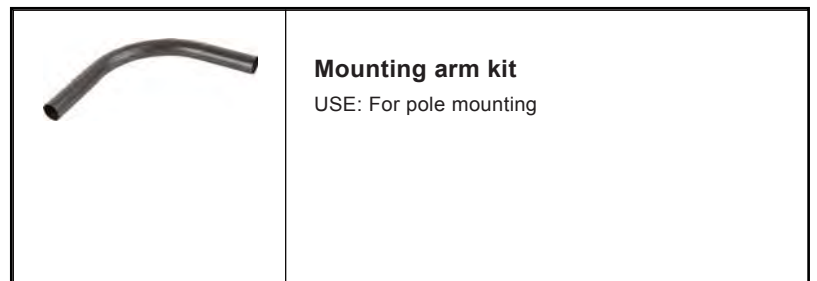
DIMENSIONS



PHOTOMETRICS



ACCESSORIES



PERFORMANCE DATA

Professional

SYSTEM WATTS	VOLTAGE	CRI	LUMENS (4000K)	LPW (4000K)	LUMENS (5000K)	LPW (5000K)
27W	120-277V	70	3800lm	141 lm/W	3850lm	143 lm/W
40W	120-277V	70	5600lm	140 lm/W	5650lm	141 lm/W