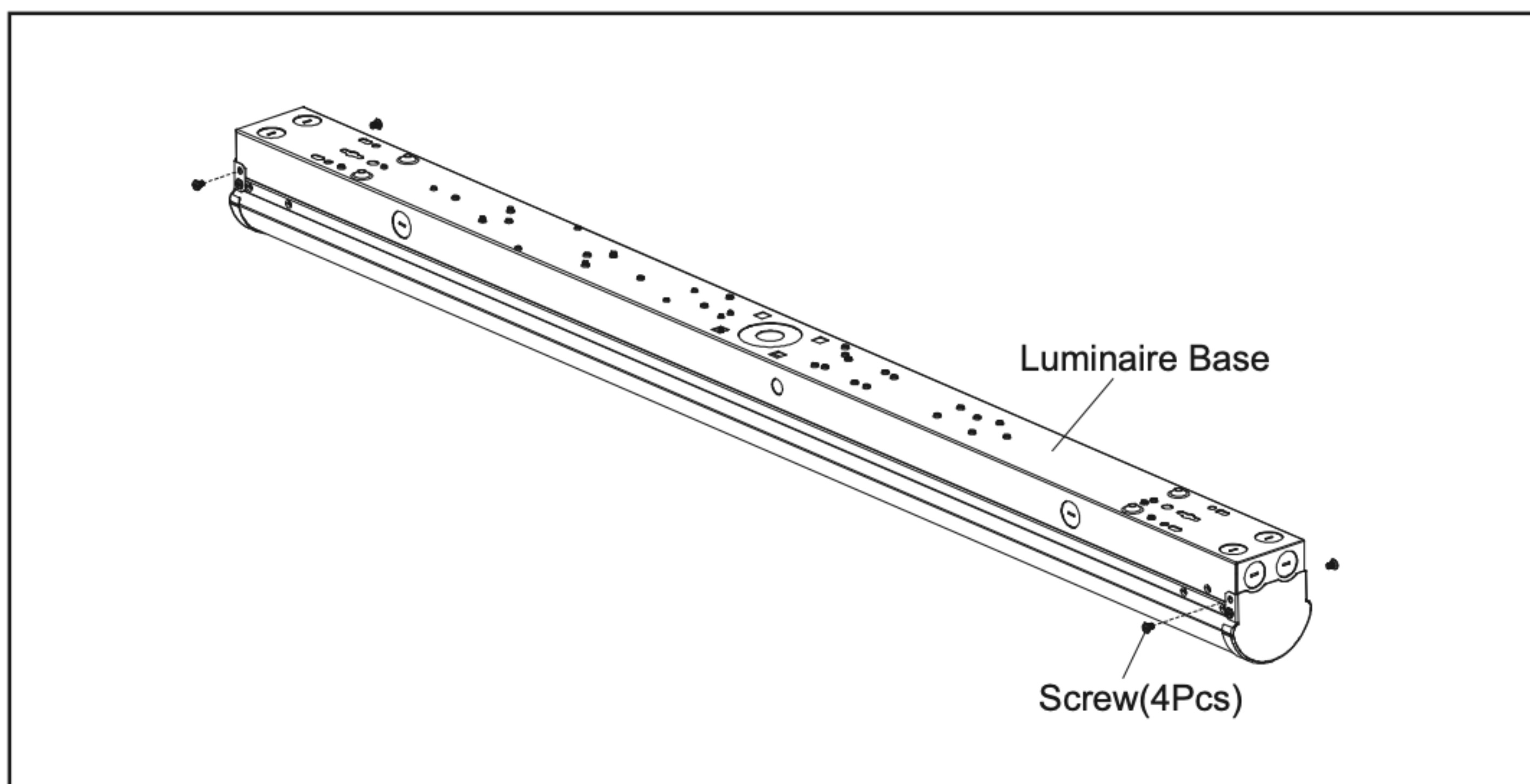


! WARNING

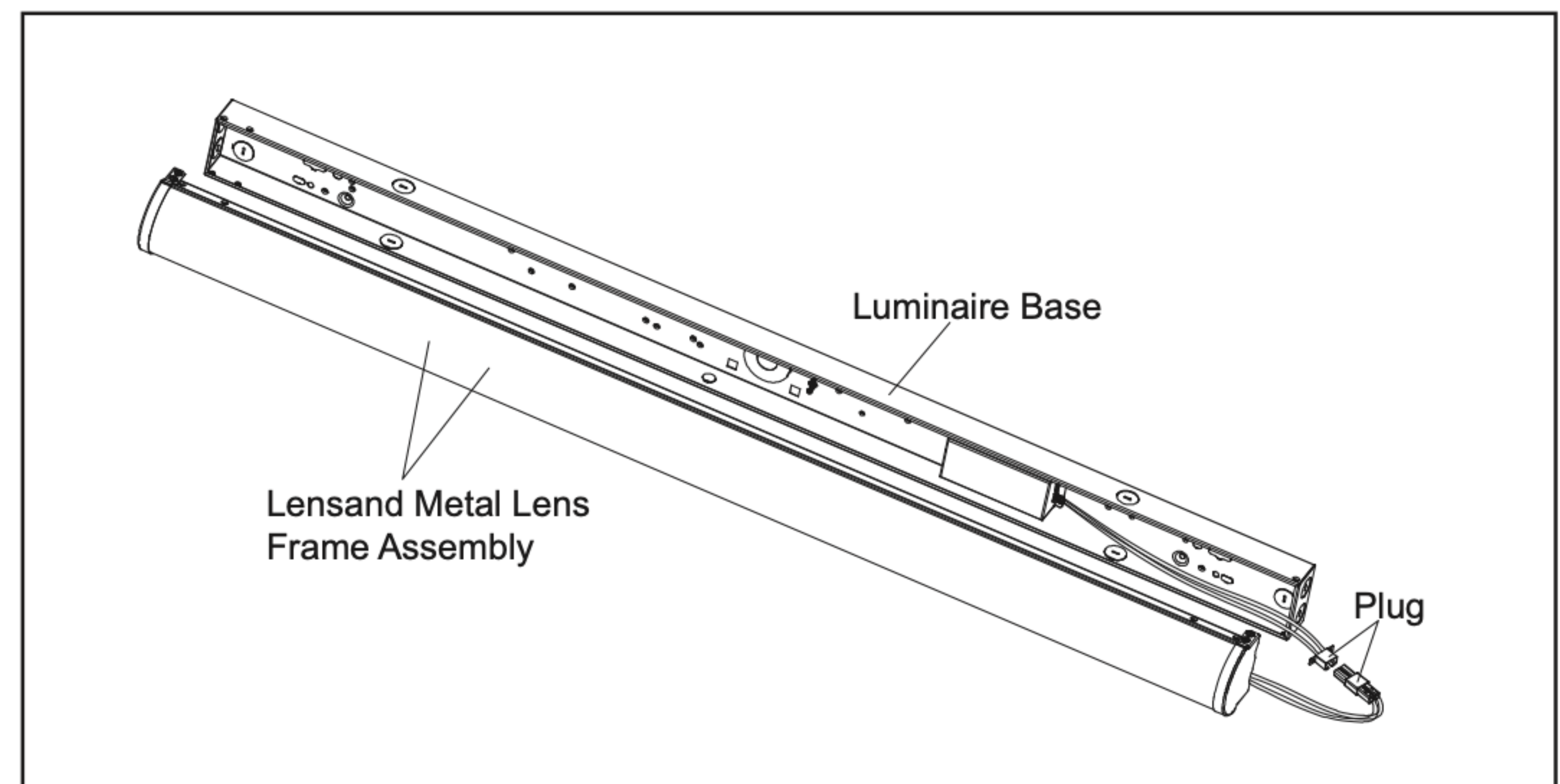
1. Turn power off before inspection, installation or removal.
2. The installation should be performed by qualified electricians or lighting technicians.
3. Before conducting any installation, maintenance, or removal, disable all power to the luminaires and wait until the fixture cool down.
4. Do not touch the fixture while it is in service.
5. If there is any problem with the fixture, DO turn off power and DO NOT attempt repair unless you are a qualified technician or the customer service member.

Installation Guide

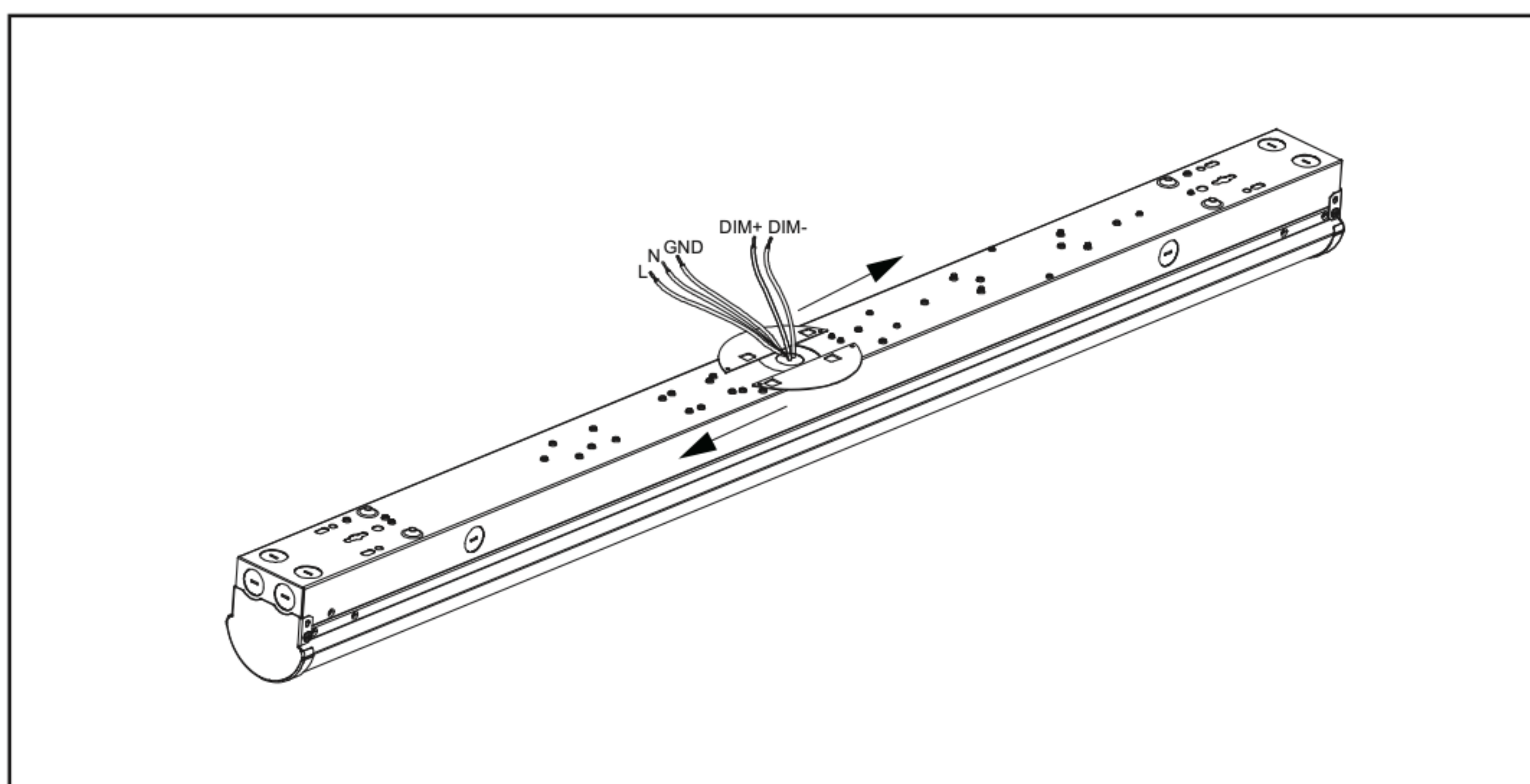
A. Surface mounting



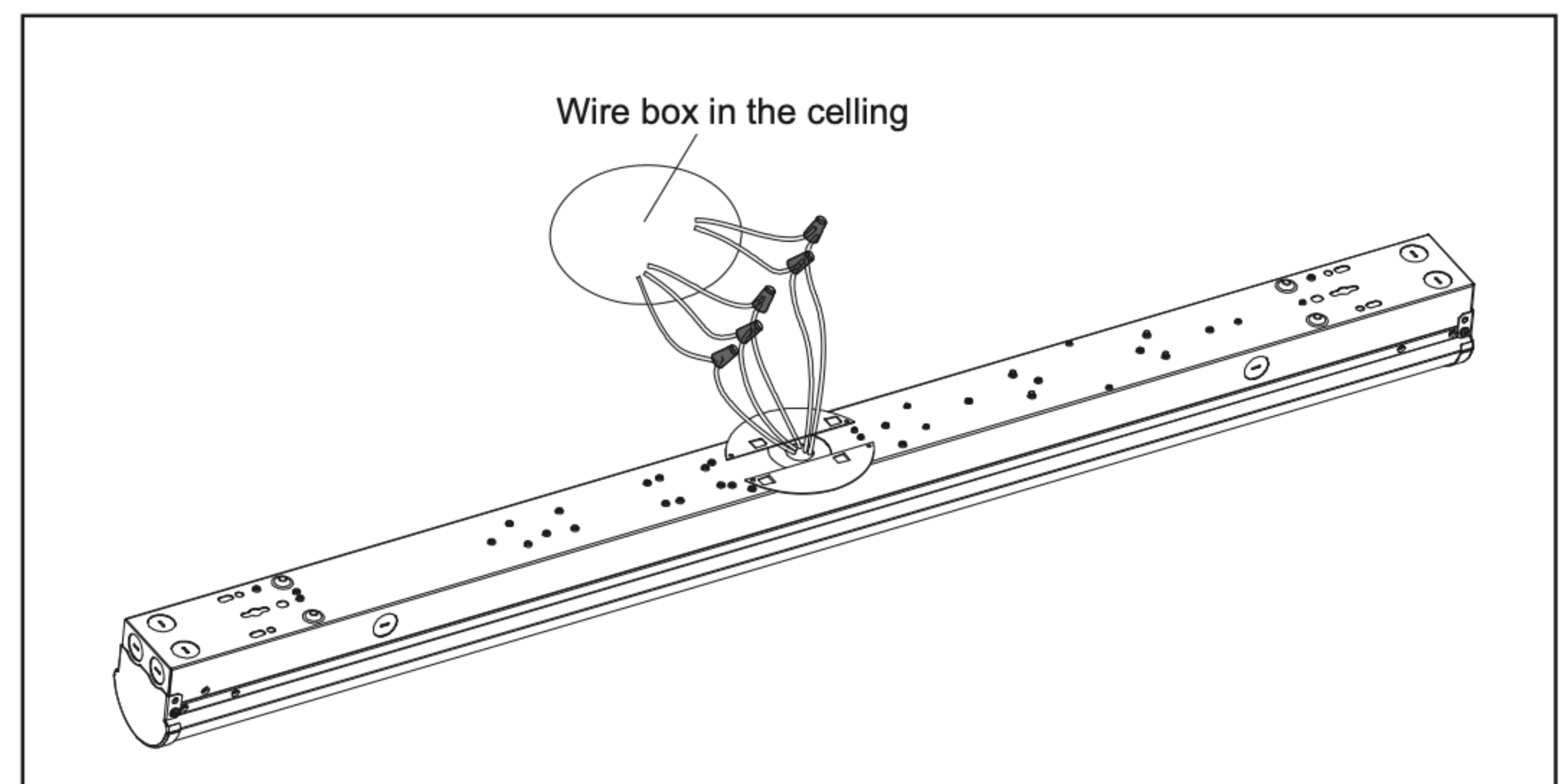
1. Unscrew the 4pcs screws on the back box of the luminaire or the luminaire base.



2. Disconnect the wire plug to start installation.



3. Install and lock the mounting plate on the luminaire base following the arrow.



4. Connect the AC wires and dimming wires.

