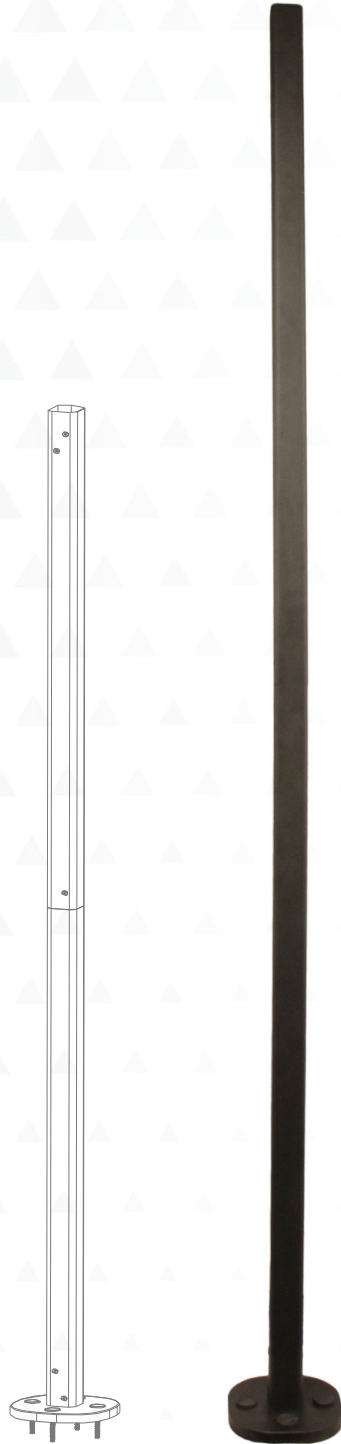


GAMA SONIC[®]

SOLAR LIGHTING



8 FT BLACK MODERN POLE

Part #: MP8F0

Compatible only with part # 217i20001, 217i20012, 66B50001, 66B50002, and 66B50010

 Please read the instruction manual carefully to obtain the best results from your purchase.

Thank you for your purchase! GAMA SONIC® solar charged lights are brighter and last all night with a typical solar charge. Unique design, superior light output and numerous installation options confirm the outstanding value of our product. GAMA SONIC® has been recognized as a worldwide leader in the lighting industry for over 20 years.

Technical Assistance/Warranty Claims/Replacement Parts
Toll Free Number: +1-800-835-4113 (only within the US) or www.gamasonic.com

Visit our website or download the latest version of your instruction manual:
www.gamasonic.com

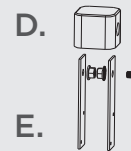


Solar Lamp Location

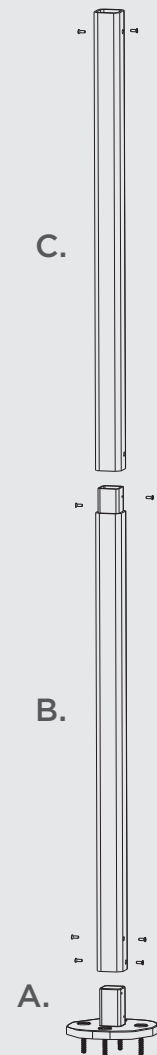
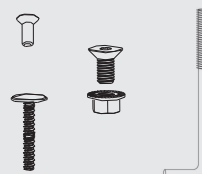
For optimum light duration throughout the night, it is very important to mount your solar lamp in a spot where it will receive the maximum amount of direct sunlight throughout the day.

What's In The Box

- A = Base
- B = Bottom Pole
- C = Top Pole
- D = Aria Cap
- E = Aria Plate



- Concrete Screws
- Screws
- Nut and Bolt
- J-Bolts



Assembly Instructions

Wet Concrete Installation

- Remove the four rubber plugs from the base (A).
- Install the four J bolts to the base making sure to have one nut and washer on the bottom of the base (A) and one washer and nut attached from the top of base (A).
- Place the base (A) into the wet concrete so that the bottom of the base (A) is flush with the concrete so it can be removed later on if needed.
- Allow Concrete to fully cure before moving forward.

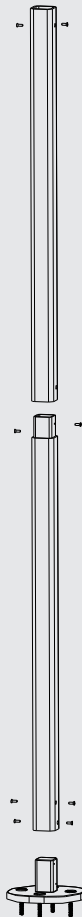
Existing Concrete Installation

- Remove the four rubber plugs from the base pole (A).
- Using the base (A) as a template, mark where the four holes will need to be.
- Drill four 1/4" holes where the marks are.
- Place the base (A) over the holes and secure with the concrete screws.

Remaining Pole Installation

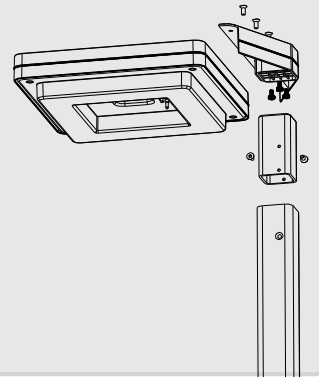
- Place the four rubber plugs in the base (A) to cover up the screws/nuts.
- Place the bottom pole (B) over the base (A) and secure with four screws.
- Place the top pole (C) over the bottom pole (B) and secure with two screws.

NOTE: Make sure to orient the top pole (C) so the opening with the holes closest to the end are used to connect to the bottom pole (B).



217i20001/217i20012 Installation

- Assemble your 217i20012 lamp per the instructions with that product making sure to use the modern pole mount (part C for that item).
- Place the lamp on the pole and secure the lamp to the top pole (C) using two screws.



66B50001/66B50002/66B50010 Installation

- Remove the back plate from the wall bracket of your 66B50010 (part C for that item) by loosening and removing the nut.
- Insert the arm that was removed in the Aria cap (D) and place an Aria plate (E) on the inside of the cap (D).
- Secure with the nut removed from the wall bracket of 66B50010.

- If installing a double head, repeat this step for the other side with another 66B50010.

- If not using a double head, use the supplied bolt and nut to secure the other Aria plate (E) to the Aria cap (D).

- Place the completed assembly of the Aria cap (D) on the top pole (C) making sure the Aria plates (E) are inside the pole.
- Secure with two screws.
- In the event your lamps are facing in the opposite direction than what was intended, you can remove the two screws connecting the top pole (C) to the bottom pole (B) and rotate the pole so the lamps are facing in your intended direction.
- Once this is done, resecure the pole with the two screws.
- Follow the remaining instructions for the 66B50010 to finish assembling the lamps to the brackets.

