

**TF TROFFER (CCT3)**

PROJECT: \_\_\_\_\_

SCHEDULE: \_\_\_\_\_ DATE: \_\_\_\_\_

PREPARE BY: \_\_\_\_\_

NOTES: \_\_\_\_\_

**DESCRIPTION**

naturaLED® Troffer is the perfect solution for your interior lighting needs. This DLC Premium Troffer is available in 2'x2' and 2'x4' dimensions for TBar/Grid ceilings. Available options include Emergency LED Driver and Microwave Motion Sensor. This is a lightweight fixture with a bug-free lens design and produces up to 5,850 lumens with excellent light distribution and color consistency.



**APPLICATIONS**

Conference, Meeting Rooms, Factories, Offices, Schools, Hospitals



**Rated Life Hours 50,000  
Warranty 5 Years**

**FEATURES**

- DLC Standard
- Damp Location
- ETL Listed
- Easy installation for retrofit replacement
- Available in 2' or 4' length
- Material: Steel and PC lens
- Input line Voltage: 120-277V, 120-347V
- Dimmable: 0-10V
- Power Factor: >0.9
- CRI: 80
- Surge Protection: 2KV
- Beam Angle: 115°
- Color Temp: 3CCT (3500K, 4000K, 5000K)
- Operating temperature: - 4°F - 104°F
- Optional for Purchase: Emergency Driver, Motion Sensor, Flange Mount Kit

**ACCESSORIES**

|  |                             |
|--|-----------------------------|
|  | Air Craft Cable             |
|  | Emergency Driver Kit        |
|  | Microwave Motion Sensor Kit |
|  | Flange Mount Kit            |
|  | Surge Protection            |
|  | Bluetooth Adapter           |
|  | Bluetooth Wall Switch       |

**SAMPLE NUMBER FXTF36SW/2X2/8CCT3**

| FAMILY        | SERIES        | WATTAGE       | SELECTABLE                 | LENGTH             | CRI         | COLOR TEMP  |
|---------------|---------------|---------------|----------------------------|--------------------|-------------|---|
| FX<br>Fixture | TF<br>Troffer | 36<br>36 Watt | SW<br>3 Selectable Wattage | 2x2<br>2-ft x 2-ft | 8<br>CRI 80 | CCT3<br>Selectable<br>Color Temp<br>3500K<br>4000K<br>5000K |



ORDERING

| Watts (W) | Ordering Code | Description            | CCT (K) | Lumens (Lm) | Size  | Equiv. Wattage (W) | Voltage  | Damp Location | DLC (S/P) |       |
|-----------|---------------|------------------------|---------|-------------|-------|--------------------|----------|---------------|-----------|-------|
| 20        | 9559          | FXTF36SW/2X2/8CCT3     | 3CCT    | 2,640       | 2'x2' | 60-70W             | 120-277V | •             | S         |       |
| 30        |               |                        |         | (35/40/50K) |       |                    |          |               |           | 4,100 |
| 36        |               |                        |         |             |       |                    |          |               |           | 4,576 |
| 30        | 9560          | FXTF45SW/2X4/8CCT3     | 3CCT    | 3,900       | 2'x4' | 120-130W           | 120-277V | •             | S         |       |
| 40        |               |                        |         | (35/40/50K) |       |                    |          |               |           | 5,700 |
| 45        |               |                        |         |             |       |                    |          |               |           | 6,003 |
| 20        | 9595          | FXTF36SW/2X2/8CCT3/347 | 3CCT    | 2,640       | 2'x2' | 60-70W             | 120-347V | •             | S         |       |
| 30        |               |                        |         | (35/40/50K) |       |                    |          |               |           | 4,100 |
| 36        |               |                        |         |             |       |                    |          |               |           | 4,576 |
| 30        | 9596          | FXTF45SW/2X4/8CCT3/347 | 3CCT    | 3,900       | 2'x4' | 120-130W           | 120-347V | •             | S         |       |
| 40        |               |                        |         | (35/40/50K) |       |                    |          |               |           | 5,700 |
| 45        |               |                        |         |             |       |                    |          |               |           | 6,003 |

ACCESSORIES (Ordered Separately)

Air Craft Cable



P10147 MT-ACC-4FT  
(4-ft cable)

P10144 MT-ACC-10FT  
(10-ft cable)

Flange Mounting Kit



P10228 MT-2x2FMBOX  
(2' x 2' Flange Mount Kit)

P10229 MT-2x4FMBOX  
(2' x 4' Flange Mount Kit)

Microwave Motion Sensor Kit



K234427 FXTFSW/MC605-MT  
(Microwave Motion Sensor with mounting plate)

Emergency Driver Kit



K7336427 FXTFSW-BAEM-MT  
(Emergency Driver with mounting plate)

Surge Protection



P10389 SPD-L-10KV-277  
(Surge Protection 10KV 120-277V)



P10390 SPD-L-20KV-277  
(Surge Protection 20KV 120-277V)

Motion Sensor



P10438 SEN-HB001VCR-1  
(12V Motion Sensor 0-10V)

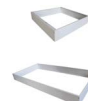
Ceiling Mount Kit (3.0" Height)



P10417 MT-2X2BOX-3.0in  
(2'x2' Panel Surface Mount Kit-3.0"height)

P10418 MT-2X4BOX-3.0in  
(2'x4' Panel Surface Mount Kit-3.0"height)

Ceiling Mount Kit



P10335 MT-2X2BOX-4.5in  
(2'x2' Panel Surface Mount Kit)

P10336 MT-2X4BOX-4.5in  
(2'x4' Panel Surface Mount Kit)

Bluetooth Adapter



P10342 CTL-AVI-IFAC-5A-1CH  
(0-10V Bluetooth Adapter 120-277V)



P10409 CTL-AVI-LVFA-1CH-12-2VDC  
(12-24V Bluetooth Adapter Controller LVFA 1CH)

Bluetooth Wall Switch



P10344 CTL-2402BAT  
(Bluetooth Wall Switch- Battery Version)

P10345 CTL-2401AC  
(Bluetooth Wall Switch- AC Version)

Power Supply



P10347 CTL-AVI-PS-277-12-250  
(120-277V to 12V Power Supply (no relay))

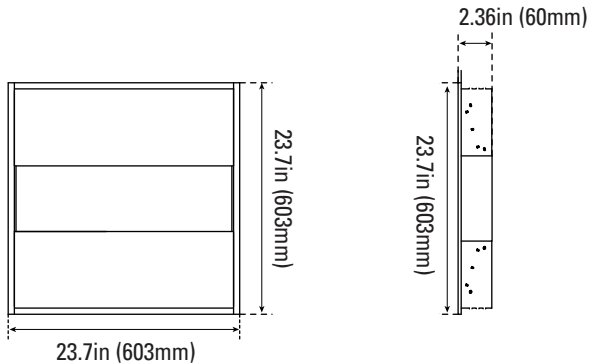
Bluetooth Sensor



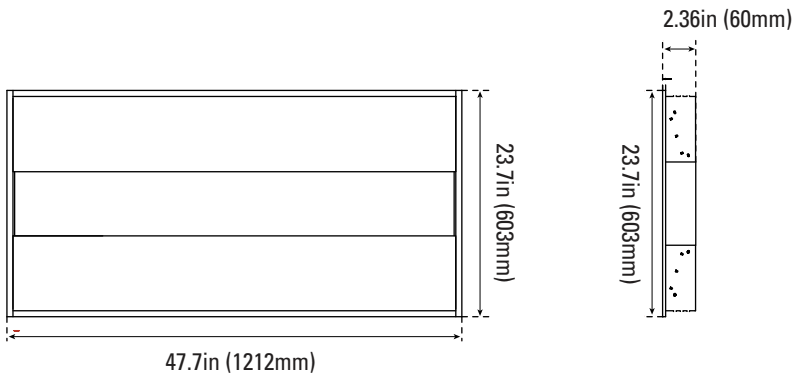
P10373 CTL-AVI-SEN-ICM-24-BLE  
(12V Ceiling Mount Bluetooth Sensor)

**DIMENSIONS**

**2'x2' - 36 Watt**  
8.00-lbs



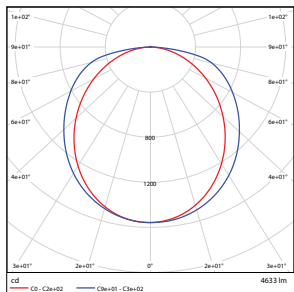
**2'x4' - 45 Watt**  
15.00-lbs



**PHOTOMETRICS CHART**

**PACKAGE**

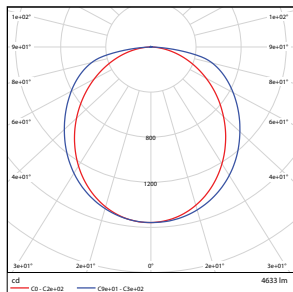
**36 Watt**  
DLC Standard



|       | Center Beam fc | Beam Width      |
|-------|----------------|-----------------|
| 3.2R  | 143 fc         | 8.3 ft 13.2 ft  |
| 6.7R  | 34.7 fc        | 16.9 ft 26.8 ft |
| 10.0R | 15.6 fc        | 25.2 ft 40.0 ft |
| 13.3R | 8.80 fc        | 33.6 ft 53.1 ft |
| 16.7R | 5.58 fc        | 42.1 ft 66.7 ft |
| 20.0R | 3.89 fc        | 50.5 ft 79.9 ft |

■ Vert. Spread: 103.2°  
■ Horiz. Spread: 126.8°

**45 Watt**  
DLC Standard



|       | Center Beam fc | Beam Width      |
|-------|----------------|-----------------|
| 3.2R  | 184 fc         | 8.7 ft 13.7 ft  |
| 6.7R  | 44.6 fc        | 17.6 ft 27.8 ft |
| 10.0R | 20.0 fc        | 26.3 ft 41.5 ft |
| 13.3R | 11.3 fc        | 35.0 ft 55.2 ft |
| 16.7R | 7.18 fc        | 44.0 ft 69.3 ft |
| 20.0R | 5.00 fc        | 52.7 ft 82.9 ft |

■ Vert. Spread: 105.6°  
■ Horiz. Spread: 128.5°

Case Qty 1 pc

