

## SECSD SECURITY BARN LIGHT

PROJECT: \_\_\_\_\_

SCHEDULE: \_\_\_\_\_ DATE: \_\_\_\_\_

PREPARE BY: \_\_\_\_\_

NOTES: \_\_\_\_\_

### DESCRIPTION

naturaLED® security lighting provides a pole mount outdoor application. An energy efficient alternatives for obsolete 100-watt mercury vapor exterior dusk to dawn barn lights with only up to 38W LED, saving more than 50% in energy savings. Die-cast aluminum housing and suitable for wet location with the rating IP65.

### APPLICATIONS

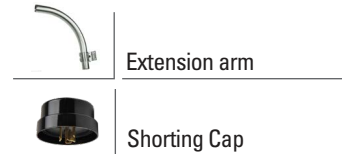
Alleyways, parking lot, security, pole barn, street, area, driveway lighting



### FEATURES

- IP65 Rated
- ETL Listed
- Photocell sensor included
- Material: Die cast aluminum
- ColorTemp: 4000K
- Input line voltage: 120-277V
- Power Factor: >0.9
- CRI: 70
- Operating temperature: -22°F - 122°F
- Recommended 15-30 foot height performance
- 5 Year Warranty
- Finish: Silver
- Optional for Purchase: 16" Extension Arm, Shorting Cap

### ACCESSORIES



## SAMPLE NUMBER LED-FXSECSD28/40K

STYLE	FAMILY	SERIES	WATTAGE	COLOR TEMP
LED LED Lighting	FX Fixture	SECSD Security Barn Lights	28 >28 Watt	40K 4000K



# SECURITY BARN LIGHT (SECSD)

WALL & SECURITY LUMINAIRES

## ORDERING

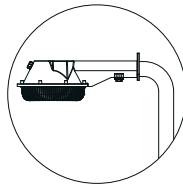
Watts (W)	Ordering Code	Description	CCT (K)	Lumens (Lm)	Equiv. Wattage (W)	Color	IP65 Rated
29	<b>7190</b>	LED-FXSECSD28/40K	4000K	3,076	100	Silver	•
38	<b>7477</b>	LED-FXSECSD38/40K	4000K	4,158	150	Silver	•

## ACCESSORIES (Ordered Separately)

### Extension Arm



P10054 MT-DEA16  
(Dusk to Dawn 16" Extension Arm Pole)



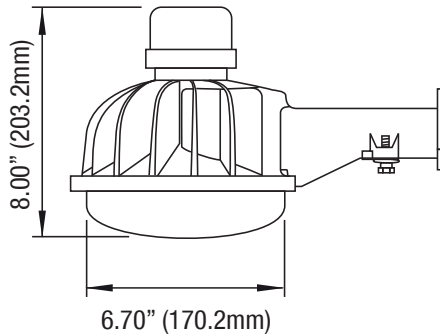
### Shorting Cap



P10053 SEN-PHO-LK-MT/SRT  
(Twist-lock mount shorting cap)

## DIMENSIONS

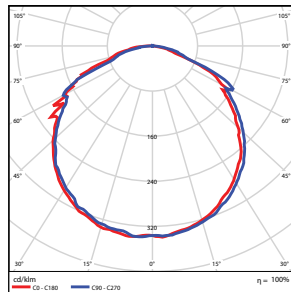
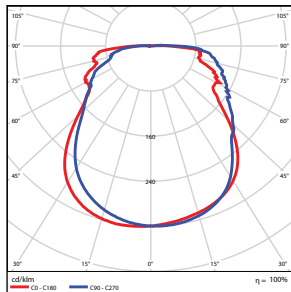
29/38W  
4.30-lbs



## PHOTOMETRICS CHART

29 Watt

38 Watt



## PACKAGE

Case Qty 1 pc

