

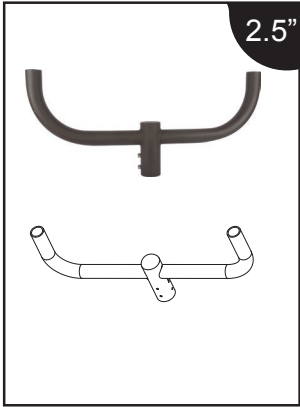
# ROUND TENON BULLHORN DOUBLE HEAD 180°

POLE MOUNTING BRACKET

ORDER NUMBER

P10356 MT-2.5RTBV2.5-2180/BZ

2.5" Round Tenon Bullhorn Vertical to 2-3/8" Double Heads at 180°



Item #	Catalog Number	Description	Max allowable load per tenon	Bracket EPA MAX	Bracket weight MAX
P10360	MT-4STV2.5-2180/BZ	Square Twin	110lbs(50kg)	0.89ft <sup>2</sup>	17.6lbs(8kg)
P10361	MT-4STV2.5-3180/BZ	Square 3-in-line	110lbs(50kg)	1.2ft <sup>2</sup>	28.2lbs(12.8kg)
P10362	MT-4STV2.5-490/BZ	Square 4 @ 90°	110lbs(50kg)	0.89ft <sup>2</sup>	27.3lbs(12.4kg)
P10356	MT-2.5RTBV2.5-2180/BZ	Round Twin	110lbs(50kg)	1.1ft <sup>2</sup>	17.8lbs(8.1kg)
P10357	MT-2.5RTBV2.5-3180/BZ	Round 3-in-line	110lbs(50kg)	1.5ft <sup>2</sup>	27lbs(12.3kg)
P10358	MT-2.5RTBV2.5-3120/BZ	Round 3 @ 120°	110lbs(50kg)	1.4ft <sup>2</sup>	27.7lbs(12.6kg)

