

PROJECT: _____

SCHEDULE: _____ DATE: _____

PREPARE BY: _____

NOTES: _____

SAL Slim Area Light Z10

DESCRIPTION

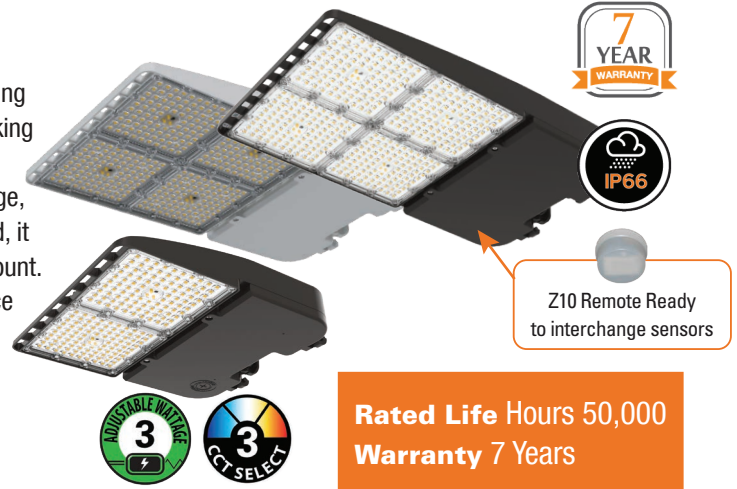
The naturaLED® Slim Area Light features a durable die-cast aluminum housing with an advanced thermal design, making it an ideal lighting solution for parking lots, streets, walkways, building flood lighting (both up and down), and sign illumination. It delivers uniform, consistent color with a versatile wattage range, replacing 100W to 1500W HID fixtures. DLC Premium certified and IP66 rated, it offers four mounting options: Pole Mount, Slip Fitter, Wall Mount, and Yoke Mount. Integrated autonomous and photocell motion sensors are available to enhance energy efficiency, with potential savings of up to 85%, significantly reducing maintenance costs related to labor, lamp replacements, and ballast upkeep.

APPLICATIONS

Area/ Parking, Security, Pathway, Perimeter, Wall Lighting

FEATURES

- DLC Premium
- IP66 Rated
- ETL/cETL Listed
- Wattage & Color Selectable
- Z10 Receptacle Pre-installed
- Wattage: 25-75W, 90-150W, 200-340W
- Color Temp: CCT3 (30/40/50K)
- Voltage: 120-277V, 120-347V
- Surge Protection: 20KV
- Dimmable: 0-10V
- CRI: >80
- L70:>100,000 hours
- Operating Temperature: -40°F to 122°F
- Beam Angle: Type 3 (T2,T4,T5 and T3BLC Backlight Cut-off Lens Available)
- Power Cable Length: 3-ft
- Lens: UV Resistant Polycarbonate Lens
- Material: Die Cast Aluminum
- Color: Bronze / Black / White
- Optional Accessories for Purchase: Mounts, Controls, Photocell, Surge Protection, Glare Shield, Lens
- Warranty: 7-Year Limited Warranty



ACCESSORIES

	Pole Mount Arm		Lens- Type 3 or 4
	Slip Fitter		Pole Brackets
	Yoke Mount		Wall Mount
	Sensors		Glare Shield
	Surge Protection		

SAMPLE NUMBER		SAL150S/T3/8C3/BZ-Z10			
SERIES	WATTAGE	LENS	CRI/COLOR TEMP	COLOR	CONTROL READY
SAL Slim Area Light	150S 150 Selectable Wattage	T3 Type 3 Lens	8C3 CRI 80 3CCT (3000/4000/5000K)	BZ Bronze	Z10 Z10 Receptacle



SLIM AREA LIGHT Z10

WALL & AREA LUMINAIRES

ORDERING

*P= Premium DLC / *S = Standard DLC

Ordering Code	Description	Watts (W)	Lumens (Lm)	CCT (K)	Equiv. Wattage (W)	Color	IP66 Rated	DLC (S/P)
9714	SAL75S/T3/8C3/BZ-Z10	25	3,500	3CCT (30/40/50K)	100-400	Bronze	•	P
		42	5,880					
		50	7,000					
		75	10,555					
9715	SAL75S/T3/8C3/BK-Z10	25	3,500	3CCT (30/40/50K)	100-400	Black	•	P
		42	5,880					
		50	7,000					
		75	10,555					
9716	SAL75S/T3/8C3/WH-Z10	25	3,500	3CCT (30/40/50K)	100-400	White	•	P
		42	5,880					
		50	7,000					
		75	10,500					
9677	SAL/150S/T3/8C3/BZ-Z10	90	12,600	3CCT (30/40/50K)	400-575	Bronze	•	P
		120	16,800					
		150	21,000					
9681	SAL/150S/T3/8C3/BK-Z10	90	12,600	3CCT (30/40/50K)	400-575	Black	•	P
		120	16,800					
		150	21,000					
9679	SAL/150S/T3/8C3/WH-Z10	90	12,600	3CCT (30/40/50K)	400-575	White	•	P
		120	16,800					
		150	21,000					
9678	SAL/340S/T3/8C3/BZ-Z10	200	28,000	3CCT (30/40/50K)	1000-1500	Bronze	•	P
		270	37,800					
		340	47,600					
9682	SAL/340S/T3/8C3/BK-Z10	200	28,000	3CCT (30/40/50K)	1000-1500	Black	•	P
		270	37,800					
		340	47,600					
9680	SAL/340S/T3/8C3/WH-Z10	200	28,000	3CCT (30/40/50K)	1000-1500	White	•	P
		270	37,800					
		340	47,600					
*9720	SAL/150S/T3/8C3/BZ/480-Z10	90	12,600	3CCT (30/40/50K)	400-575	Bronze	•	P
		120	16,800					
		150	21,000					
*9721	SAL/150S/T3/8C3/BK/480-Z10	90	12,600	3CCT (30/40/50K)	400-575	Black	•	P
		120	16,800					
		150	21,000					
*9722	SAL/150S/T3/8C3/WH/480-Z10	90	12,600	3CCT (30/40/50K)	400-575	White	•	P
		120	16,800					
		150	21,000					
*9723	SAL/340S/T3/8C3/BZ/480-Z10	200	28,000	3CCT (30/40/50K)	1000-1500	Bronze	•	P
		270	37,800					
		340	47,600					
*9724	SAL/340S/T3/8C3/BK/480-Z10	200	28,000	3CCT (30/40/50K)	1000-1500	Black	•	P
		270	37,800					
		340	47,600					
*9725	SAL/340S/T3/8C3/WH/480-Z10	200	28,000	3CCT (30/40/50K)	1000-1500	White	•	P
		270	37,800					
		340	47,600					

ACCESSORIES



8" Adjustable Pole Mount

- P10523 MT-AL/PM8/BZ
(8" Adjustable Pole Mount Bronze)
- P10524 MT-AL/PM8/WH
(8" Adjustable Pole Mount White)
- P10525 MT-AL/PM8/BK
(8" Adjustable Pole Mount Black)



6" Pole Mount Arm

- P10453 MT-AL/PM6/BZ
(6" Pole Mount Arm Bronze)
- P10458 MT-AL/PM6/WH
(6" Pole Mount Arm White)
- P10468 MT-AL/PM6/BK
(6" Pole Mount Arm Black)



Slip Fitter

- P10455 MT-AL/SF/BZ
(Slip Fitter Mount Bronze)
- P10460 MT-AL/SF/WH
(Slip Fitter Mount White)
- P10470 MT-AL/SF/BK
(Slip Fitter Mount Black)



Wall Mount

- P10473 MT-AL/WM/BZ
(Wall Mount Bronze)
- P10474 MT-AL/WM/WH
(Wall Mount White)
- P10475 MT-AL/WM/BK
(Wall Mount Black)



Type III, IV, V Lens

- P10466 LENS-SAL-T3-G1
(Type III Lens
Requires 2pcs for 25W ~ 150W
Requires 4pcs for 240/320W)
- P10467 LENS-SAL-T4-G1
(Type IV Lens
Requires 2pcs for 25W ~ 150W
Requires 4pcs for 240/320W)



Surge Protection

- P10389 SPD-L-10KV-277
(Surge Protection 10KV 120-277V)
- P10390 SPD-L-20KV-277
(Surge Protection 20KV 120-277V)
- P10391 SPD-L-20KV-480
(Surge Protection 20KV 347-480V)



Yoke Mount

- P10456 MT-SAL/YK12/BZ
(12" Yoke Mount Bronze)
- P10461 MT-SAL/YK12/WH
(12" Yoke Mount White)
- P10471 MT-SAL/YK12/BK
(12" Yoke Mount Black)

- P10499 LENS-SAL-T5-G1
(Type V Lens
Requires 2pcs for 25W ~ 150W
Requires 4pcs for 240/320W)
- P10500 LENS-SAL-T3-BLC-G1
(Type 3 Back Light Cut Lens)
Requires 2pcs for 150W
Requires 4pcs for 340W)



Motion/Photocell Sensor & Remote Control

- P10522 SEN-ANT-6-Z10
(Z10 Twist-Lock PIR Motion and Photocell Sensor, 0-10V, 12-24Vdc - White)
- P10520 SEN-ANT-5-Z10-PC
(Z10 Twist-Lock Photocell 12-24Vdc - White)
- P10316 SEN-BRI-RC100
(Remote Programmer for P10520)



Glare Shield

- P10481 GSFB-SAL/BZ
(Glare Shield- Bronze)
- P10482 GSFB-SAL/WH
(Glare Shield- White)
- P10483 GSFB-SAL/BK
(Glare Shield- Black)

POLE BRACKETS



Round Pole Mount Tenon

P10348 MT-3RTV2.5-1/BZ
(3" Round Pole with 2-3/8" Tenon)

P10349 MT-4RTV2.5-1/BZ
(4" Round Pole with 2-3/8" Tenon)

P10350 MT-5RTV2.5-1/BZ
(5" Round Pole with 2-3/8" Tenon)



Square Pole Mount Tenon

P10351 MT-3STV2.5-1/BZ
(3" Square Pole with 2-3/8" Tenon)

P10352 MT-4STV2.5-1/BZ
(4" Square Pole with 2-3/8" Tenon)

P10353 MT-5STV2.5-1/BZ
(5" Square Pole with 2-3/8" Tenon)



Bullhorns with Double -180°

P10356 MT-2.5RTBV2.5-2180/BZ
(Bullhorn with Double 2-3/8" Tenon-180°)



Bullhorns with Triple -180°

P10357 MT-2.5RTBV2.5-3180/BZ
(Bullhorn with Triple 2-3/8" Tenon-180°)



Bullhorns with Triple -120°

P10358 MT-2.5RTBV2.5-3120/BZ
(Bullhorn with triple 2-3/8" Tenon-120°)



Spoke Mount Bracket with Double - 90°

P10359 MT-2.5RTBH2.5-290/BZ
(Spoke Mount Bracket with Double 2-3/8" -90°)



Square Pole Mount with Double - 180°

P10360 MT-4STV2.5-2180/BZ
(4" Square Pole Mount with Double 2-3/8" Tenon)



Square Pole Mount with Triple - 180°

P10361 MT-4STV2.5-3180/BZ
(4" Square Pole Mount with Triple 2-3/8" Tenon)



Square Pole Mount with Quad - 90°

P10362 MT-4STV2.5-490/BZ
(4" Square Pole Mount with Quad 2-3/8" Tenon)



Wall Mount Bracket

P10363 MT-4WM2.5-1/BZ
(Wall Mount Bracket with 2-3/8" Tenon)



Angled Mount Bracket - 90°

P10364 MT-4WM2.5-190/BZ
(90° Angled Wall Mount with 2-3/8" Tenon)

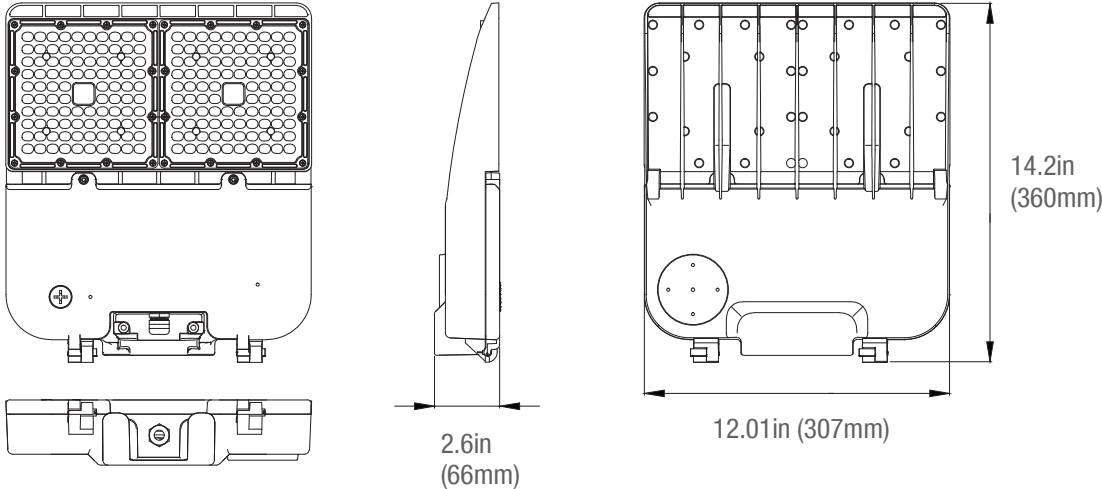


Light Pole Cap

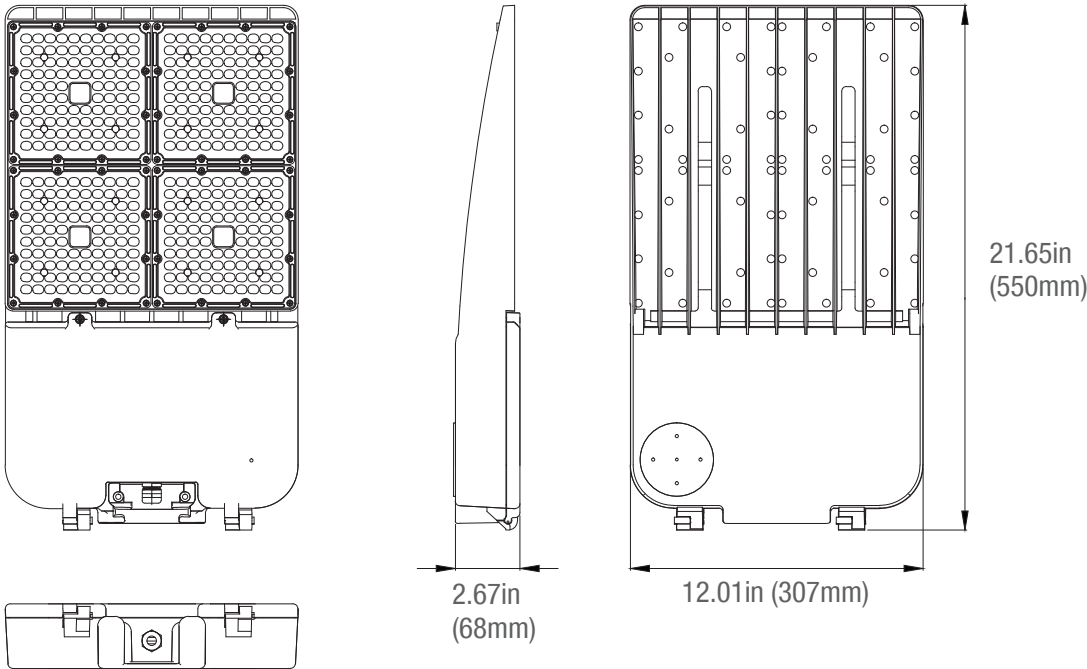
P10354 MT-4STC/BK
(4" Square Pole Cap)

DIMENSIONS

75SW & 150SW
8.00-lbs



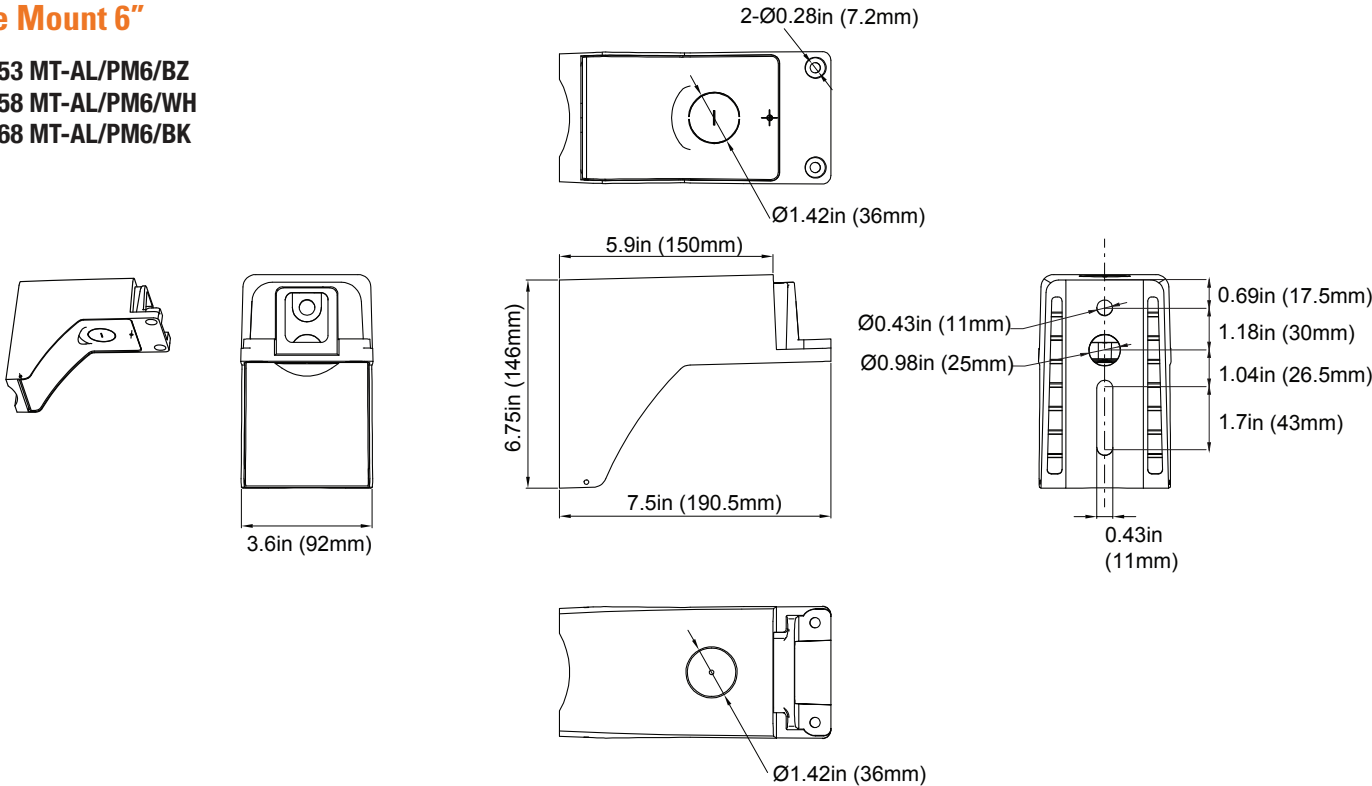
340SW
15.50-lbs



MOUNTINGS

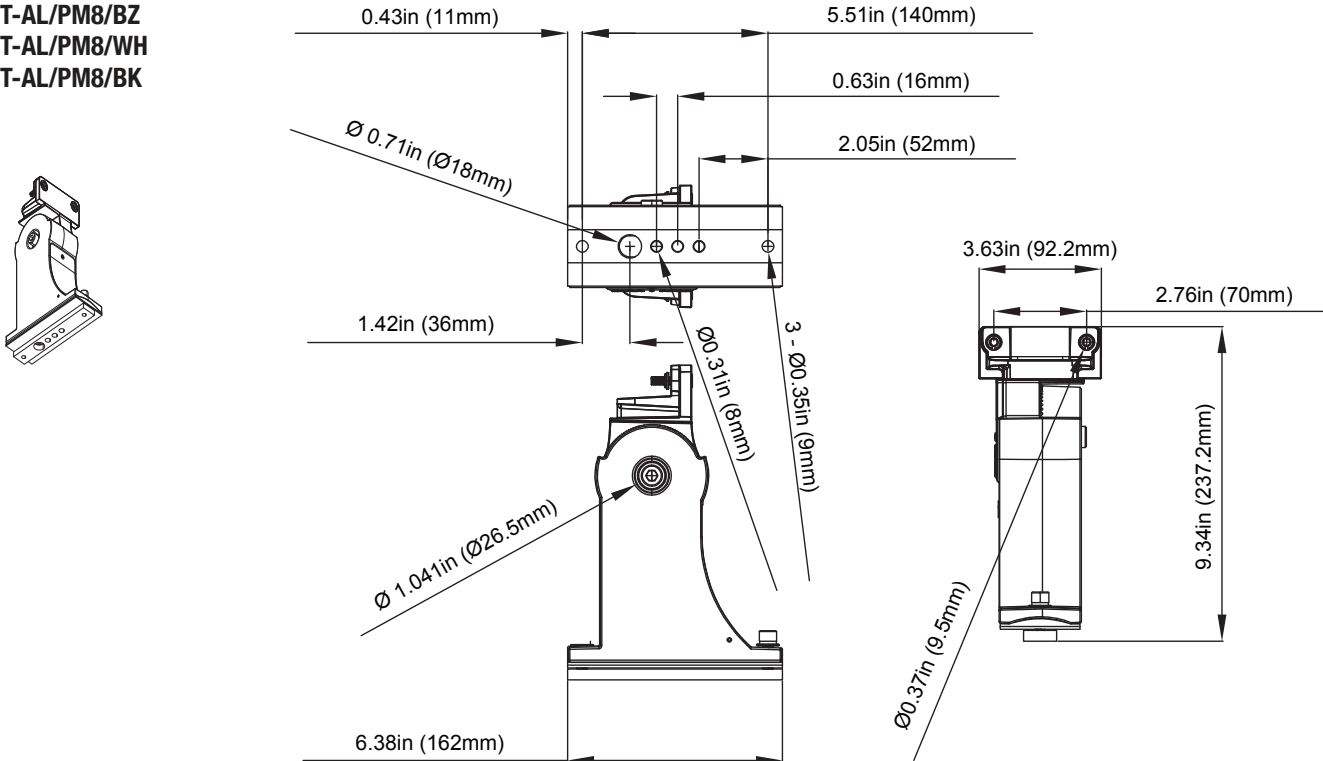
Pole Mount 6"

- P10453 MT-AL/PM6/BZ
- P10458 MT-AL/PM6/WH
- P10468 MT-AL/PM6/BK



Adjustable Mount 8"

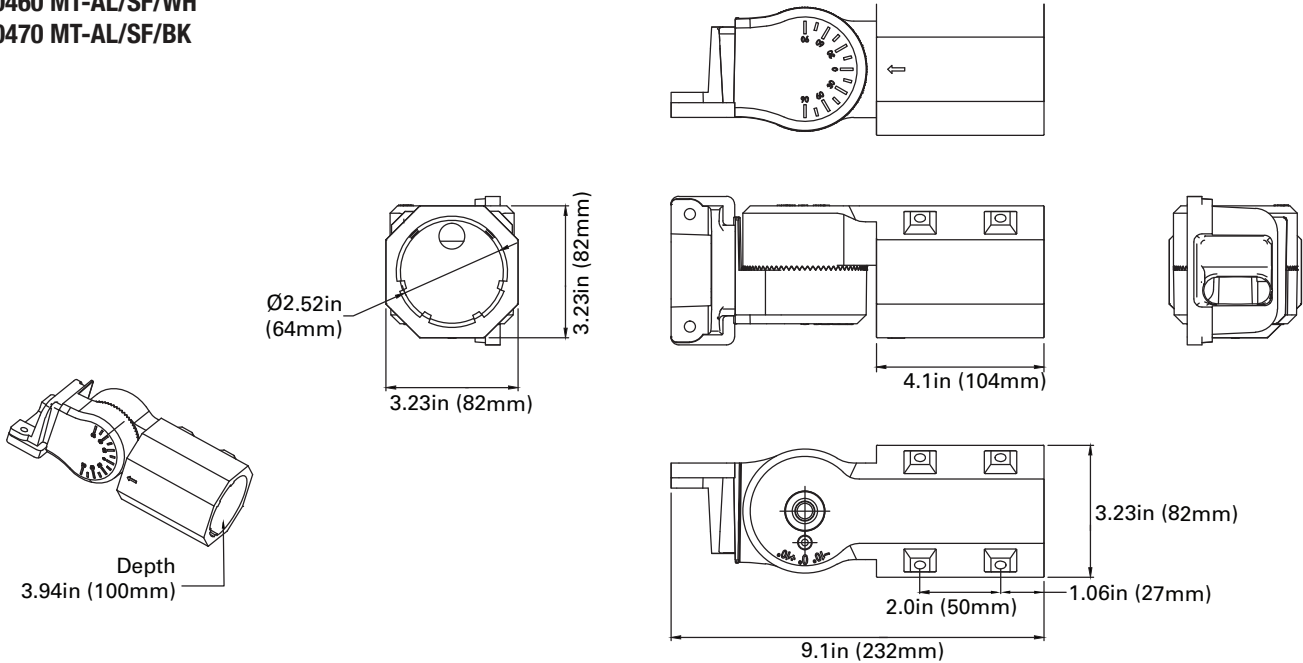
- P10523 MT-AL/PM8/BZ
- P10524 MT-AL/PM8/WH
- P10525 MT-AL/PM8/BK



MOUNTINGS

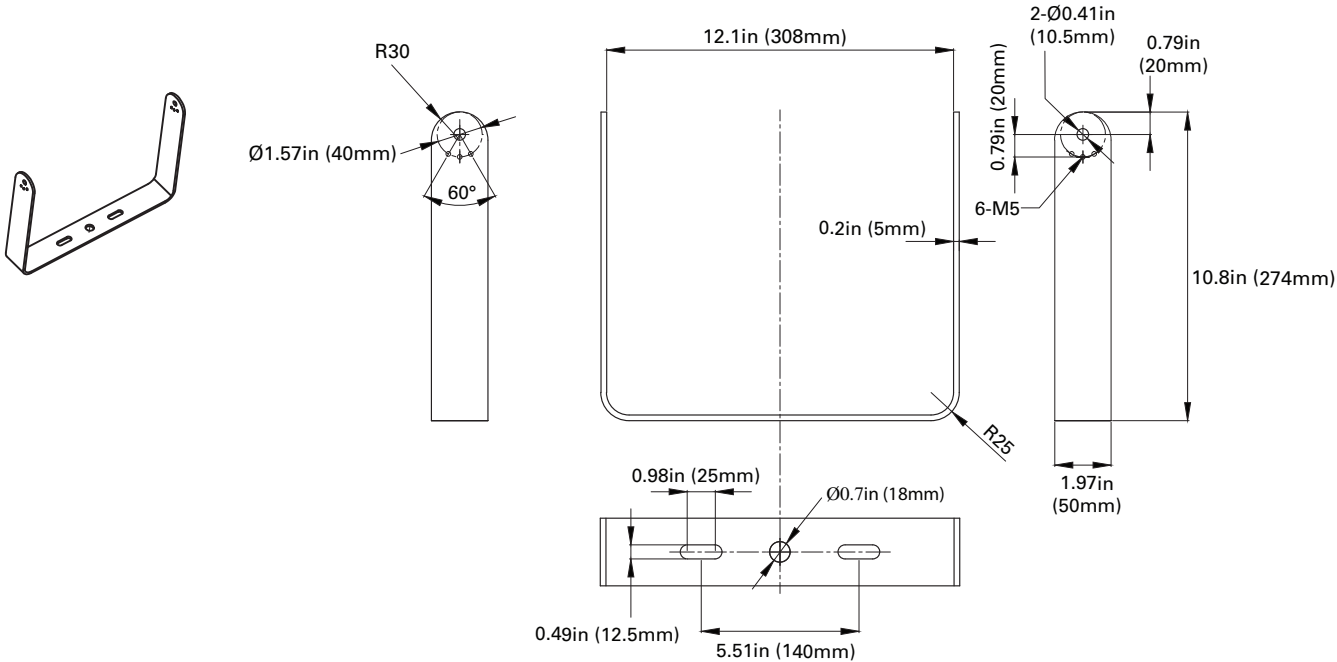
Slip Fitter

- P10455 MT-AL/SF/BZ
- P10460 MT-AL/SF/WH
- P10470 MT-AL/SF/BK



Yoke Mount 12"

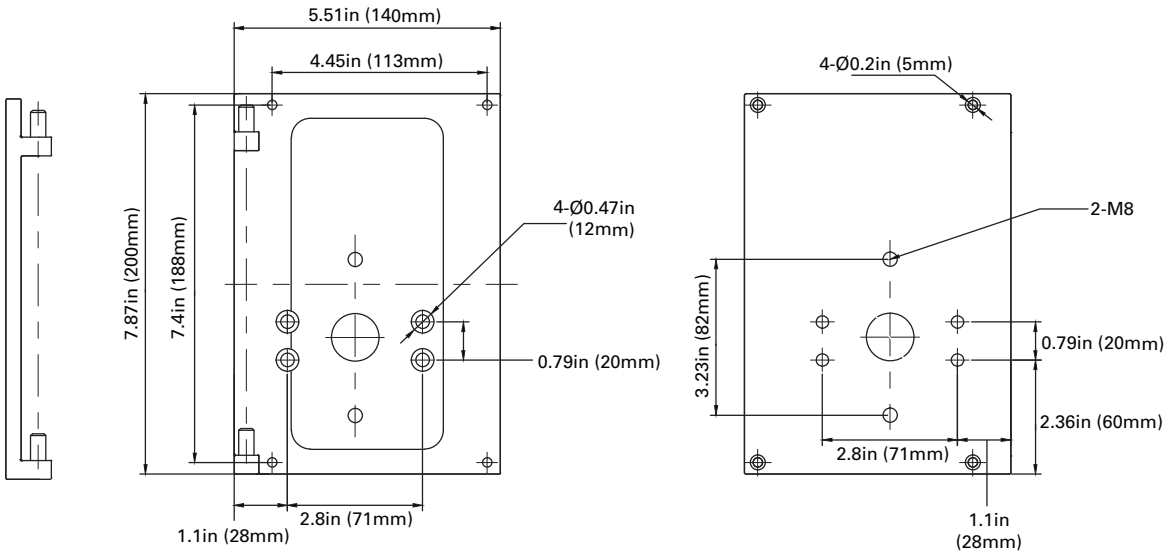
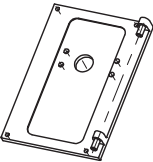
- P10456 MT-SAL/YK12/BZ
- P10461 MT-SAL/YK12/WH
- P10471 MT-SAL/YK12/BK



MOUNTINGS

Wall Mount

- P10473 MT-AL/WM/BZ
- P10474 MT-AL/WM/WH
- P10475 MT-AL/WM/BK

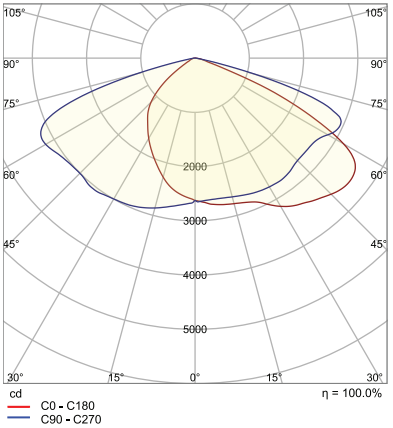


SLIM AREA LIGHT Z10

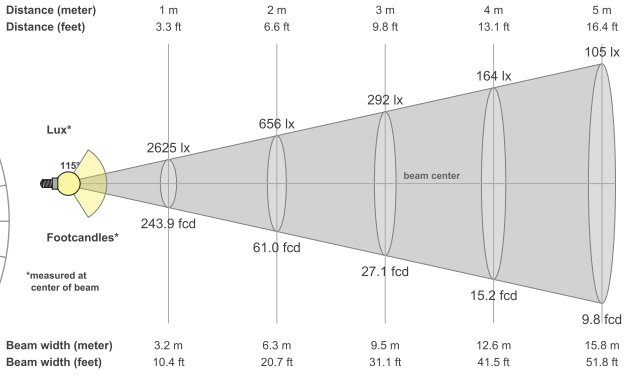
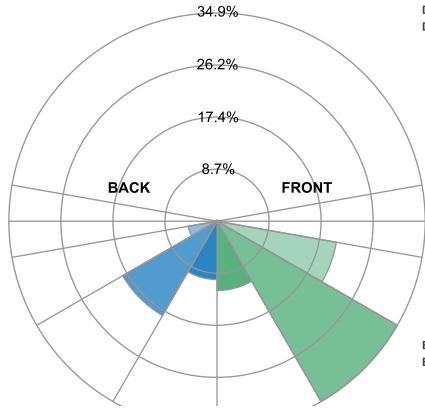
WALL & AREA LUMINAIRES

PHOTOMETRICS

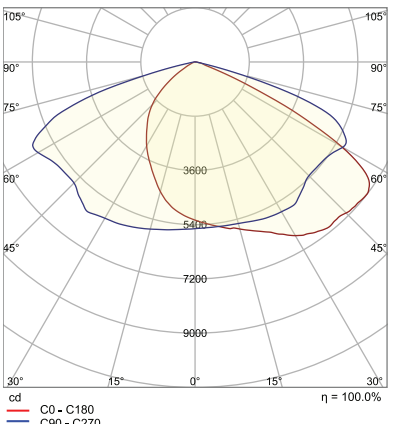
75 S/Wattage



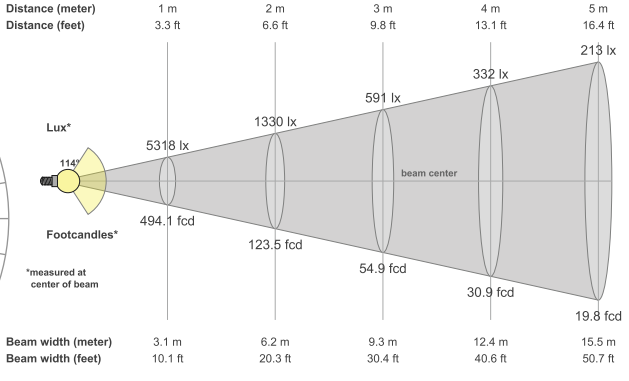
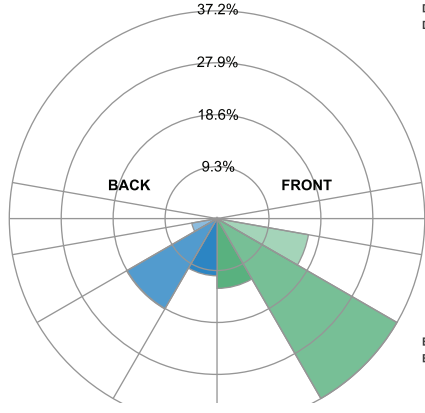
BUG rating B2 U0 G2



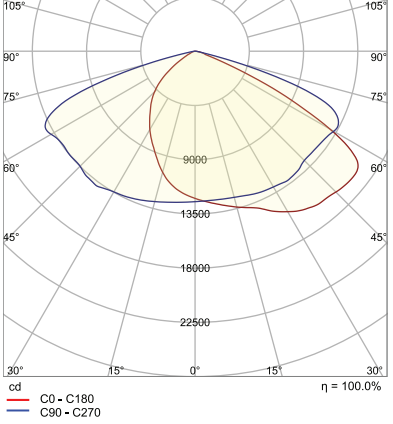
150 S/Wattage



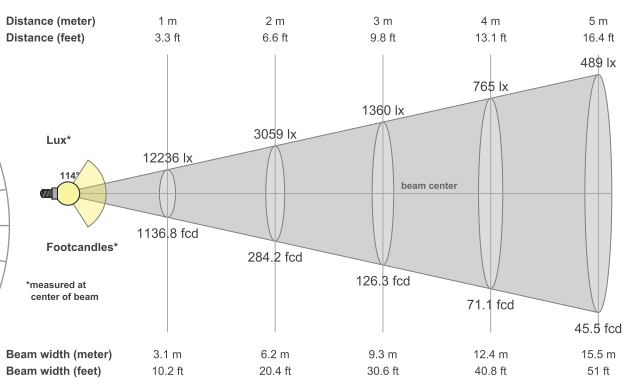
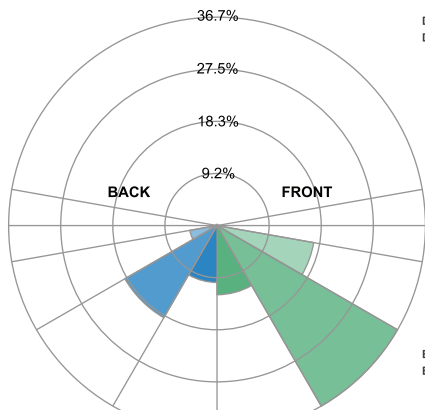
BUG rating B3 U0 G2



340 S/Wattage

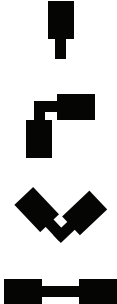


BUG rating B5 U0 G4

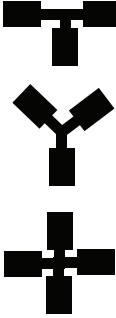


EPA RATING

75SW & 150SW

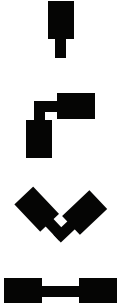


Config.	EPA (ft²)
1	0.212
2 @ 90°	0.723
2 @ 120°	0.625
2 @ 180°	0.573

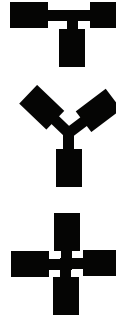


Config.	EPA (ft²)
3 @ 90°	0.74
3 @ 120°	0.82
4 @ 90°	1.25

340SW



Config.	EPA (ft²)
1	0.25
2 @ 90°	0.85
2 @ 120°	0.88
2 @ 180°	0.60



Config.	EPA (ft²)
3 @ 90°	0.87
3 @ 120°	1.14
4 @ 90°	1.63

PACKAGE

	Master Carton (pc)	Dimensions (in)	Weight (lb)
75W	1	16.5"x13.8"x4.1"	9.48
150W	1	16.5"x13.8"x4.1"	9.48
340W	1	23.8"x13.8"x4.5"	15.87

