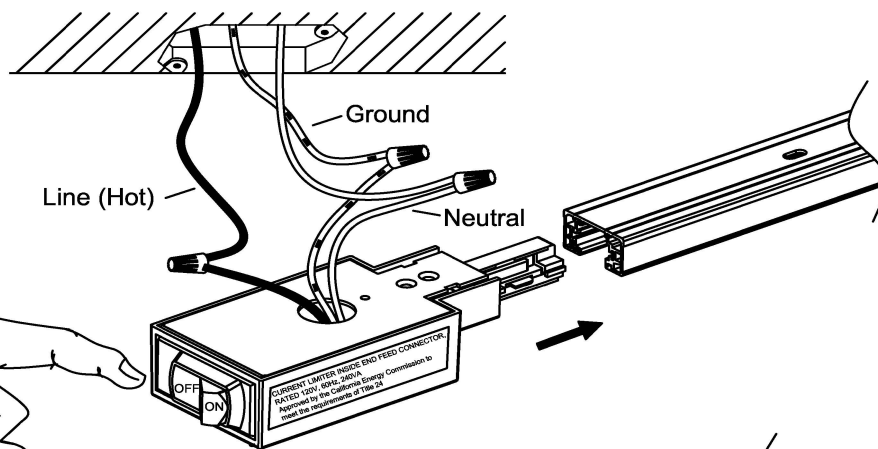
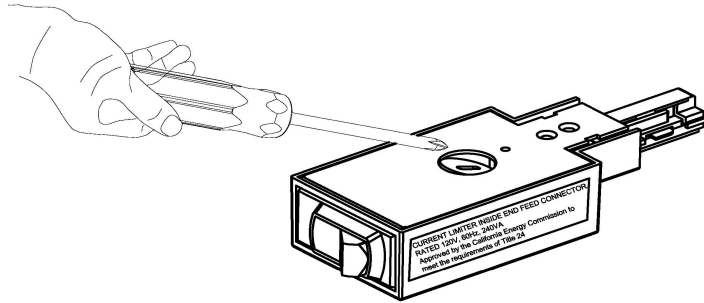
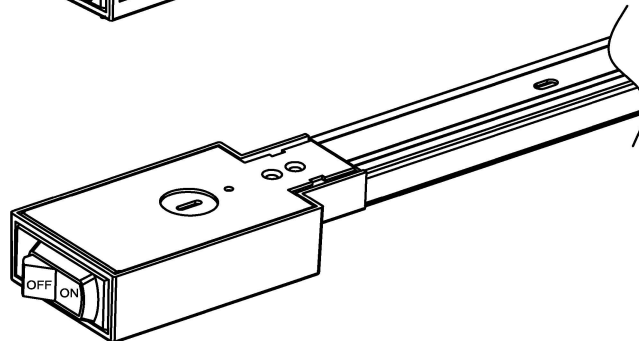


INSTALLATION AND SAFETY INSTRUCTIONS

IMPORTANT: Read before installing fixture. Retain for future reference.



- 0.5 AMP (60 Watts)
- 1 AMP (120 Watts)
- 2 AMP (240 Watts)
- 3 AMP (360 Watts)
- 5 AMP (600 Watts)
- 8 AMP (960 Watts)
- 12 AMP (1440 Watts)



TO PREVENT RISK OF SHOCK, TURN OFF ELECTRICITY PROPER TO INSTALLATION OR MAINTENANCE

IMPORTANT SAFETY INSTRUCTIONS

WHEN INSTALLING OR USING THIS TRACK SYSTEM, BASIC SAFETY PRECAUTIONS SHOULD ALWAYS BE FOLLOWED, INCLUDING THE FOLLOWING:

- READ ALL INSTRUCTIONS.
- FOR USE WITH 120V TRACK SYSTEM ONLY.
- DO NOT INSTALL IN DAMP OR WET LOCATIONS.
- CHECK WITH A QUALIFIED ELECTRICIAN.
- DO NOT ATTEMPT TO ENERGIZE ANYTHING OTHER THAN LIGHTING FIXTURES ON THE TRACK.
- DO NOT ATTEMPT TO CONNECT POWER TOOLS, EXTENSION CORDS, APPLIANCES AND THE LIKE TO THE TRACK.

This product must be installed in accordance with the owners manual, current electrical codes and/or the current National Electric Code (NEC).

CAUTION-To reduce the risk of fire and electric shock, use only with SATCO/NUVO track system.