

# LED Lighting Surge Protector Datasheet

## ZYS-P10H

### SPECIFICATION FOR APPROVAL

Supplier Part Number : ZYS-P10H

Supplier Material Code : 101-1011210301

Supplier Warranty : Five Years Warranty

Packaging Method : 25PCS/Box ,16Box/CTN ,400PCS/CTN

Special Requirements : \_\_\_\_\_

#### Product Parameters:

Input Voltage	Lightning Protection	IP Rating	Connection Mode	Certificate
277-480Vac	L-N:10KV L/N-PE:10KV	IP66	Parallel Connection	CE/UL/TUV

Please send back a letter of acknowledgement to our company after sign and stamp.

Customer sign and stamp		Supplier sign and stamp	
Admit		Formulate	Chen Yangkun
Verify		Verify	Tang Wenhao
Approval		Approval	Yi Jianqing

# LED Lighting Surge Protector Datasheet

## ZYS-P10H




### Overview

ZYS-P10H Surge Protective Device is a self-protected device specially designed to be used in outdoor and commercial LED lighting fixtures for transient overvoltage protection.

It is mainly composed of varistor and gas discharge tube device. It is designed to protect electrical devices from electrical surges and voltage spikes. External installation, can be replaced independently, easy to install and maintain. The SPD has strictly approved UL/TUV to satisfy most of the equipment.

### Agency Approvals

Agency	Standard	Agency File Number
	UL1449	E502491
	EN61643-11:2012+All	J50532068

### Features

- ◆ Applicable to class I or class II lamps
- ◆ Built in protection mode: L-N, L-PE, N-PE
- ◆ Built in thermal separation function for higher security
- ◆ Parallel isolation design, excellent protection performance
- ◆ Excellent surge resistance and very low residual voltage
- ◆ UL 1015 16#Electronic wire
- ◆ Small and convenient for embedded installation
- ◆ IP66 dust proof and waterproof grade

### Application

- ◆ Digital Signage
- ◆ Traffic Lighting
- ◆ Flood Lighting
- ◆ Tunnel Lighting
- ◆ Street lighting
- ◆ Wall Lamp
- ◆ Road Lighting
- ◆ Parking Lighting
- ◆ AC-LED Lighting

### Parameters

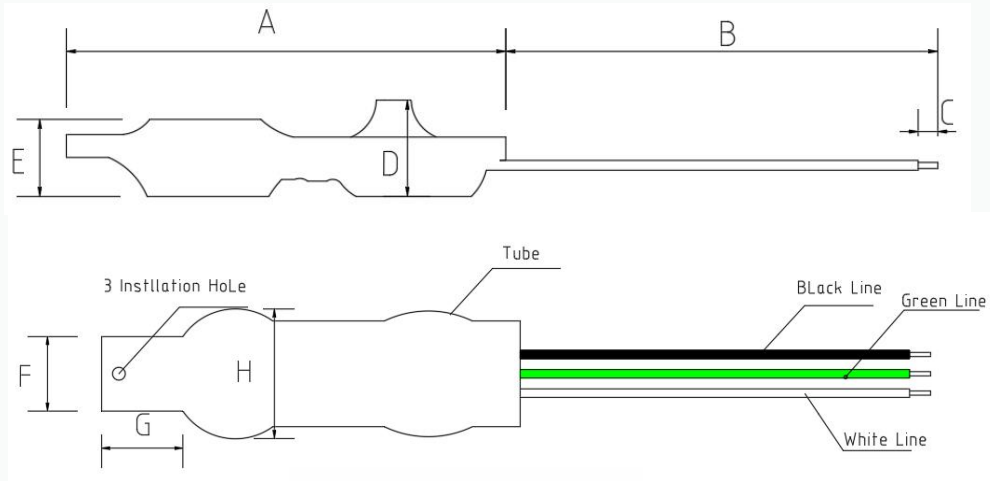
Notes	Part Number	ZYS-P10H
Rated working voltage/Un (VAC)		277-480V
Maximum continuous working voltage/MCOV/Uc (VAC) (1)		510V
Rated load current/IL(A)		/
Nominal discharge current/In(kA)(2)		5KA
Maximum Discharge Current/Imax (kA) (3)		10KA
Surge Impulse Voltage/Uoc (KV)		10KV
Voltage Protection Level/Up(V)(4)		L-N,L-G/PE,N-G/PE≤1.8KV
Power Supply System		TN
Waterproof grade		IP66
Work environment		-40°C~+85°C
UL1449 test classification		Type 5

# LED Lighting Surge Protector Datasheet

## ZYS-P10H

- (1). Maximum Continuous Operating Voltage (MCOV/UC (VAC)):The maximum continuous operating voltage that can be continuously applied to the SPD line terminals.
- (2). Nominal Discharge Current (In) (kA):a measurement of the SPD's withstand capability; this value is measured using an 8/20 $\mu$ s current waveform with 15 pulses.
- (3). Maximum Discharge Current (max) (kA):a measurement of the SPD's maximum withstand capability; this value is measured using an 8/20 $\mu$ s current waveform with two pulses.
- (4). Voltage Protection Level (Up): IEC61643-11 voltage protection level, the maximum residual voltage measured at the nominal discharge current (In) under continuous application of an 8/20 $\mu$ s pulse.

### Dimension

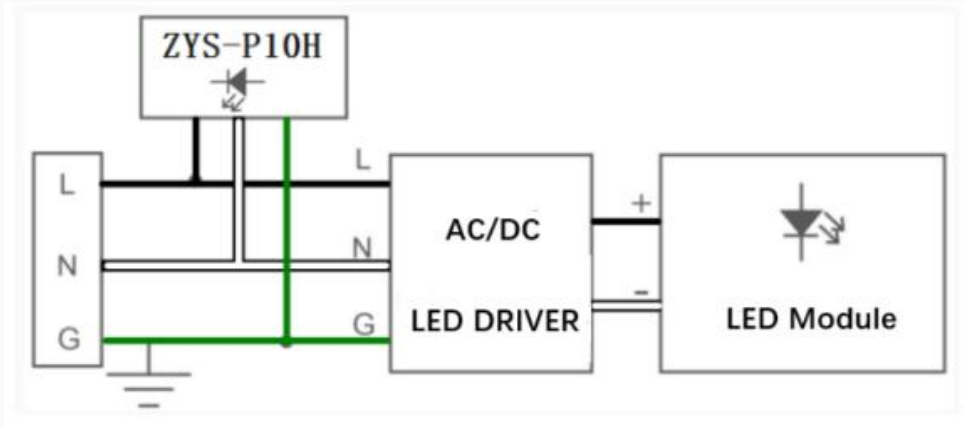


Cable	A	B	C	D	E	F	G	H	I
<b>UL 1015 16# Electronic wire</b>	<b>105±5</b>	<b>150±10</b>	<b>10±1</b>	<b>17±2</b>	<b>12±2</b>	<b>14±2</b>	<b>16±2</b>	<b>22±2</b>	<b>3</b>

# LED Lighting Surge Protector Datasheet

## ZYS-P10H

### Diagram



### Packaging Method

Size (L*W*H)	455*364*225mm		NW	19.05KG	
QTY	400PCS/CTN	Packing	25PCS/Box*16box/CTN	GW	19.70KG

