

LED Lighting Surge Protector Datasheet

ZYS-P20H

SPECIFICATION FOR APPROVAL

Supplier Part Number : ZYS-P20H

Supplier Material Code : 101-1011220301

Supplier Warranty : Five Years Warranty

Packaging Method : 20PCS/Box ,16Box/CTN ,320PCS/CTN

Special Requirements : _____

Product Parameters:

Input Voltage	Lightning Protection	IP Rating	Connection Mode	Certificate
277-480Vac	L-N:20KV L/N-PE:20KV	IP66	Parallel Connection	CE/UL/TUV

Please send back a letter of acknowledgement to our company after sign and stamp.

Customer sign and stamp		Supplier sign and stamp	
Admit		Formulate	Chen Yangkun
Verify		Verify	Tang Wenhao
Approval		Approval	Yi Jianqing

LED Lighting Surge Protector Datasheet

ZYS-P20H





Overview

ZYS-P20H Surge Protective Device is a self-protected device specially designed to be used in outdoor and commercial LED lighting fixtures for transient overvoltage protection.

It is mainly composed of varistor and gas discharge tube device. It is designed to protect electrical devices from electrical surges and voltage spikes. External installation, can be replaced independently, easy to install and maintain. The SPD has strictly approved UL/TUV to satisfy most of the equipment.

Agency Approvals

Agency	Standard	Agency File Number
	UL1449	E502491
	EN61643-11:2012+All	J50532068

Features

- ◆ Applicable to class I or II lamps
- ◆ Built in protection mode: L-N, L-PE, N-PE
- ◆ Built in thermal separation function for higher security
- ◆ Parallel isolation design, excellent protection performance
- ◆ Excellent surge resistance and very low residual voltage
- ◆ UL 1015 16#Electronic wire
- ◆ Small and convenient for embedded installation
- ◆ IP66 dust proof and waterproof grade

Application

- ◆ Digital Signage
- ◆ Traffic Lighting
- ◆ Flood Lighting
- ◆ Tunnel Lighting
- ◆ Street lighting
- ◆ Wall Lamp
- ◆ Road Lighting
- ◆ Parking Lighting
- ◆ AC-LED Lighting

Parameters

Part Number	ZYS-P20H
Rated working voltage/Un (VAC)	277-480V
Maximum continuous working voltage/MCOV/Uc (VAC) (1)	510V
Rated load current/IL(A)	/
Nominal discharge current/In(kA)(2)	10KA
Maximum Discharge Current/Imax (kA) (3)	20KA
Surge Impulse Voltage/Uoc (KV)	20KV
Voltage Protection Level/Up(V)(4)	L-N≤1.8KV,,L-G/PE,N-G/PE≅2.5
Power Supply System	TN
Waterproof grade	IP66
Work environment	-40°C~+85°C
UL1449 test classification	Type 5

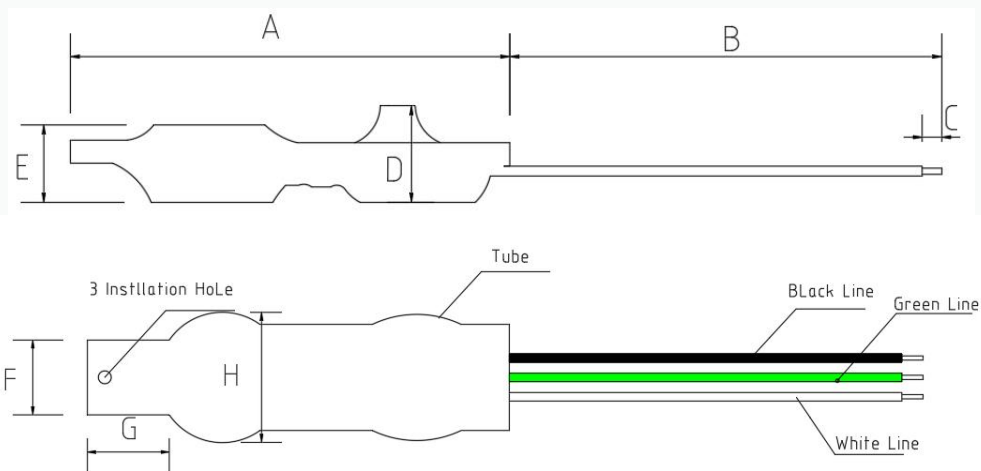
LED Lighting Surge Protector Datasheet

ZYS-P20H

Notes

- (1). Maximum Continuous Operating Voltage (MCOV/UC (VAC)):The maximum continuous operating voltage that can be continuously applied to the SPD line terminals.
- (2). Nominal Discharge Current (In) (kA):a measurement of the SPD's withstand capability; this value is measured using an 8/20 μ s current waveform with 15 pulses.
- (3). Maximum Discharge Current (max) (kA):a measurement of the SPD's maximum withstand capability; this value is measured using an 8/20 μ s current waveform with two pulses.
- (4). Voltage Protection Level (Up): IEC61643-11 voltage protection level, the maximum residual voltage measured at the nominal discharge current (In) under continuous application of an 8/20 μ s pulse.

Dimension

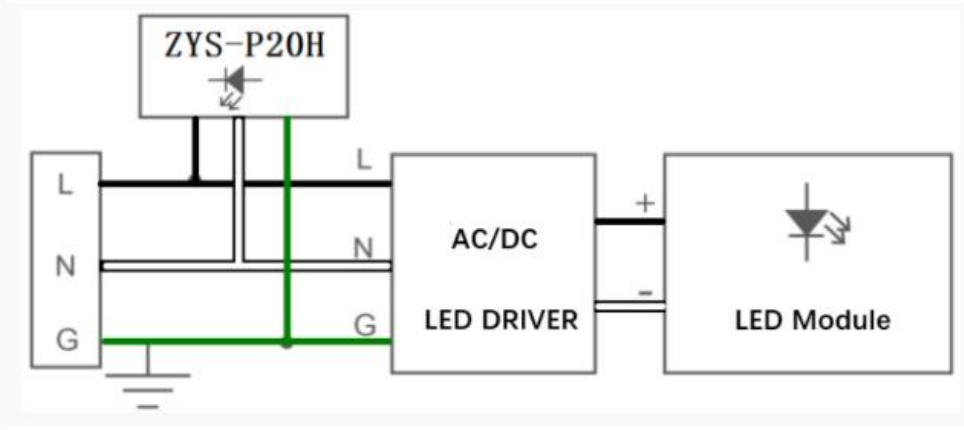


Cable	A	B	C	D	E	F	G	H	I
UL 1015 16# Electronic wire	105±5	150±10	10±1	18±2	16±2	18±2	16±2	28±2	3

LED Lighting Surge Protector Datasheet

ZYS-P20H

Diagram



Packaging Method

Size (L*W*H)	455*364*225mm		NW	21.0KG	
QTY	320PCS/CTN	Packing	20PCS/Box*16box/CTN	GW	21.7KG

