

*** FOR USE WITH TYPE B LAMPS ONLY ***



Input Voltage 120-277 V
Output Power 10 W (Constant)

ACE-G10B-180CP
Emergency Lighting Power for Type B TLEDs



Primary Specifications:

Output Power Max	Input Power	Input Current Max	Emergency Operating Time	Battery	Input Voltage	Output Voltage	Ambient Operating Temperature	UL Listed for US and Canada
10 W	7 W	140 mA	90 min.	LiFePO ₄ 24 Hour recharge 7 to 10 year Life expectancy	120-277 Vac 50/60Hz	120-180 Vdc ¹	0 °C through 55 °C	UL and cUL (UL924) Emergency Lighting Power Supply



Description:

The **ACE-G10B-180CP** from AC Electronics is an emergency lighting power supply for Type B LED tubes (TLEDs) that enables the same Type B TLED to be used for both normal and emergency operation. The **ACE-G10B-180CP** contains a battery, a high-efficiency battery charger, control circuitry, and high-efficiency power converter circuits, in a single metal enclosure. In the event of a normal power failure,

the **ACE-G10B-180CP** switches to emergency-mode and operates the fixture's Type B TLED for 90 minutes at a constant power of 10 W. When normal power returns, the **ACE-G10B-180CP** returns to normal-mode. The **ACE-G10B-180CP** can be used in switched or unswitched fixture applications. The **ACE-G10B-180CP** can be used for any compatible Type B LED tube.

Additional Specifications:

Output current range:..... Load Dependent
Surge protection:3 kV
Maximum case temperature Tc: 66 °C
Nominal battery voltage:.....12.8 V
Battery charge current:.....200 mA
Metal enclosure IP rating:..... IP30
Weight..... 4 lb
Dimensions:.....15.55 in L x 1.49 in W x 1.16 in H

¹The emergency-mode output voltage operating range is 40 - 180 Vdc.

*Warranty: 5 years based on a maximum case temperature of ≤ 60 °C, 3 years warranty based on a maximum case temperature of ≤ 66 °C

Safety and Regulatory Compliance:

- UL and cUL Listed as an Emergency Lighting Power Supply (UL924)
- UL Listed for both field and factory installation
- CEC Title 20 compliant: Certified in CA Title 20 Appliance Efficiency Database – Battery Charger
- EMI: Complies to FCC commercial limits
- RoHS compliant

WARNING!: Risk of Electrical Shock! Do not connect battery connectors until the driver is fully wired to a load!

Features, Benefits, and Applications:

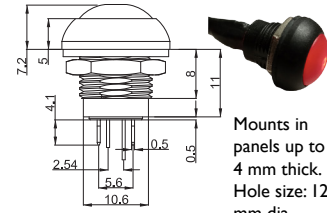
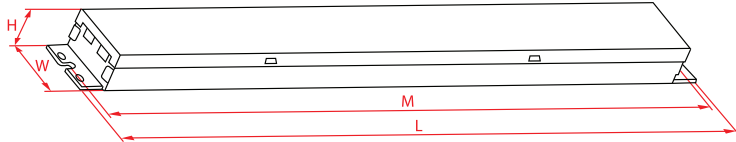
- Constant output power: Maintains constant emergency light levels over the full 90-minute runtime and over the output voltage range.
- Includes input over voltage surge protection, output short circuit, open circuit, and over-voltage protection, as well as over-temperature protection for improved reliability.
- Two-wire universal input: Reduces wiring errors and reduces installation time and complexity.
- Includes a miniature illuminated test switch status indicator: Enables mounting in small spaces.
- Suitable for indoor and damp locations.
- Compatible with a variety of Type B LED tubes, including dimmable Type B tubes.
- Compatible with TRIAC phase-cut dimming.
- Suitable for DLC Fixture Compliance.
- Suitable for both single and double ended Type B tubes.
- Single lamp full brightness operation at emergency for 1-4 lamp Type B LED fixture.
- Automatic shut down for incompatible TLED installation.

5-Year USA-Backed Warranty*
See complete AC Warranty information for details

For questions or to place an order contact us at oemsales@aceleds.com or 800-375-6355 or your local WPG American Sales representative at inquiry@wpgamericas.com or 888-WPG8881



ACE-G10B-180CP Emergency Lighting Power Supply for Type B TLEDs



Mounts in panels up to 4 mm thick. Hole size: 12 mm dia.

miniature illuminated test switch

Lead Lengths

Black	5.9"	Red	5.9"	Test Switch/	7.08"/
White	5.9"	Blue	5.9"	LED Indicator	23.62"
Black/White	5.9"			Battery Connector	33.07"

Dimensions

Length	15.55"	Height	1.16"
Width	1.49"	Mounting Length	15.23"

INSTALLATION:

The **ACE-G10B-180CP** Emergency Lighting Power Supply for Type B TLEDs may be used with either a switched or unswitched fixture. If used with a switched fixture, an unswitched (constant hot) lead must be connected to this Emergency Lighting Power Supply for Type B TLEDs to allow the battery to charge properly and to maintain a charge when normal AC power is available. This Emergency Lighting Power Supply for Type B TLEDs must not be installed with fixtures where the ambient temperature may fall below 0 °C (32 °F), and it must be installed

inside an electrical enclosure. The **ACE-G10B-180CP** Emergency Lighting Power Supply for Type B TLEDs comes in a single metal enclosure with a separate miniature illuminated test switch status indicator. This Emergency Lighting Power Supply for Type B TLEDs is suitable for installation in sealed and gasketed fixtures. The maximum remote mounting distance to the LOAD is 18 feet. The Emergency Lighting Power Supply for Type B TLEDs metal case should be grounded. 18 AWG 600 V, 105 °C tinned stranded copper lead-wires are required for installation.

Specifications:

Emergency lighting shall be provided by using the AC Electronics **ACE-G10B-180CP** Emergency Lighting Power Supply for Type B TLEDs with a compatible Type B TLED. The **ACE-G10B-180CP** shall contain a battery, a high-efficiency battery charger, control circuitry, a high-efficiency two-wire universal input converter (120 through 277 Vac), high-efficiency output LED driver with soft-switching technology to prevent noise to protect the LED loads, all contained in a single metal enclosure. A separate miniature illuminated test switch status indicator with installation hardware shall be provided for the purposes of performing periodic testing and indicate status change of the battery and battery-charger. The **ACE-G10B-180CP** Emergency Lighting Power Supply for Type B TLEDs

shall be capable of delivering a constant power of 10 W to a Type B TLED load of 120 – 180 V for a minimum of 90 minutes. The **ACE-G10B-180CP** Emergency Lighting Power Supply for Type B TLEDs shall have a maximum of 7 W input power and shall comply with emergency standards established by the current NEC and shall meet CEC Title 20 (California Energy Commission) efficiency standards. The **ACE-G10B-180CP** Emergency Lighting Power Supply for Type B TLEDs shall comply with part 15 of the FCC Rules. The **ACE-G10B-180CP** Emergency Lighting Power Supply for Type B TLEDs shall be UL Listed for field or factory installation. The **ACE-G10B-180CP** is suitable for indoor and damp locations.

For questions or to place an order contact us at oemsales@aceleds.com or 800-375-6355 or your local WPG American Sales representative at inquiry@wpgamericas.com or 888-WPG8881



ACE-G10B-180CP Emergency Lighting Power Supply for Type B TLEDs

Compatible Lamps:

Lamp Number	Manufacturer	Part Number	Wattage (@ 120 Vac/60 Hz)	Emergency Output		
				Vdc	A	W
1	MaxLite	L13T8SE450-GB	13.0	56.9	0.177	10.1
2	Everlight	865CNS-GD4	13.2	84.5	0.12	10.1
3	Forest Lighting	MT8S69	17.7	75.9	0.133	10.1
4	Forest Lighting	MT8W69	17.9	79.5	0.127	10.1
5	Everlight	830CNS-GD4	18.2	88.8	0.113	10.1
6	Trunk	LT8TR203LG	18.4	88.7	0.113	10.1
7	Adata	AL-TBT8-4G-18W30	18.5	81.5	0.124	10.1
8	Trunk	LT8TR203DG	18.5	81.8	0.123	10.1
9	East Asia	LTU010-20AALS	19.1	76.3	0.132	10.1
10	East Asia	LTU010-20AADE	19.6	79.6	0.127	10.1
11	T.Shine	T54J-20-30A	19.8	72.7	0.139	10.1
12	NaturaLED	LED12T8/36FR14/840/UNV	12	N/A	N/A	10.1
13	NaturaLED	LED12T8/36FR14/850/UNV	12	N/A	N/A	10.1
14	NaturaLED	LED10.5T8/FR17/840/UNV	10.5	N/A	N/A	10.1
15	NaturaLED	LED10.5T8/FR17/850/UNV	10.5	N/A	N/A	10.1
16	NaturaLED	LED25T5/FR35/850	25	N/A	N/A	10.1
17	USLED	ST1-4-UNV-4-27A-50-GL-DE	27.9	N/A	N/A	10.1
18	USLED	ST1-14-UNV-4-10A-50-GL-DE-T8	10.5	N/A	N/A	10.1
19	USLED	ST1-7-UNV-4-10A-50-GL-DE	10.9	N/A	N/A	10.1
20	USLED	ST1-7-UNV-4-10A-50-GL	10.9	N/A	N/A	10.1

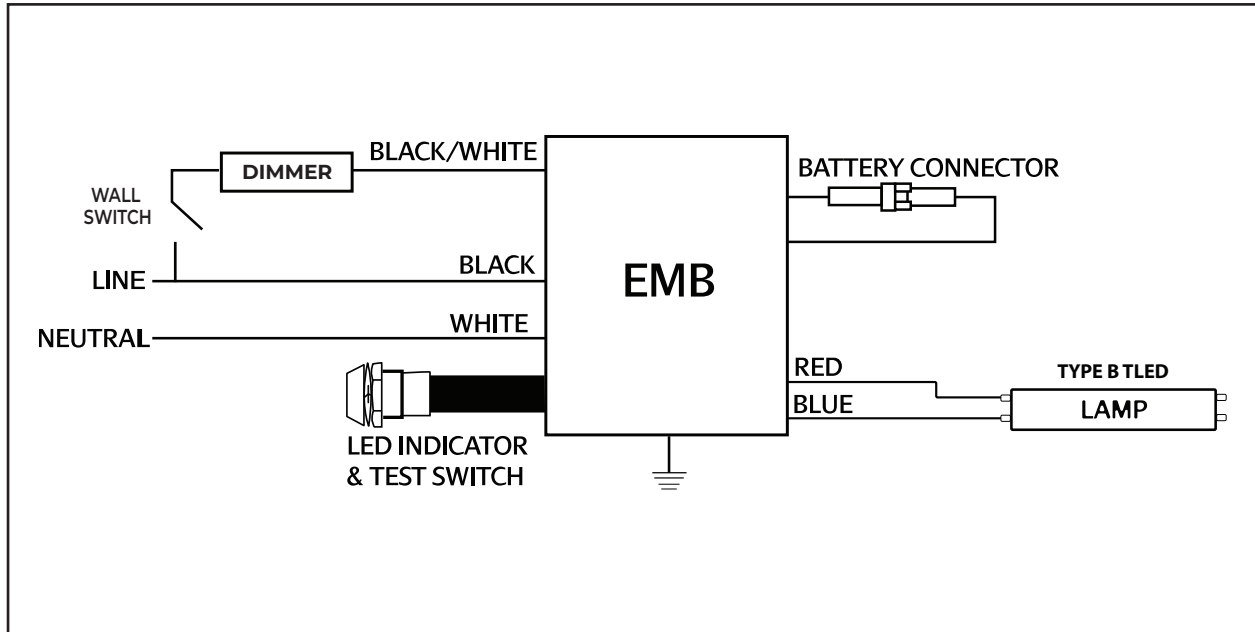
Disclaimer: Compatibility with any Type-B lamps not included on this list is not guaranteed.

For questions or to place an order contact us at oemsales@aceleds.com or 800-375-6355 or your local WPG American Sales representative at inquiry@wpgamericas.com or 888-WPG8881

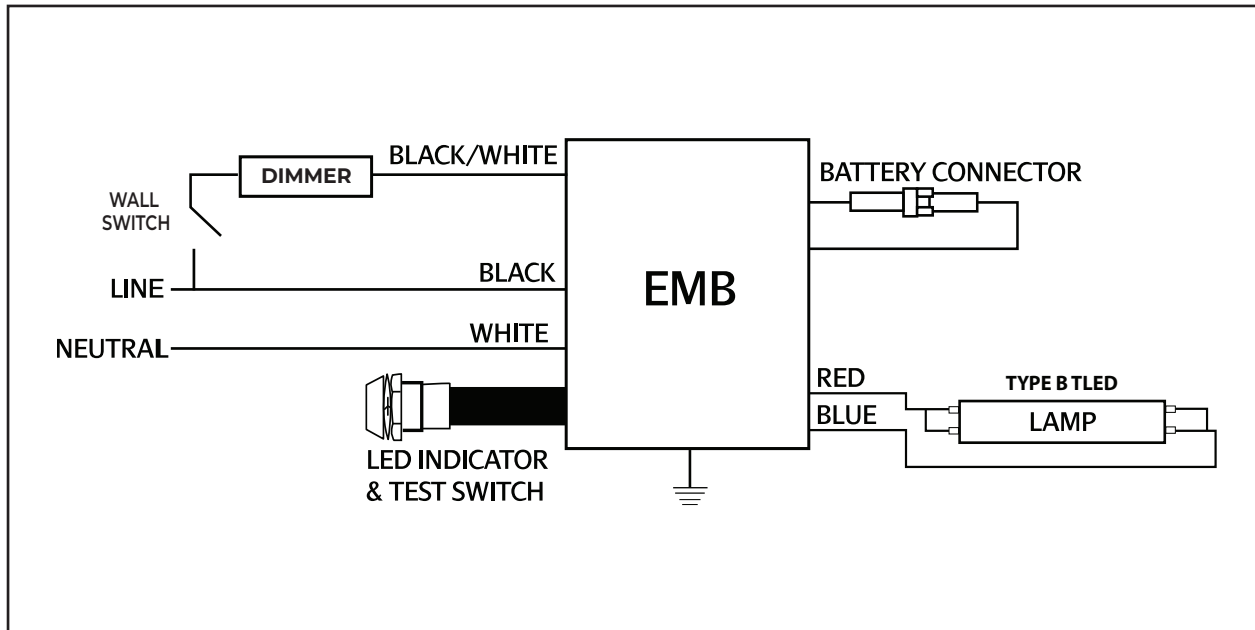


ACE-G10B-180CP Emergency Lighting Power Supply for Type B TLEDs

STYLE 1 (SINGLE-ENDED)



STYLE 2 (DOUBLE-ENDED)



*AC Electronics/AC LED Power Designs warrants to the purchaser that each Emergency LED Driver will be free from defects in material or workmanship for a period of 5 years when operated at max case temp of up to -60°C when properly installed and under normal conditions of use. See aceleds.com for complete warranty policy.

For questions or to place an order contact us at oemsales@aceleds.com or 800-375-6355 or your local WPG American Sales representative at inquiry@wpgamericas.com or 888-WPG8881