

DESCRIPTION

LBS Lighting's new Gooseneck Light is a unique decorative lighting fixture that allows you to update the look of your building. Elegant and curved goose neck arm, simple and low-key appearance design, can be well applied to a variety of architectural styles. Installation is quick and easy, and the 28W has a strong function that can support 5 color temperature adjustment.



SPECIFICATION FEATURES

Construction

- Durable surface coating powder spraying can extend the durability of the fixture.
- The integrated shell design can make good use of a variety of wet location environments.
- 5VA rated PC housing for 12W model and die-cast housing for 28W model.

Optics

- General distribution type for most environments.
- Scalable Lumen Packages from 1000 to 3000 Lumens.
- The use of advanced refraction and reflection optical design concepts provides an optimal combination of vertical and horizontal illumination.

LED Module

- Dedicated CCT 3000K 4000K and 5000K are available for 12W while the 28W offers Selectable CCTs, can be adjusted to be 2700K/3000K/4000K/5000K/6500K.

Electrical

- Line Voltage 120V for the 12W model, Universal Voltage 120-277VAC for the 28W model.
- 28W supports the standard 0-10V dimming driver configuration, 12W does not support dimming.
- Both drivers have a power factor >90%, THD <20%.
- Operating Temperature Range: -40°C to 40°C (-40°F - + 104°F).

Control

- Integrated Photocell included.

Installation

- wall mount.

Lifespan

- Estimated 50,000-hour LED lifespan based on IES LM-80 results and TM-21 calculations.

Warranty

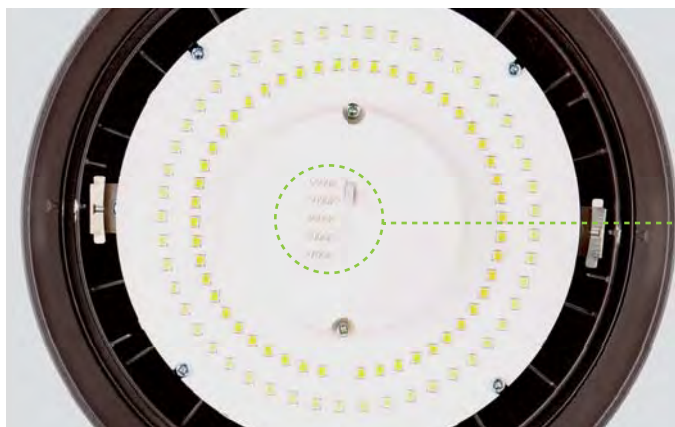
- Two-year limited warranty for 12W.
- Five-year limited warranty for 28W.

Certifications

- UL cUL wet location pending.

Note

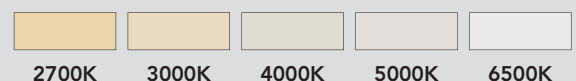
- Actual performance may differ as a result of end-user environment and application. All values are design or typical values, measured under laboratory conditions at 25°C(±5°C) specifications subject to change without notice.



CCT SELECTABLE

28W model has the function of field configurable CCTs.

CCT SELECT



Five CCTs adjustable (2700K, 3000K, 4000K, 5000K, 6500K)

PERFORMANCE DATA

| SYSTEM WATTS | VOLTAGE | CRI | 3000K | | 4000K | | 5000K | |
|--------------|---------|-----|--------|---------|--------|--------|--------|--------|
| | | | LUMENS | LPW | LUMENS | LPW | LUMENS | LPW |
| 12W | 120V | 80 | 1000lm | 83 lm/W | 1000lm | 83lm/W | 1000lm | 83lm/W |

CCT ADJUSTABLE

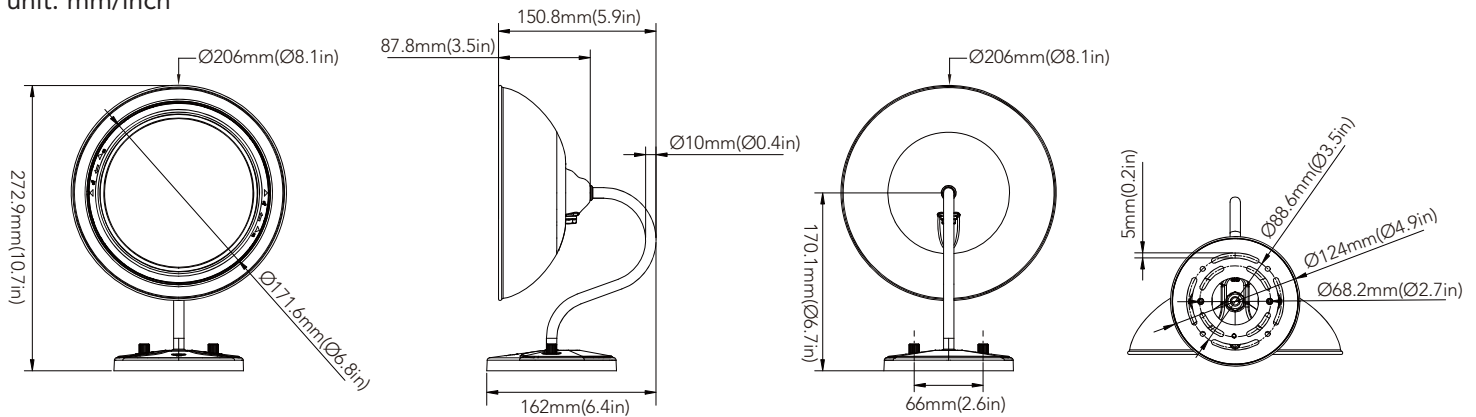
| SYSTEM WATTS | VOLTAGE | CRI | 2700K | | 3000K | | 4000K | | 5000K | | 6500K | |
|--------------|----------|-----|--------|---------|--------|---------|--------|---------|--------|---------|--------|---------|
| | | | LUMENS | LPW | LUMENS | LPW | LUMENS | LPW | LUMENS | LPW | LUMENS | LPW |
| 28W | 120-277V | 80 | 3000lm | 107lm/w | 3000lm | 107lm/w | 3000lm | 107lm/w | 3000lm | 107lm/w | 3000lm | 107lm/w |

ELECTRICAL DATA

| NUMBER OF DRIVERS | DRIVER CURRENT (mA) | NOMINAL POWER (W) | INPUT VOLTAGE (V) | CURRENT (Amps) |
|-------------------|---------------------|-------------------|-------------------|----------------|
| 1 | 450 | 28 | 120 | 0.23 |
| | | 28 | 208 | 0.13 |
| | | 28 | 240 | 0.12 |
| | | 28 | 277 | 0.10 |

DIMENSION

unit: mm/inch



Remarks: the same size for both models.

ORDERING GUIDE

Example: MGN0128W27VDDKDPY

| Fixture Type | Wattage | Input Voltage | CCT | Finish | Photocell (Option) | Internal Code |
|---------------------------------------|------------|--------------------------|---|---------------|--------------------|-----------------------|
| MGN01 Gooseneck LED fixture series | 12W 28W | 12V 120V 27V 120-277V | DDK Adjustable color temperature 30K 3000K 40K 4000K 50K 5000K | D Dark Bronze | P With Photocell | Blank Alphanumeric |

Note: 1. Single CCT 3000K, 4000K and 5000K are available for 12W, only the 28W available for DDK .
2. 12W supports 120V voltage input, 28W supports 120-277V voltage input.