

Series 64, 67, & 68

DESCRIPTION

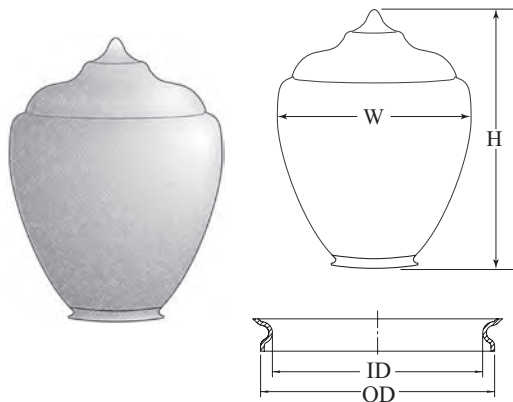
LBS Lighting textured streetlamp globes are designed for commercial and residential post top applications and are available with fitter neck and neckless openings.

MATERIALS

- **Polycarbonate** - UV stabilized with continuous operating temperature of 100°C to 125°C and high impact resistance down to -40°C, transmittance of 88% (application dependent). Polycarbonate streetlamps are available in clear.
- **Acrylic** - Impact modified and UV resistant with continuous operating temperature up to 80°C. Maximum transmittance of 92% (clear). Acrylic streetlamps are available in clear or white.
- **LD Acrylic** - Impact modified and UV resistant with continuous operating temperature up to 80°C and transmittance of 90% to 94% (application dependent).
- **Polyethylene** - Impact resistant and offers an affordable cost solution for light housings. Polyethylene streetlamps are available in white.



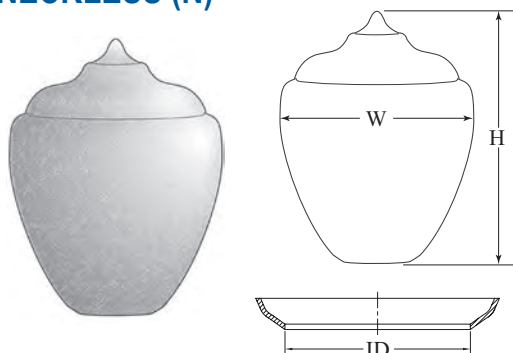
FITTER NECK (F)



ITEM NO.	HEIGHT	WIDTH	ID (NECK)	OD (NECK)	MATERIAL	COLOR
88264-CL-8F	23.00"	15.13"	7.12"	8.00"	Acrylic	Clear
88264-WH-8F	23.00"	15.13"	7.12"	8.00"	Acrylic	White
88264-LD-8F	23.00"	15.13"	7.12"	8.00"	LD Acrylic	Frost
88267-CL-6F	17.19"	11.56"	5.19"	6.00"	Acrylic	Clear
88267-LD-6F*	17.19"	11.56"	5.19"	6.00"	Acrylic	Frost
88267-CL-4F	17.60"	11.56"	3.20"	3.88"	Acrylic	Clear
88267-LD-4F*	17.60"	11.56"	3.20"	3.88"	LD Acrylic	Frost
88064-CL-8F	23.00"	15.13"	7.12"	8.00"	Polycarbonate	Clear
88067-CL-4F	17.60"	11.56"	3.20"	3.88"	Polycarbonate	Clear
88067-CL-6F	17.19"	11.56"	5.19"	6.00"	Polycarbonate	Clear
88068-CL-4F	13.55"	8.46"	3.34"	4.00"	Polycarbonate	Clear
88467-WH-4F	17.60"	11.56"	3.20"	3.88"	Polyethylene	White
88467-WH-6F	17.19"	15.63"	5.19"	6.00"	Polyethylene	White

*Minimum order quantities apply.

NECKLESS (N)



ITEM NO.	HEIGHT	WIDTH	ID (NECK)	OD (NECK)	MATERIAL	COLOR
88267-CL-5N	16.65"	11.56"	5.25"	N/A	Acrylic	Clear
88267-LD-5N*	16.65"	11.56"	5.25"	N/A	Acrylic	Frost
88067-CL-5N	16.65"	11.56"	5.25"	N/A	Polycarbonate	Clear
88467-WH-5N	16.65"	11.56"	5.25"	N/A	Polyethylene	White

*Minimum order quantities apply.