



Q Series High Bay

Product Specifications



The Q Series High Bay family features a lightweight extruded aluminum body, 2FT and 4FT length options and up to 60,000 lumens resulting in a versatile solution for endless applications. The included mounting hardware makes the Q Series High Bay quick to install and will provide a long-lasting, durable light source for years to come.

Reasons to choose the LED Q Series High Bay from TCP

- Lightweight, quick install construction
- Standard frosted lens for glare control
- No shadows for smooth, even lighting
- Damp location rated
- 250W or 400W HID equivalent
- 0-10V smooth dimming
- 50,000 hour rated life
- Wide 160° field angle beam spread reduces cave effect
- Optional controls available
- Includes 6-foot power cord

Ideal Applications

- High ceiling locations
- Commercial settings
- Industrial settings
- Warehouses



*Scan me with your phone to see the QHB in action!

TCP®
325 Campus Dr. | Aurora, Ohio 44202 | P: 800-324-1496 | tcp.com



5 YEAR WARRANTY

Not all versions of this product are qualified on the DLC QPL. To view our DLC qualified products, please consult the DLC Qualified Products List at www.designlights.org/qpl.



Q Series High Bay - 2'

Applications

The Q Series High Bay family is a versatile solution for endless applications. With a lightweight extruded aluminum body and included mounting hardware, the Q Series QHB by TCP is quick to install and will provide a long-lasting, durable light source for years to come.

Features

- Lightweight, quick install construction
- Standard frosted lens for glare control
- No shadows for smooth, even lighting
- Damp location rated
- 0-10V smooth, no-flicker dimming
- Operating temperature: -4°F to 122°F
- 250W or 400W HID equivalent
- Long 50,000 hour rated life
- LED design provides wide beam spread and clean cutoff
- Optional battery backup and motion sensors available
- Includes 6-foot power cord

Hardware Included

- 2 tong hangers
- 5' jack chains
- 6' pre-wired cord

Item Number	
Notes	Type



Listings

cULus Listed
RoHS Compliant
DLC 5.1 Standard

Warranty

Five year limited warranty against defects in manufacturing.

Installation

Before hanging installation, please consult your local ordinances and building codes.

Catalog Ordering Matrix Example: QHB2UZDA250K

FAMILY	LENGTH	VOLTAGE ³	CONTROLS	LUMEN PACKAGE (Power) ^{1,2}	CCT ⁵	FACTORY INSTALLED OPTIONS ⁴	FACTORY INSTALLED CONTROLS
QHB - Q Series High Bay	2 - 2 foot	U - 120-277V H - 347-480V C - 120-347V	ZD - 0-10V Dimming	A1 - 10,800L (80W) A2 - 14,850L (110W) E4 - 17,550L (130W) A3 - 22,275L (165W) A4 - 30,500L (220W) A5 - 36,500L (270W) ⁶	40K - 4000K 50K - 5000K	Blank - No Add-on B - Battery Backup	Blank - No controls MS1 - Microwave Motion Sensor 120-277V LS1 - PIR Motion Sensor 120V, 277V or 347V LS1D - PIR Motion/Daylight Sensor 120V, 277V or 347V LS4 - PIR Motion Sensor 240V or 480V

¹ Approximate lumen output. Actual performance may vary based on CCT, options selected and end use application

² Actual wattage may differ by +/- 10%

³ C - 120-347V is for Canada only

⁴ Battery backup outputs 3,000L when in use

⁵ Other CCT available special order. Longer lead times will apply

⁶ A5 lumen package coming soon

Field Installed Accessories

- QHB2WGUARD1 - Wire Guard for 110W Model
- QHB2WGUARD2 - Wire Guard for 130W-220W Models
- QHB2SMOUNT1 - 110W Surface Mount Kit
- QHB2SMOUNT2 - 130W-220W Surface Mount Kit



QHB2SMOUNT1/QHB2SMOUNT2 Surface Mount Kit (Shown on QHB2UZDA250K)

TCP®

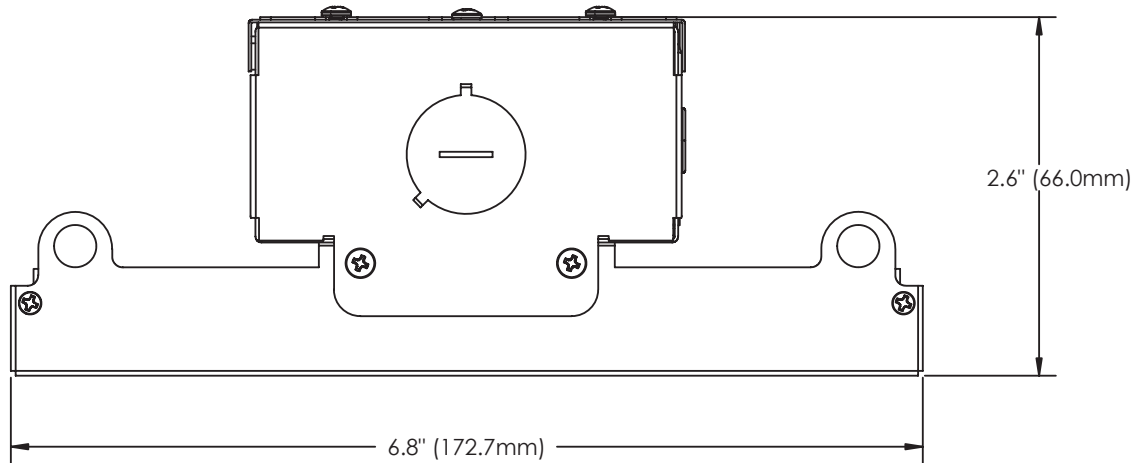
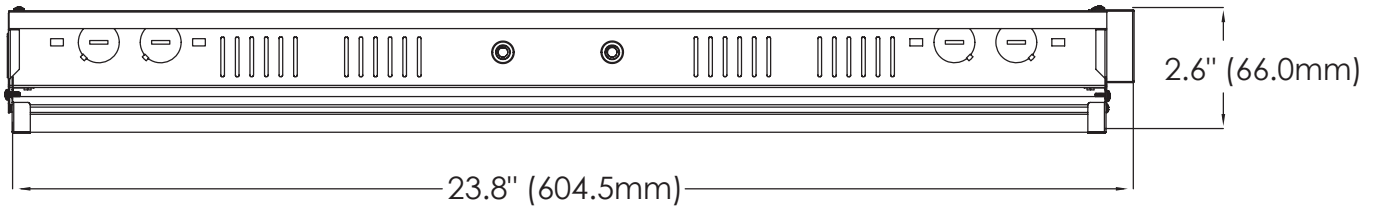
325 Campus Dr. | Aurora, Ohio 44202 | P: 800-324-1496 | tcp.com



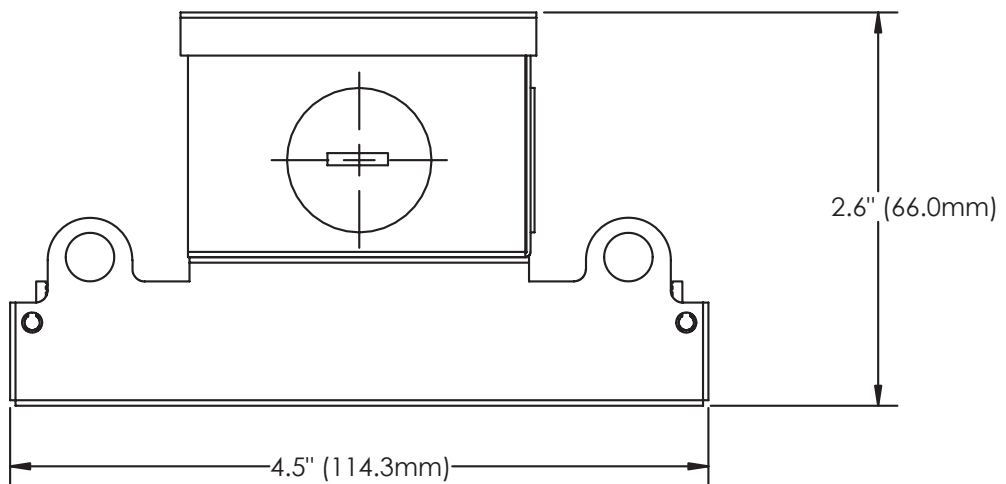
5 YEAR WARRANTY

Not all versions of this product are qualified on the DLC QPL. To view our DLC qualified products, please consult the DLC Qualified Products List at www.designlights.org/apl.

Wireline Dimensions



QHB2UZDE450K (WEIGHT: 5.84lbs), QHB2UZDA350K (WEIGHT: 6.94lbs) & QHB2UZDA450K (WEIGHT: 7.61lbs)



QHB2UZDA250K (WEIGHT: 4.85lbs)

Photometric Report

Spacing Criterion

QHB2UZDE4xxK

Spacing Criterion (0-180)	1.22
Spacing Criterion (90-270)	1.22

QHB2UZDA4xxK

Spacing Criterion (0-180)	1.22
Spacing Criterion (90-270)	1.20

QHB2UZDA3xxK

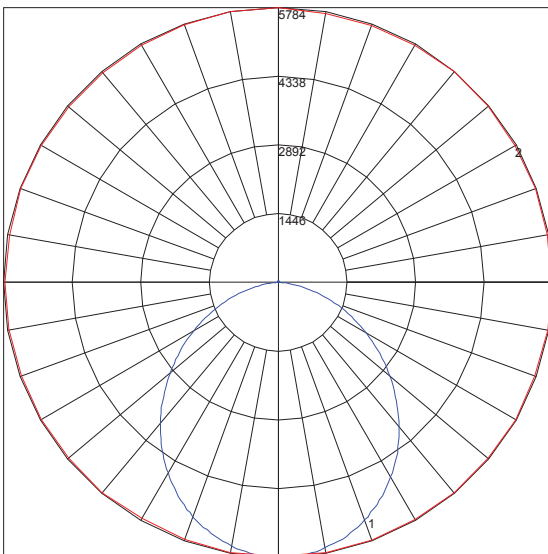
Spacing Criterion (0-180)	1.24
Spacing Criterion (90-270)	1.22

QHB2UZDA2xxK

Spacing Criterion (0-180)	1.22
Spacing Criterion (90-270)	1.24

Based on photometric data for
TCP Item # QHB2UZDA250K

Polar Graph



Maximum Candela = 5784.2 Located At Horizontal Angle = 90, Vertical Angle = 2
1 - Vertical Plane Through Horizontal Angles (90 - 270) (Through Max. Cd.)
2 - Horizontal Cone Through Vertical Angle (2) (Through Max. Cd.)

Specifications and dimensions subject to change without notice.

Coefficients of Utilization – Zonal Cavity Method

Effective Floor Cavity Reflectance 0.20

RC	80				70				50				30				10				0
RW	70	50	30	10	70	50	30	10	50	30	10	50	30	10	50	30	10	50	30	10	0
0	118	118	118	118	115	115	115	115	110	110	110	105	105	105	100	100	100	100	100	100	98
1	108	104	100	96	106	101	98	94	97	94	91	92	90	87	88	86	84	82	82	82	82
2	99	91	84	79	96	89	83	78	85	80	75	81	77	73	78	74	71	69	69	69	69
3	90	80	72	66	88	78	71	65	75	69	64	72	67	62	69	65	61	59	59	59	59
4	83	71	63	56	80	70	62	55	67	60	54	64	58	53	62	57	52	50	50	50	50
5	76	64	55	48	74	62	54	48	60	53	47	58	52	47	56	50	46	44	44	44	44
6	71	57	49	42	69	56	48	42	54	47	42	52	46	41	51	45	40	38	38	38	38
7	65	52	44	38	64	51	43	37	50	42	37	48	41	36	46	40	36	34	34	34	34
8	61	48	39	34	59	47	39	33	45	38	33	44	37	33	43	37	32	30	30	30	30
9	57	44	36	30	56	43	35	30	42	35	30	41	34	30	39	34	29	27	27	27	27
10	54	40	33	28	52	40	32	27	39	32	27	38	31	27	37	31	27	25	25	25	25

Zonal Lumen Summary

Zone	Lumens	%Lamp	%Fixt
0-20	2091.37	N.A.	13.70
0-30	4392.26	N.A.	28.70
0-40	7081.78	N.A.	46.30
0-60	12047.92	N.A.	78.70
0-80	14652.39	N.A.	95.80
0-90	14922.37	N.A.	97.50
10-90	14377.93	N.A.	94.00
20-40	4990.42	N.A.	32.60
20-50	7660.38	N.A.	50.10
40-70	6640.53	N.A.	43.40
60-80	2604.47	N.A.	17.00
70-80	930.07	N.A.	6.10
80-90	269.98	N.A.	1.80
90-110	159.35	N.A.	1.00
90-120	224.87	N.A.	1.50
90-130	278.54	N.A.	1.80
90-150	349.58	N.A.	2.30
90-180	380.35	N.A.	2.50
110-180	221.00	N.A.	1.40
0-180	15302.72	N.A.	100.00

Total Luminaire Efficiency = N.A.%

Average Luminance candelas/square meter (cd/sq.m)

Angle In Degrees	Average 0-Deg	Average 45-Deg	Average 90-Deg
45	74205	66677	65051
55	67501	58054	55694
65	60232	47918	44695
75	52168	35229	30270
85	41658	16454	9197

Applications

The Q Series High Bay family is a versatile solution for endless applications. With a lightweight extruded aluminum body and included mounting hardware, the Q Series QHB by TCP is quick to install and will provide a long-lasting durable light source for years to come.

Features

- Lightweight, quick install construction
- Standard frosted lens for glare control
- No shadows for smooth, even lighting
- Damp location rated
- 0-10V smooth, no-flicker dimming
- Operating temperature: -4°F to 122°F
- 250W or 400W HID equivalent
- Long 50,000 hour rated life
- LED design provides wide beam spread and clean cutoff
- Optional battery backup and motion sensors available
- Includes 6-foot power cord

Hardware Included

- 2 tong hangers
- 5' jack chains
- 6' pre-wired cord

Item Number	
Notes	Type



Listings

cULus Listed
RoHS Compliant
DLC 5.1 Standard

Warranty

Five year limited warranty against defects in manufacturing.

Installation

Before hanging installation, please consult your local ordinances and building codes.

Catalog Ordering Matrix Example: QHB4UZDA450K

FAMILY	LENGTH	VOLTAGE ³	CONTROLS	LUMEN PACKAGE (Power) ^{1,2}	CCT ⁵	FACTORY INSTALLED OPTIONS ⁴	FACTORY INSTALLED CONTROLS ⁶
QHB - Q Series High Bay	4 - 4 foot	U - 120-277V H - 347-480V C - 120-347V	ZD - 0-10V Dimming	A1 - 10,800L (80W) ^{7,8} B2 - 14,850L (110W) ⁸ A4 - 30,500L (220W) A5 - 36,500L (270W) A6 - 44,550L (330W) A8 - 60,000L (440W) ⁷	40K - 4000K 50K - 5000K	Blank - No Add-on B - Battery Backup	Blank - No controls MS1 - Microwave Motion Sensor 120-277V LS1 - PIR Motion Sensor 120V, 277V or 347V LS1D - PIR Motion/Daylight Sensor 120V, 277V or 347V LS4 - PIR Motion Sensor 240V or 480V

¹ Approximate lumen output. Actual performance may vary based on CCT, options selected and end use application
² Actual wattage may differ by +/- 10%
³ C - 120-347V is for Canada only
⁴ Battery backup outputs 3,000L when in use
⁵ Other CCT available special order. Longer lead times will apply
⁶ QHB4 B2 lumen package is not compatible with any of the listed controls. Control solution coming soon
⁷ A8 lumen package coming soon
⁸ Battery back up not available on 80W and 110W

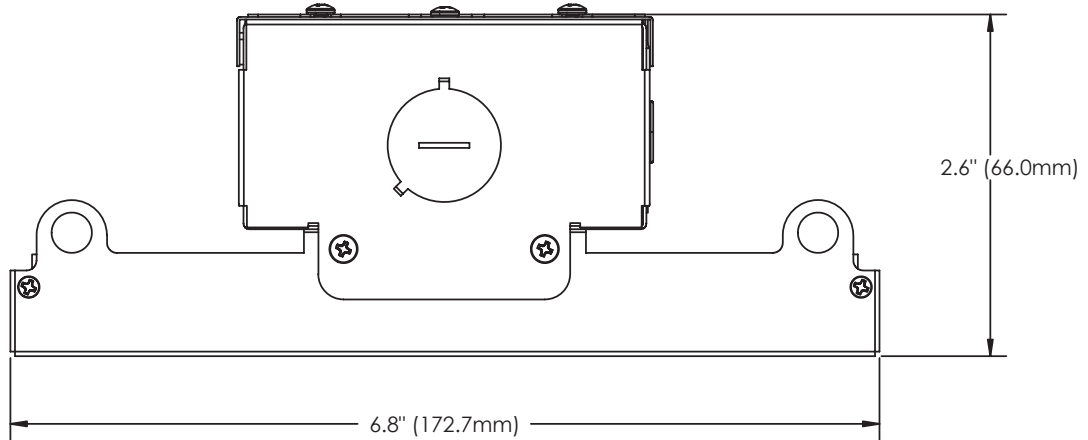
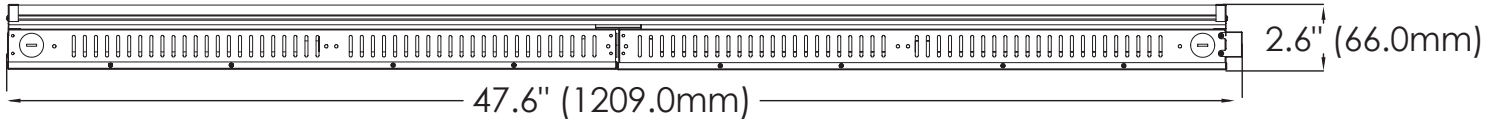
Field Installed Accessories

- QHB4WGUARD1 - Wire Guard for 220W Model
- QHB4WGUARD2 - Wire Guard for 330W-440W Models
- QHB4SMOUNT1 - 220W Surface Mount Kit
- QHB4SMOUNT2 - 330W-440W Surface Mount Kit

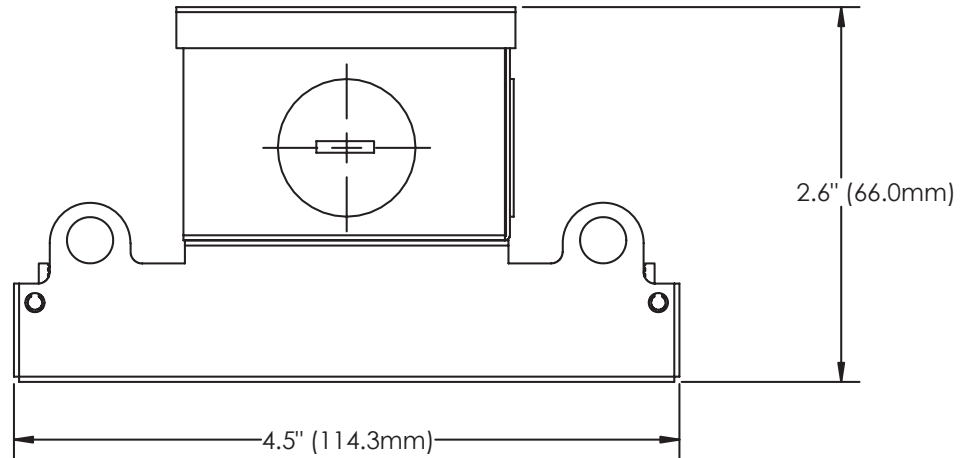


QHB4SMOUNT1/QHB4SMOUNT2 Surface Mount Kit
(Shown on QHB4UZDA450K)

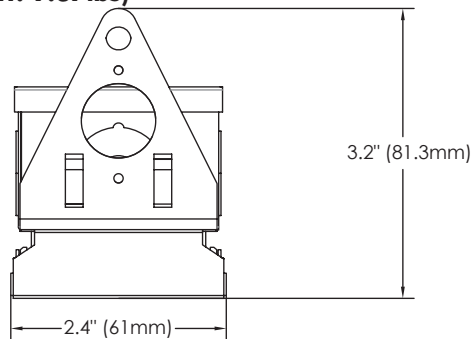
Wireline Dimensions



QHB4UZDA650K (WEIGHT: 12.35lbs) & QHB4UZDA850K (WEIGHT: 14.33lbs)



QHB4UZDA450K (WEIGHT: 9.37lbs)



QHB4UZDB250K (WEIGHT: 5.5lbs)

Photometric Report

Spacing Criterion

QHB4UZDA8XXK

Spacing Criterion (0-180)	1.18
Spacing Criterion (90-270)	1.28

QHB4UZDA6XXK

Spacing Criterion (0-180)	1.20
Spacing Criterion (90-270)	1.26

QHB4UZDA4XXK

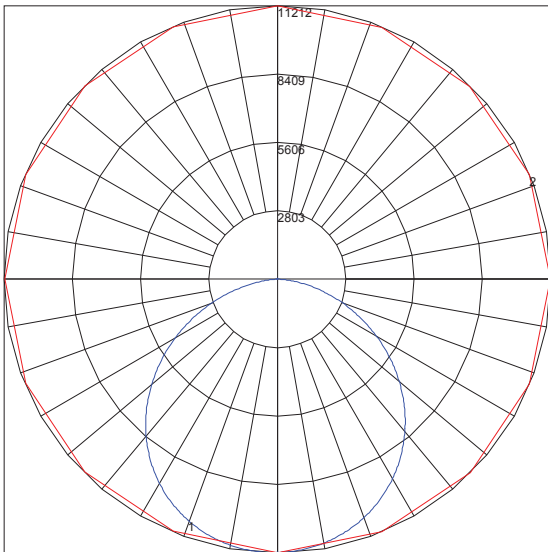
Spacing Criterion (0-180)	1.24
Spacing Criterion (90-270)	1.26

QHB4UZDA2XXK

Spacing Criterion (0-180)	1.14
Spacing Criterion (90-270)	1.26

Based on photometric data for
TCP Item # QHB4UZDA450K

Polar Graph



Maximum Candela = 11211.84 Located At Horizontal Angle = 270, Vertical Angle = 1.5
1 - Vertical Plane Through Horizontal Angles (270 - 90) (Through Max. Cd.)
2 - Horizontal Cone Through Vertical Angle (1.5) (Through Max. Cd.)

Specifications and dimensions subject to change without notice.

Coefficients of Utilization – Zonal Cavity Method

Effective Floor Cavity Reflectance 0.20

RC	80				70				50				30				10				0
RW	70	50	30	10	70	50	30	10	50	30	10	50	30	10	50	30	10	50	30	10	0
0	119	119	119	119	116	116	116	116	111	111	111	106	106	106	101	101	101	101	101	101	99
1	109	104	100	96	106	102	98	94	97	94	91	93	91	88	89	87	86	89	87	86	83
2	99	91	84	79	96	89	83	78	85	80	76	82	78	74	79	75	72	79	75	72	70
3	90	80	72	66	88	78	71	65	75	69	64	72	67	62	70	65	61	69	65	61	59
4	83	71	62	56	80	70	61	55	67	60	54	65	58	54	62	57	53	62	57	53	51
5	76	63	55	48	74	62	54	48	60	53	47	58	52	47	56	50	46	56	50	46	44
6	70	57	48	42	68	56	48	42	54	47	41	53	46	41	51	45	40	51	45	40	38
7	65	52	43	37	64	51	43	37	49	42	37	48	41	36	46	41	36	46	41	36	34
8	61	47	39	33	59	47	39	33	45	38	33	44	37	33	43	37	32	43	37	32	30
9	57	44	35	30	55	43	35	30	42	35	30	41	34	29	39	34	29	39	34	29	27
10	53	40	32	27	52	40	32	27	39	32	27	38	31	27	37	31	27	37	31	27	25

Zonal Lumen Summary

Zone	Lumens	%Lamp	%Fixt
0-20	4085.91	N.A.	13.40
0-30	8642.5	N.A.	28.30
0-40	14055.31	N.A.	46.00
0-60	24310.29	N.A.	79.50
0-80	29758.37	N.A.	97.30
0-90	30283.78	N.A.	99.10
10-90	29924.94	N.A.	95.60
20-40	9969.4	N.A.	32.60
20-50	15444.02	N.A.	50.50
40-70	13766.65	N.A.	45.00
60-80	5448.08	N.A.	17.80
70-80	1936.42	N.A.	6.30
80-90	525.41	N.A.	1.70
90-110	113.04	N.A.	0.40
90-120	162.41	N.A.	0.50
90-130	204.40	N.A.	0.70
90-150	262.56	N.A.	0.90
90-180	288.95	N.A.	0.90
110-180	175.90	N.A.	0.60
0-180	30582.73	N.A.	100.00

Total Luminaire Efficiency = N.A.%

Average Luminance candelas/square meter (cd/sq.m)

Angle In Degrees	Average 0-Deg	Average 45-Deg	Average 90-Deg
45	65018	60624	61094
55	59688	53883	54434
65	53476	45458	45280
75	45231	33546	32163
85	33780	15034	10786

TECHNOLOGY CAST IN A BEAUTIFUL LIGHT

For over 20 years, TCP has been designing, developing and delivering energy-efficient lighting into the market. Thanks to our cutting-edge technology and manufacturing expertise, we have shipped billions of high quality lighting products. With TCP, you can count on a lighting product that is designed to meet the needs of the market - that transforms your surroundings and envelopes you in warmth - lighting that generates beauty with every flip of the switch.

Sales:

Date:

Model:

Project:

Rep:

Catalog Number:

Type:

Notes:



For more information on the quality and care TCP can deliver, call us at **800.324.1496** or visit tcp.com

325 Campus Dr. | Aurora, Ohio 44202 | P: 800.324.1496 | F: 877.487.0516