

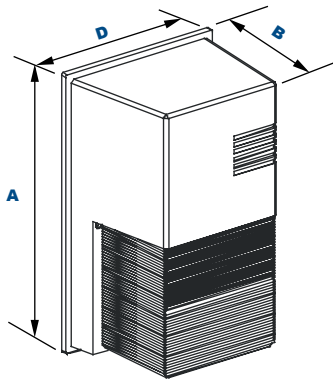


WP14Q

L70
25°C

165,000 Hours

AmberLED Polycarbonate Mini Wall Pack



Dimensions

Width (D)	6¼" (172mm)
Length (B)	5¼" (133mm)
Height (A)	18½" (470mm)

AmberLED Technology

The LEPG Amber WP14Q general purpose wall pack luminaire provides optically controlled wide spread light distribution designed to replace HID lighting systems up to 70w MH or HPS for wildlife or security applications requiring monochromatic AMBER light. LEDs operate between 585 and 595 nm, greater than 560nm required for wildlife protection. Typical wall mounted lighting applications include retail centers, industrial parks, schools and universities, public transit and airports, office buildings and medical facilities. Mounting heights of 8 to 15 feet can be used based on light level and uniformity requirements.

Specifications and Features:

Housing:

Die Cast Aluminum Back Plate with Cast-in Template for Mounting Over an Electrical Box and Conduit Access on the Bottom. Aluminum Reflector. 120V Photocell Included. Fixture is for wired 120V Standard.

Listing & Ratings:

CSA: Listed for Wet Locations, ANSI/UL 1598, 8750; IP65 Sealed LED Compartment.

Finish:

Bronze Polycarbonate Front Housing with Clear Prismatic Lens Area.

Lens:

Molded Prismatic Polycarbonate Lens & Front Housing.

Mounting Options:

Cast-in Template for Mounting Directly Over a 4" Recessed Outlet Box, or Use ½" Surface Conduit.

AmberLED LED:

Aluminum Boards

Wattage:

Array: 12.6w, System: 14.1w; (70w HID Equivalent)

Driver:

Electronic Driver, 120-277V, 50/60Hz; Less Than 20% THD and PF>0.90. Standard Internal Surge Protection 2kV. 0-10V Dimming Standard for a Dimming Range of 100% to 10%; Dimming Source Current is 150 Microamps.

Controls:

Fixtures Ordered with Factory-Installed Photocell or Motion Sensor Controls are Internally Wired for Switching and/or 1-10V Dimming Within the Housing. Remote Direct Wired Interface of 1-10V Dimming is Not Implied and May Not Be Available, Please Consult Factory. Fixtures are Tested with LEPG Controls and May Not Function Properly With Controls Supplied By Others. Fixtures are NOT Designed for Use with Line Voltage Dimmers.

Warranty:

5-Year Warranty for -40°C to +40°C Environment.

See Page 2 for Projected Lumen Maintenance Table.

AmberLED

Order Information Example:

WP14QF1X13UAMZSF

WP14Q	F	1X13	U	AM		
Model	Optics	Wattage	Driver	CCT	Color	Options
WP14Q= AmberLED Polycarbonate Mini Wall Pack	F=Type IV	1X13=13w	U=120-277V	AM=Amber	Z=Bronze C=Custom (Consult Factory)	SF=Single Fuse (120-277V Only) DF=Double Fuse (120-277V Only)

Project Information:

Project Name: _____ Fixture Type: _____

Complete Catalog #: _____ Date: _____

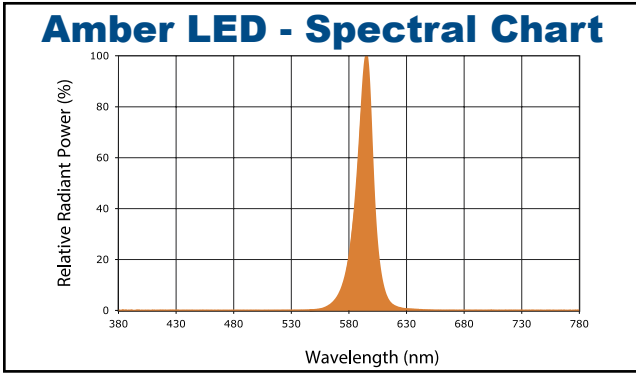
Comments: _____

Certification & Listings:



Specifications subject to change without notice.

Photometric Data



Photometric Performance

LED Board Watts	Drive Current (mA)	Input Watts	Optics
AmberLED 13w	116	14	Type IV

Projected Lumen Maintenance

Data shown for 5000 CCT		Compare to MH					
TM-21-11	Input Watts	Initial	25,000 Hrs	50,000 Hrs	100,000 Hrs	Calculated L70@ 25°C	
L70 Lumen Maintenance @ 25°C / 77°F	14	1.00	0.95	0.91	0.82	165,000	
TM-21-11	Input Watts	Initial	25,000 Hrs	50,000 Hrs	100,000 Hrs	Calculated L70@ 50°C	
L70 Lumen Maintenance @ 50°C / 122°F	14	1.00	0.92	0.84	0.69	96,000	
TM-21-11	Input Watts	Initial	25,000 Hrs	50,000 Hrs	100,000 Hrs	Calculated L80@ 40°C	
L80 Lumen Maintenance @ 40°C / 104°F	14	1.00	0.93	0.86	0.73	74,000	

NOTES:

1. Projected per IESNA TM-21-11. Data references the extrapolated performance projections for the 116mA base model in a 25°C ambient, based on 10,000 hours of LED testing per IESNA LM-80-08.
2. Compare to MH box indicates suggested Light Loss Factor (LLF) to be used when comparing to Metal Halide (MH) systems.